

Honeywell

Xenon™ / Granit™

Xenon 1900, 1900h, 1910, 1902, 1902h, 1912,
1902g-BF

Granit 1910i, 1911i, 1980i, 1981i
Area-Imaging Scanners



User Guide

Disclaimer

Honeywell International Inc. ("HII") reserves the right to make changes in specifications and other information contained in this document without prior notice, and the reader should in all cases consult HII to determine whether any such changes have been made. The information in this publication does not represent a commitment on the part of HII.

HII shall not be liable for technical or editorial errors or omissions contained herein; nor for incidental or consequential damages resulting from the furnishing, performance, or use of this material. HII disclaims all responsibility for the selection and use of software and/or hardware to achieve intended results.

This document contains proprietary information that is protected by copyright. All rights are reserved. No part of this document may be photocopied, reproduced, or translated into another language without the prior written consent of HII.

© 2010-2017 Honeywell International Inc. All rights reserved.

Web Address: www.honeywellaidc.com

Microsoft® Windows®, Windows NT®, Windows 2000, Windows ME, Windows XP, and the Windows logo are trademarks or registered trademarks of Microsoft Corporation.

The Bluetooth® word mark and logos are owned by Bluetooth SIG, Inc.

Other product names or marks mentioned in this document may be trademarks or registered trademarks of other companies and are the property of their respective owners.

For patent information, refer to www.hsmpats.com.

TABLE OF CONTENTS

Customer Support	xvii
Technical Assistance	xvii
Product Service and Repair	xvii
Limited Warranty	xvii
Send Feedback	xvii
Chapter 1 - Get Started	1
About This Manual.....	1
Unpack Your Device.....	1
Connect the Device.....	1
Connect with USB.....	1
Connect with Keyboard Wedge	4
Connect with RS232 Serial Port	6
Connect with RS485.....	8
Mount a CCB01-010BT Charge Base	9
Mount a CCB02-100BT/CCB05-100BT Base	9
Reading Techniques.....	11
Xenon 1900/1902/1910/1912 and Granit 1910i/1911i	11
Granit 1980i/1981i.....	11
Menu Bar Code Security Settings.....	12
Set Custom Defaults	12
Reset the Custom Defaults.....	13
Chapter 2 - Program the Interface	15
Introduction.....	15

Program the Interface - Plug and Play	15
Keyboard Wedge	15
Laptop Direct Connect	16
RS232 Serial Port.....	16
RS485	16
RS485 Packet Mode.....	17
USB IBM SurePos	18
USB PC or Macintosh Keyboard	18
USB HID.....	19
USB Serial.....	19
CTS/RTS Emulation	19
ACK/NAK Mode.....	20
Remote MasterMind™ for USB	20
Verifone® Ruby Terminal.....	20
Gilbarco® Terminal.....	21
Honeywell Bioptic Aux Port	21
Datalogic™ Magellan® Aux Port.....	21
NCR Bioptic Aux Port.....	22
Wincor Nixdorf Terminal.....	22
Wincor Nixdorf Beetle™ Terminal	22
Wincor Nixdorf RS232 Mode A.....	23
Keyboard Country Layout.....	23
Keyboard Style	30
Keyboard Conversion	32
Control Character Output.....	32
Keyboard Modifiers	33
RS232 Modifiers	34
RS232 Baud Rate	34
RS232 Word Length: Data Bits, Stop Bits, and Parity	35
RS232 Receiver Time-Out	36
RS232 Handshake	37

RS232 Timeout.....	37
XON/XOFF	38
ACK/NAK.....	38
Scanner to Bioptic Communication	38
Scanner-Biopic Packet Mode.....	39
Scanner-Biopic ACK/NAK Mode.....	39
Scanner-Biopic ACK/NAK Timeout	39

Chapter 3 - Cordless System Operation: Xenon 1902g/1912 and Granit 1911i/1981i.....41

How the Cordless Charge Base/Access Point Works.....	41
Link the Scanner to a Charge Base.....	41
Link the Scanner to an Access Point	42
Replace a Linked Scanner	43
Communication Between the Cordless System and the Host.....	43
Program the Scanner and Base or Access Point	44
RF (Radio Frequency) Module Operation.....	44
System Conditions.....	44
Page Button.....	45
Page Button and Presentation Modes	46
Temporary Streaming Presentation Timeout.....	46
About the Battery	47
Charge Information	47
Battery Recommendations.....	47
Safety Precautions for Lithium Batteries.....	48
Proper Disposal of the Battery	48
Beeper and LED Sequences and Meaning	48
Scanner LED Sequences and Meaning.....	49
Base/Access Point LED Sequences and Meaning	49
Base Power Communication Indicator	50
Reset Scanner.....	50
Scan While in Base Cradle.....	50

Base Charge Modes	51
Page	51
Page Mode	51
Page Pitch	52
Error Indicators.....	52
Beeper Pitch - Base Error.....	52
Number of Beeps - Base Error	53
Scanner Report.....	53
Scanner Address	53
Base or Access Point Address	54
Scanner Modes.....	54
Charge Only Mode	54
Charge and Link Mode.....	54
Linked Modes	55
Unlink the Scanner.....	55
Override Locked Scanner	56
Out-of-Range Alarm.....	56
Alarm Sound Type	56
Scanner Power Time-Out Timer.....	57
Flexible Power Management.....	58
Batch Mode.....	59
Batch Mode Beep	60
Batch Mode Storage	60
Batch Mode Quantity.....	61
Enter Quantities.....	61
Batch Mode Output Order	63
Total Records.....	63
Delete Last Code	64
Clear All Codes	64
Transmit Records to Host	64
Batch Mode Transmit Delay.....	64
Multiple Scanner Operation	65
Scanner Name	65

Application Work Groups	67
Application Work Group Selection	67
Reset the Factory Defaults: All Application Work Groups	68
Reset the Custom Defaults: All Application Work Groups	69
Use the Scanner with Bluetooth Devices.....	69
Bluetooth Secure Simple Pairing (SSP).....	69
Bluetooth HID Keyboard Connect.....	70
Virtual Keyboard.....	71
Bluetooth HID Keyboard Disconnect.....	71
Bluetooth Serial Port - PCs/Laptops.....	72
PDAs/Mobility Systems Devices	72
Change the Scanner's Bluetooth PIN Code	72
Minimize Bluetooth/ISM Band Network Activity	72
Auto Reconnect Mode	73
Maximum Link Attempts	73
Relink Time-Out	74
Bluetooth/ISM Network Activity Examples.....	75
Host Acknowledgment.....	75
Host ACK On/Off	77
Host ACK Timeout	77
Host ACK Responses	77

Chapter 4 - Cordless System Operation: Xenon 1902g-BF 79

How the CCB01-010BT-BF Cordless Charge Base Works	79
Link the Scanner to a Charge Base.....	80
Replace a Linked Scanner	80
Communication Between the Cordless System and the Host.....	81
Program the Scanner and Base.....	81
RF (Radio Frequency) Module Operation.....	81
System Conditions.....	82
About the Instant Charge Pack.....	83
Charge Information	83

Beeper and LED Sequences and Meaning.....	83
Scanner	84
Low Power Alerts.....	84
Low Power Alert Range	85
Low Power Alert Flash Number	85
Low Power Alert Repeat.....	85
Low Power Alert Beep.....	86
Base.....	86
Base Communication and Scanning	86
Base Charge Status	87
Base Power Communication Indicator.....	87
Reset Scanner	87
Base Charge Modes.....	88
Page Button with Scanner Out of the Base.....	88
Page Button with Scanner in the Base.....	89
Temporary Streaming Presentation Timeout.....	89
Scan While in Base Cradle.....	90
Paging	90
Page Mode	90
Page Pitch	91
Linking Sound.....	91
Error Indicators.....	91
Beeper Pitch - Base Error.....	91
Number of Beeps - Base Error	92
Scanner Report.....	92
Scanner Address	92
Base Address	93
Scanner Modes.....	93
Charge Only Mode.....	93
Charge and Link Mode.....	93
Linked Modes	93
Unlink the Scanner.....	94
Override Locked Scanner.....	95

Out-of-Range Alarm	95
Alarm Sound Type	95
Scanner Power Time-Out Timer	96
Flexible Power Management	97
Batch Mode	98
Batch Mode Beep	99
Batch Mode Storage	99
Batch Mode Quantity	100
Enter Quantities	100
Batch Mode Output Order	102
Total Records	102
Delete Last Code	102
Clear All Codes	103
Transmit Records to Host	103
Batch Mode Transmit Delay	103
Scanner Name	104
Change the Scanner's Bluetooth PIN Code	105
Minimize Bluetooth/ISM Band Network Activity	105
Auto Reconnect Mode	105
Maximum Link Attempts	106
Relink Time-Out	107
Bluetooth/ISM Network Activity Examples	107
Host Acknowledgment	108
Host ACK On/Off	109
Host ACK Timeout	109
Host ACK Responses	110

Chapter 5 - Input/Output Settings 111

Power Up Beeper	111
Beep on BEL Character	112
Trigger Click	112
Good Read and Error Indicators	112
Beeper – Good Read	112

Beeper Volume – Good Read	113
Beeper Pitch – Good Read	113
Vibrate – Good Read.....	113
Beeper Pitch – Error	114
Beeper Duration – Good Read.....	115
LED – Good Read	115
Number of Beeps – Good Read.....	115
Number of Beeps – Error.....	115
Beeper Volume Max	116
Good Read Delay	116
User-Specified Good Read Delay.....	117
Trigger Modes	117
Manual Trigger.....	117
Trigger Toggle	117
Serial Trigger	119
Read Time-Out.....	119
Presentation Mode.....	120
Presentation LED Behavior after Decode.....	120
Presentation Sensitivity.....	120
Presentation Centering.....	121
In-Stand Sensor Mode.....	122
Poor Quality Codes.....	123
Poor Quality 1D Codes	123
Poor Quality PDF Codes	123
CodeGate®	124
Streaming Presentation™ Mode.....	124
Streaming Presentation In-Stand	125
Mobile Phone Read Mode	125
Hands Free Time-Out.....	126
Reread Delay.....	126
User-Specified Reread Delay.....	127
2D Reread Delay	127
Character Activation	127

Activation Character.....	128
End Character Activation After Good Read.....	128
Character Activation Timeout.....	129
Character Deactivation.....	129
Deactivation Character.....	129
Illumination Lights.....	130
Aimer Delay.....	130
User-Specified Aimer Delay.....	131
Aimer Mode.....	131
Centering.....	131
Single Code Centering.....	132
Custom Centering.....	132
Preferred Symbology.....	134
High Priority Symbology.....	135
Low Priority Symbology.....	135
Preferred Symbology Time-out.....	135
Preferred Symbology Default.....	136
Output Sequence Overview.....	136
Output Sequence Editor.....	136
To Add an Output Sequence.....	136
Other Programming Selections.....	137
Output Sequence Example.....	137
Output Sequence Editor.....	138
Partial Sequence.....	138
Require Output Sequence.....	139
Multiple Symbols.....	139
No Read.....	140
Video Reverse.....	140
Working Orientation.....	141

Chapter 6 - Healthcare Settings 143

Quiet Operations - Combination Codes.....	143
Silent Mode with Flashing LED.....	143

Silent Mode with Long LED	144
Very Low Beeper (Nighttime Mode).....	144
Low Beeper (Daytime Mode)	145
Quiet Operations - LED and Volume Settings	145
Linking LED Colors and Sound	145
Number of LED Flashes	146
LED Flash Rate.....	146
LED Solid (No Flash).....	147
Page Volume Control.....	147
Out-of-Range Alarm Volume.....	148
Out-of-Range Delay.....	149

Chapter 7 - Data Edit151

Prefix/Suffix Overview	151
Points to Keep In Mind.....	151
Add a Prefix or Suffix:.....	152
Example: Add a Tab Suffix to All Symbologies.....	152
Clear One or All Prefixes or Suffixes	152
Add a Carriage Return Suffix to All Symbologies	153
Prefix Selections.....	153
Suffix Selections.....	153
Function Code Transmit.....	154
Intercharacter, Interfunction, and Intermessage Delays.....	154
Intercharacter Delay	154
User Specified Intercharacter Delay.....	155
Interfunction Delay	155
Intermessage Delay.....	156

Chapter 8 - Data Format157

Data Format Editor Introduction.....	157
Add a Data Format.....	158
Other Programming Selections.....	159
Terminal ID Table.....	160

Data Format Editor Commands	160
Send Commands	160
Move Commands.....	165
Search Commands.....	167
Miscellaneous Commands	169
Data Formatter.....	173
Data Format Non-Match Error Tone.....	174
Primary/Alternate Data Formats	175
Single Scan Data Format Change.....	175

Chapter 9 - Symbologies.....177

All Symbologies.....	178
Message Length Description	178
Codabar.....	179
Code 39	181
Interleaved 2 of 5.....	185
NEC 2 of 5	186
NEC 2 of 5 Message Length	187
Code 93	187
Straight 2 of 5 Industrial (three-bar start/stop)	189
Straight 2 of 5 IATA (two-bar start/stop)	190
Straight 2 of 5 IATA Redundancy.....	190
Matrix 2 of 5	191
Code 11	192
Code 128	193
ISBT 128 Concatenation.....	193
Code 128 Redundancy.....	193
GS1-128	195
Telepen	196
UPC-A	197
UPC-A/EAN-13 with Extended Coupon Code	199
Coupon GS1 DataBar Output.....	200

UPC-E0	201
UPC-E0 Addenda Required.....	201
UPC-E1	203
EAN/JAN-13	204
EAN/JAN-13 Addenda Separator	206
ISBN Translate.....	206
EAN/JAN-8	207
MSI.....	209
GS1 DataBar Omnidirectional.....	211
GS1 DataBar Limited	211
GS1 DataBar Expanded	212
Trioptic Code.....	212
Codablock A	213
Codablock F	214
Label Code.....	214
PDF417	215
MacroPDF417	216
MicroPDF417	216
GS1 Composite Codes	217
GS1 Emulation.....	218
TCIF Linked Code 39 (TLC39)	219
QR Code.....	219
Data Matrix.....	221
MaxiCode	222
Aztec Code	223
Chinese Sensible (Han Xin) Code	224
Postal Codes - 2D	225
Planet Code Check Digit.....	229
Postnet Check Digit.....	229
Australian Post Interpretation.....	229
Postal Codes - Linear	230
China Post (Hong Kong 2 of 5)	230

Korea Post.....	231
.....	232
Chapter 10 - Imaging Commands.....	233
Single-Use Basis	233
Command Syntax.....	233
Image Snap - IMGSNP.....	234
IMGSNP Modifiers	234
Image Ship - IMGSHIP	237
IMGSHIP Modifiers	238
Image Size Compatibility.....	246
Intelligent Signature Capture - IMGBOX.....	247
Signature Capture Optimize	247
IMGBOX Modifiers	248
RF Default Imaging Device	252
Chapter 11 - Utilities	253
To Add a Test Code I.D. Prefix to All Symbologies.....	253
Show Decoder Revision	253
Show Scan Driver Revision.....	253
Show Software Revision	254
Show Data Format	254
Test Menu.....	254
TotalFreedom.....	254
Application Plug-Ins (Apps).....	255
EZConfig Cloud for Scanning Introduction.....	255
EZConfig Cloud for Scanning Operations.....	256
Install EZConfig Cloud for Scanning	256
Reset the Factory Defaults	257
Chapter 12 - Serial Programming Commands.....	259
Conventions	259

Menu Command Syntax	259
Query Commands.....	260
Trigger Commands.....	262
Reset the Custom Defaults	263
Menu Commands	264

Chapter 13 - Product Specifications.....295

Xenon 1900/1900h/1910 Corded Scanner Product Specifications	295
Xenon 1902/1902h/1912 Cordless Scanner Product Specifications	296
Xenon 1902g-BF Scanner Product Specifications	298
Granit 1910i Industrial Corded Scanner Product Specifications.....	299
Granit 1911i Industrial Cordless Scanner Product Specifications.....	300
Granit 1980i Industrial Full Range Corded Scanner Product Specifications..	301
Granit 1981i Industrial Full Range Cordless Scanner Product Specifications	302
CCB01-010BT Charge Base Product Specifications	304
CCB01-010BT-BF Charge Base Product Specifications.....	305
CCB02-100BT/CCB05-100BT Industrial Charge Base Product Specifications	305
Depth of Field Charts	306
Xenon B&W Scanner Typical Performance.....	306
Xenon B&W Scanner Guaranteed Performance.....	307
Xenon Color Scanner (Model COL) Typical Performance.....	308
Xenon Color Scanner (Model COL) Guaranteed Performance.....	308
Granit 1910i/1911i Scanner Typical Performance.....	309
Granit 1910i/1911i Scanner Guaranteed Performance.....	309
Granit 1980i/1981i Scanner Typical Performance (200 lux)	310
Granit 1980i/1981i Scanner Guaranteed Performance (200 lux)	310
Standard Connector Pinouts	311
Keyboard Wedge.....	312
Serial Output.....	312
RS485 Output.....	312
USB	313
Required Safety Labels	314
Xenon 1900/1910/1902/1912 Scanner.....	314

CCB01-010BT/CCB01-010BT-BF Base	315
Granit 1910i/1911i/1980i/1981i Scanner.....	316
CCB02-100BT/CCB05-100BT Base.....	317

Chapter 14 - Maintenance and Troubleshooting 319

Repairs.....	319
Maintenance.....	319
Cleaning the Scanner	319
Cleaning the Window	319
Health Care Housing.....	320
Inspecting Cords and Connectors	320
Replacing Cables in Corded Scanners	320
Replacing a Xenon Interface Cable.....	321
Replacing a Granit Interface Cable	321
Replacing Cables and Batteries in Cordless Systems.....	321
Replacing an Interface Cable in a Base.....	321
Changing a Xenon Scanner Battery.....	322
Changing a Granit Scanner Battery.....	323
Troubleshooting a Corded Scanner.....	323
Troubleshooting a Cordless System.....	324
Troubleshooting a Base	324
Troubleshooting a Cordless Scanner.....	325

Chapter A - Reference Charts 327

Symbology Charts.....	327
Linear Symbologies	327
2D Symbologies	328
Postal Symbologies	329
ASCII Conversion Chart (Code Page 1252).....	330
Lower ASCII Reference Table.....	331
ISO 2022/ISO 646 Character Replacements	334
Keyboard Key References.....	337
Sample Symbols	339

Programming Chart..... 341

Customer Support

Technical Assistance

To search our knowledge base for a solution or to log in to the Technical Support portal and report a problem, go to www.hsmcontactsupport.com.

Product Service and Repair

Honeywell International Inc. provides service for all of its products through service centers throughout the world. To obtain warranty or non-warranty service, you must first obtain a Return Material Authorization number (RMA #) and then return your product to Honeywell (postage paid) with a copy of the dated purchase record. To learn more, go to www.honeywellaidc.com and select Service & Repair at the bottom of the page.

Limited Warranty

For warranty information, go to www.honeywellaidc.com and click **Get Resources > Product Warranty**.

Send Feedback

Your feedback is crucial to the continual improvement of our documentation. To provide feedback about this manual, contact the Honeywell Technical Communications department at ACSHSMTechnicalCommunications@honeywell.com.

About This Manual

This User's Guide provides installation and programming instructions for the Xenon™ 1900 and 1910 corded area-imaging scanners, the Xenon 1902 and 1912 cordless area-imaging scanners, the Granit 1910i and 1980i corded industrial scanners, and the Granit 1911i and 1981i cordless industrial scanners. Product specifications, dimensions, warranty, and customer support information are also included.

Honeywell bar code scanners are factory programmed for the most common terminal and communications settings. If you need to change these settings, programming is accomplished by scanning the bar codes in this guide.

An asterisk (*) next to an option indicates the default setting.

Unpack Your Device

After you open the shipping carton containing the product, take the following steps:

- Check for damage during shipment. Report damage immediately to the carrier who delivered the carton.
- Make sure the items in the carton match your order.
- Save the shipping container for later storage or shipping.

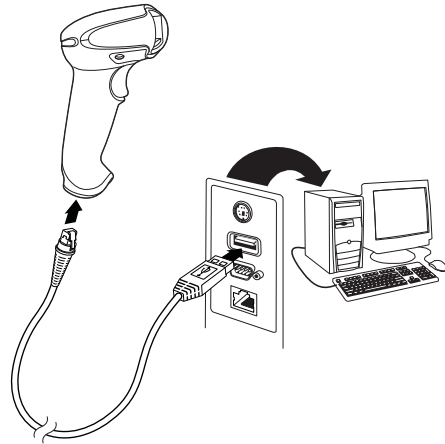
Connect the Device

Connect with USB

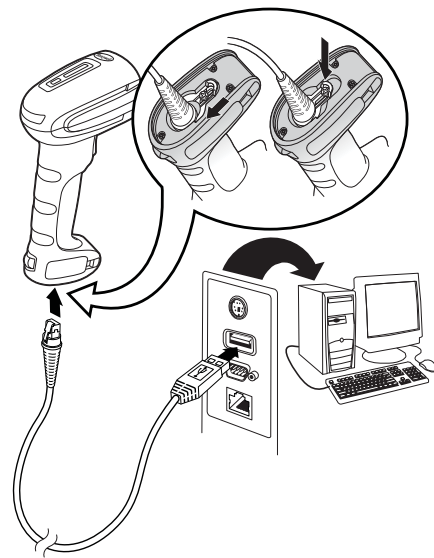
A scanner or a cordless base can be connected to the USB port of a computer.

1. Connect the appropriate interface cable to the device first, then to the computer.

**Corded Xenon Scanner
USB Connection:**

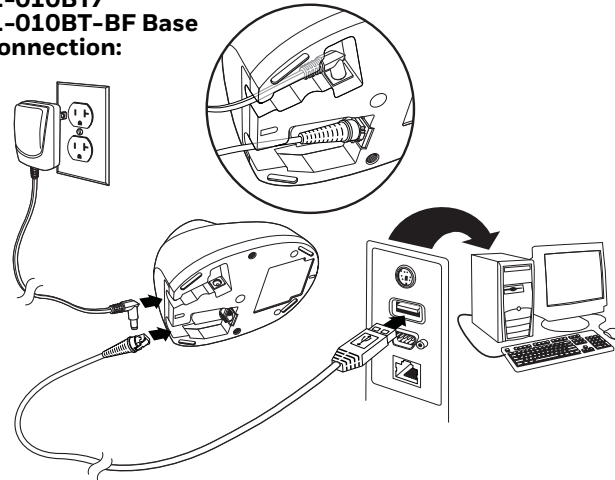


**Corded Granit Scanner
USB Connection:**

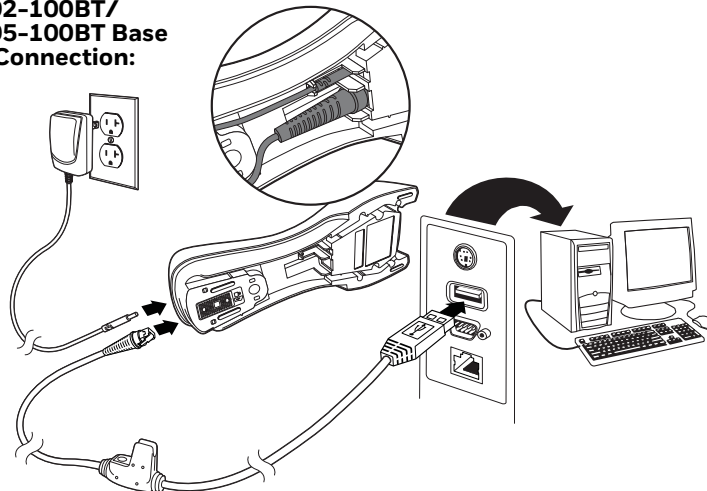


2. If you are connecting a Granit scanner, make sure the cable is pushed tightly into the scanner. Loosen the locking plate and slide it over the base of the cable connector to lock the cable in place. Tighten the screw.

**CCB01-010BT/
CCB01-010BT-BF Base
USB Connection:**



**CCB02-100BT/
CCB05-100BT Base
USB Connection:**



Note: The power supply must be ordered separately, if needed.

3. If you are connecting a CCB01-010BT or CCB01-010BT-BF Base, make sure the cables are secured in the wireways in the bottom of the cordless base and the base sits flat on a horizontal surface. If you are connecting a CCB02-100BT or CCB05-100BT Base, see [Mount a CCB02-100BT/CCB05-100BT Base](#) on page 9.
4. The scanner beeps.
5. Verify the scanner or cordless base operation by scanning a bar code from the [Sample Symbols](#), beginning on page 339.

The unit defaults to a USB PC Keyboard. Refer to [page 18](#) for other USB terminal settings.

For additional USB programming and technical information, refer to “USB Application Note,” available at www.honeywellaidc.com.

Connect with Keyboard Wedge

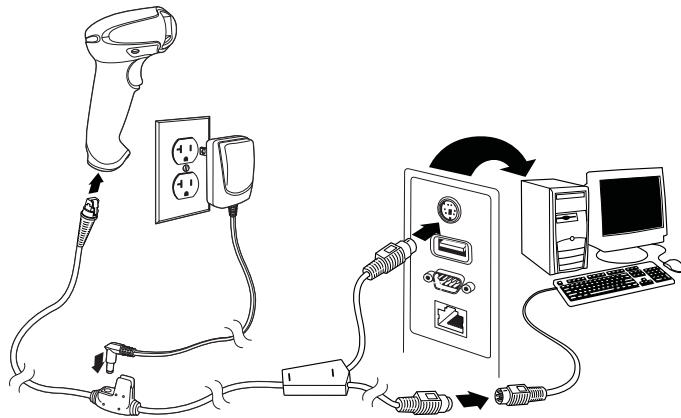
A scanner or cordless base can be connected between the keyboard and PC as a “keyboard wedge,” where the scanner provides data output that is similar to keyboard entries.

Note: *The Granit 1980i does not support the keyboard wedge interface.*

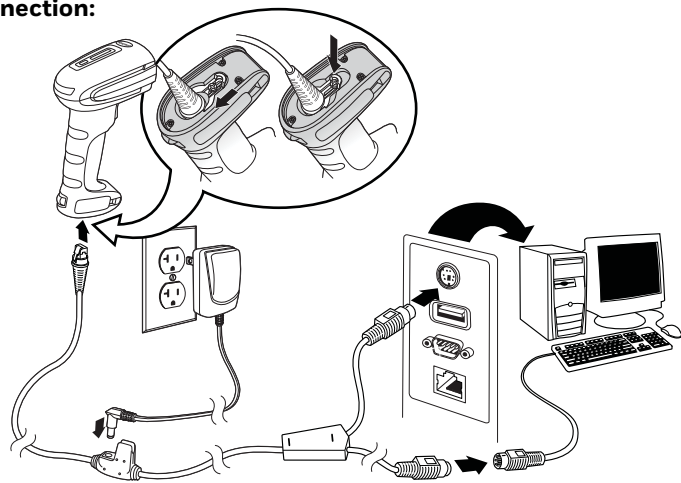
The following is an example of a keyboard wedge connection:

1. Turn off power and disconnect the keyboard cable from the back of the terminal/computer.
2. Connect the appropriate interface cable to the device and to the terminal/computer.

**Corded Xenon Scanner
Keyboard Wedge
Connection:**

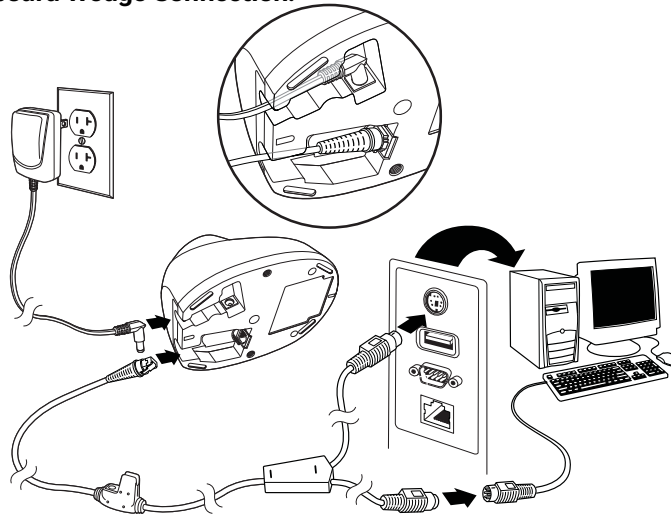


**Corded Granit Scanner
Keyboard Wedge
Connection:**

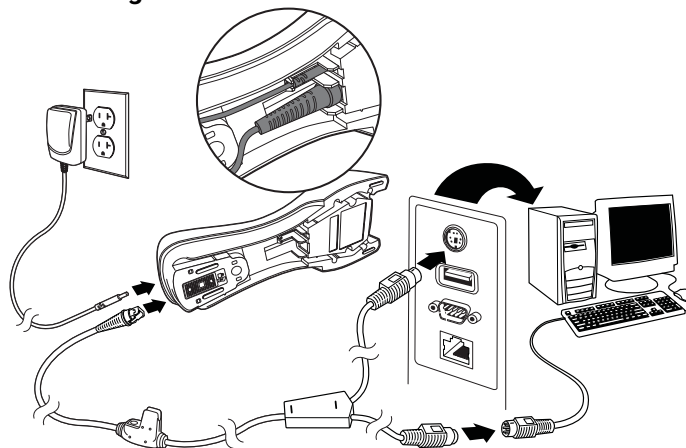


3. If you are connecting a Granit scanner, make sure the cable is pushed tightly into the scanner. Loosen the locking plate and slide it over the base of the cable connector to lock the cable in place. Tighten the screw.

**CCB01-010BT/CCB01-010BT-BF Base
Keyboard Wedge Connection:**



**CCB02-100BT/CCB05-100BT Base
Keyboard Wedge Connection:**



Note: The power supply must be ordered separately, if needed.

4. If you are connecting a CCB01-010BT or CCB01-010BT-BF Base, make sure the cables are secured in the wireways in the bottom of the cordless base and the base sits flat on a horizontal surface. If you are connecting a CCB02-100BT or CCB05-100BT Base, see [Mount a CCB02-100BT/CCB05-100BT Base](#) on page 9.
5. Turn the terminal/computer power back on. The scanner beeps.
6. Verify the scanner or cordless base operation by scanning a bar code from the [Sample Symbols](#), beginning on page 339. The scanner beeps once. If using a Granit scanner, it also vibrates.

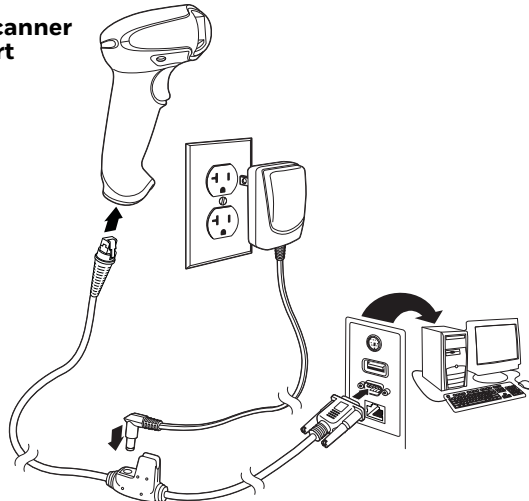
The unit defaults to an IBM PC AT and compatibles keyboard wedge interface with a USA keyboard. A carriage return (CR) suffix is added to bar code data.

Connect with RS232 Serial Port

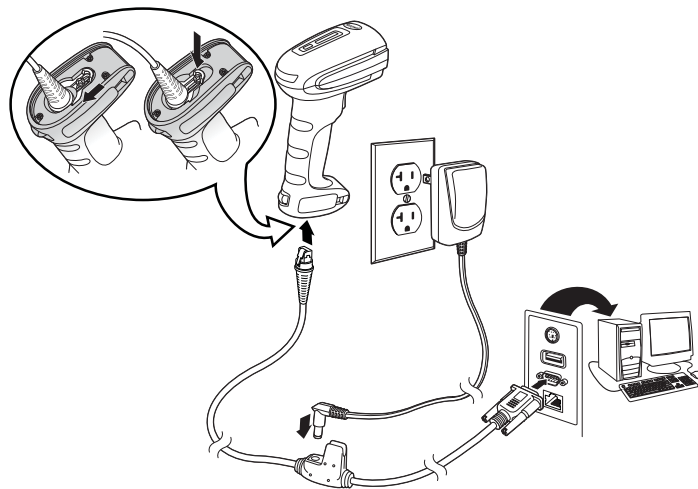
1. Turn off power to the terminal/computer.
2. Connect the appropriate interface cable to the scanner.

Note: For the scanner or cordless base to work properly, you must have the correct cable for your type of terminal/computer.

**Corded Xenon Scanner
RS232 Serial Port
Connection:**

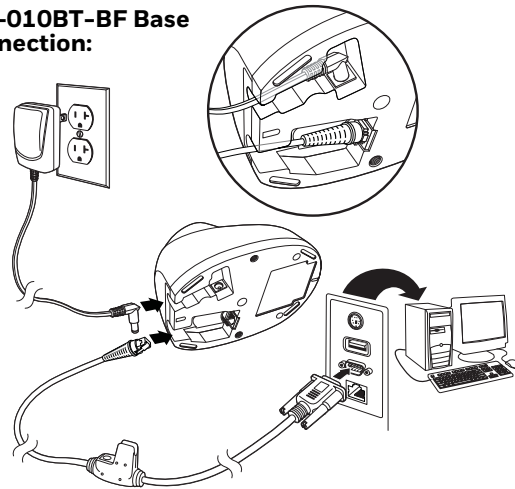


**Corded Granit Scanner RS232 Serial
Port Connection:**

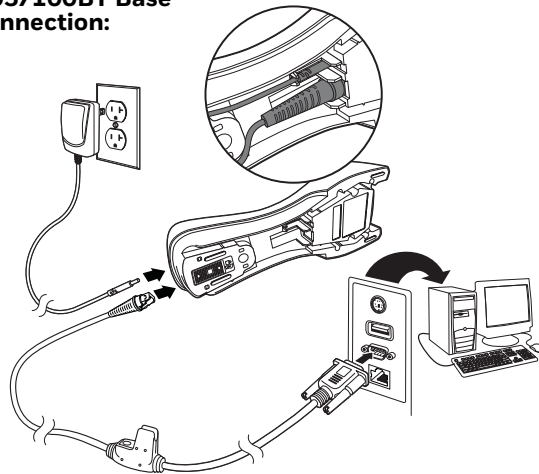


3. If you are connecting a Granit scanner, make sure the cable is pushed tightly into the scanner. Loosen the locking plate and slide it over the base of the cable connector to lock the cable in place. Tighten the screw.

**CCB01-010BT/CCB01-010BT-BF Base
RS232 Serial Port Connection:**



**CCB02-100BT/CCB05/100BT Base
RS232 Serial Port Connection:**



Note: The power supply must be ordered separately, if needed.

4. If you are connecting a CCB01-010BT or CCB01-010BT-BF Base, make sure the cables are secured in the wireways in the bottom of the cordless base and the base sits flat on a horizontal surface. If you are connecting a CCB02-100BT or CCB05-100BT Base, see [Mount a CCB02-100BT/CCB05-100BT Base](#) on page 9.
5. Plug the serial connector into the serial port on your computer. Tighten the two screws to secure the connector to the port.
6. Once the scanner or cordless base has been fully connected, power up the computer.

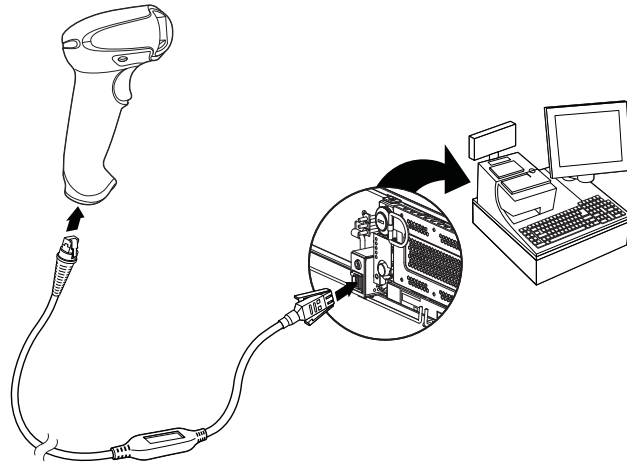
This interface programs 115,200 baud, 8 data bits, no parity, and 1 stop bit.

Connect with RS485

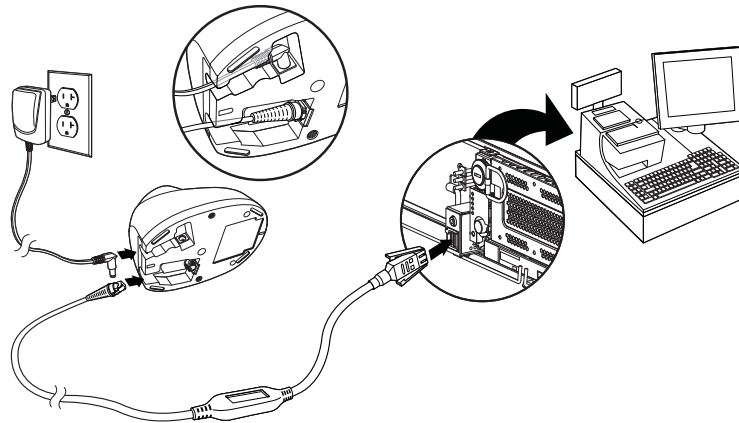
A Xenon scanner or cordless base can be connected for an IBM POS terminal interface. (This interface is not available in the Granit devices.)

1. Connect the appropriate interface cable to the device, then to the computer.

Corded Xenon Scanner RS485 Connection:



CCB01-010BT/CCB01-010BT-BF Base RS485 Connection:

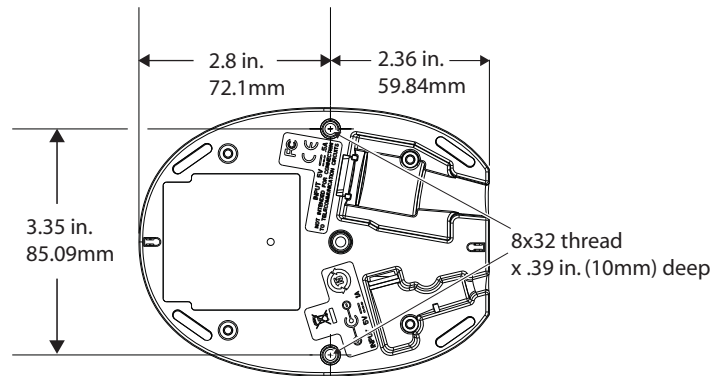


Note: The power supply must be ordered separately, if needed.

2. Make sure the cables are secured in the wireways in the bottom of the cordless base and the base sits flat on a horizontal surface.
3. Turn the terminal/computer power back on. The scanner beeps.
4. Verify the scanner or cordless base operation by scanning a bar code from the [Sample Symbols](#), beginning on page 339. The scanner beeps once. If using a Granit scanner, it also vibrates.

For further RS485 settings, refer to [RS485](#), page 16.

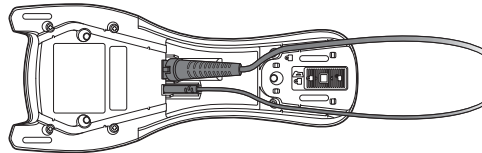
Mount a CCB01-010BT Charge Base



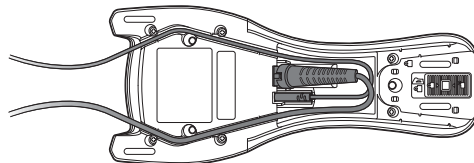
Mount a CCB02-100BT/CCB05-100BT Base

The CCB02-100BT or CCB05-100BT Base can be mounted on either a horizontal or vertical surface. The cables can be routed through either the top or the bottom of the base.

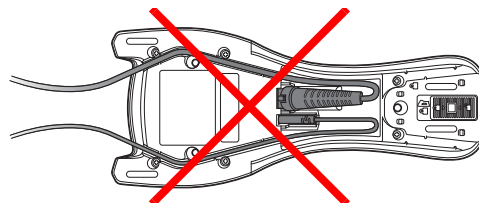
The cables can be routed down through the bottom of the base, securing the cables in the wireways.



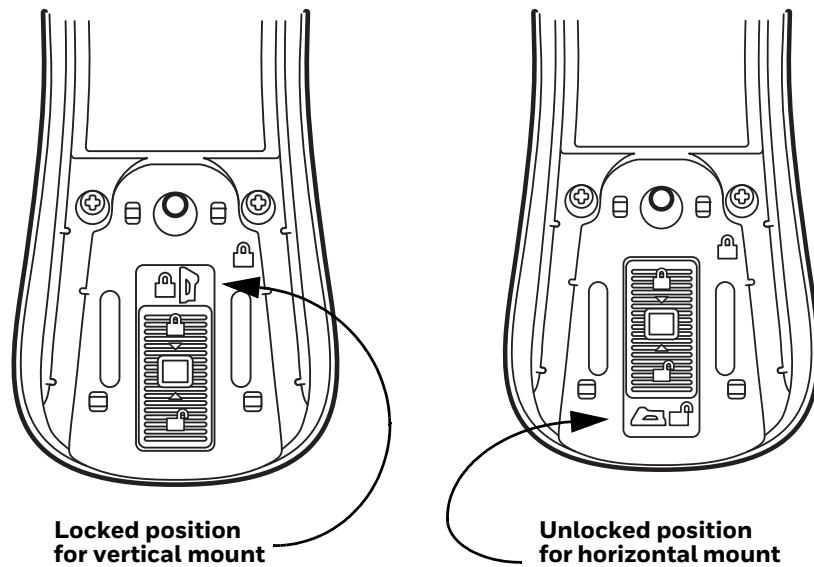
The cables can also be routed up through the top of the base, crossing them over and securing the cables in the wireways.



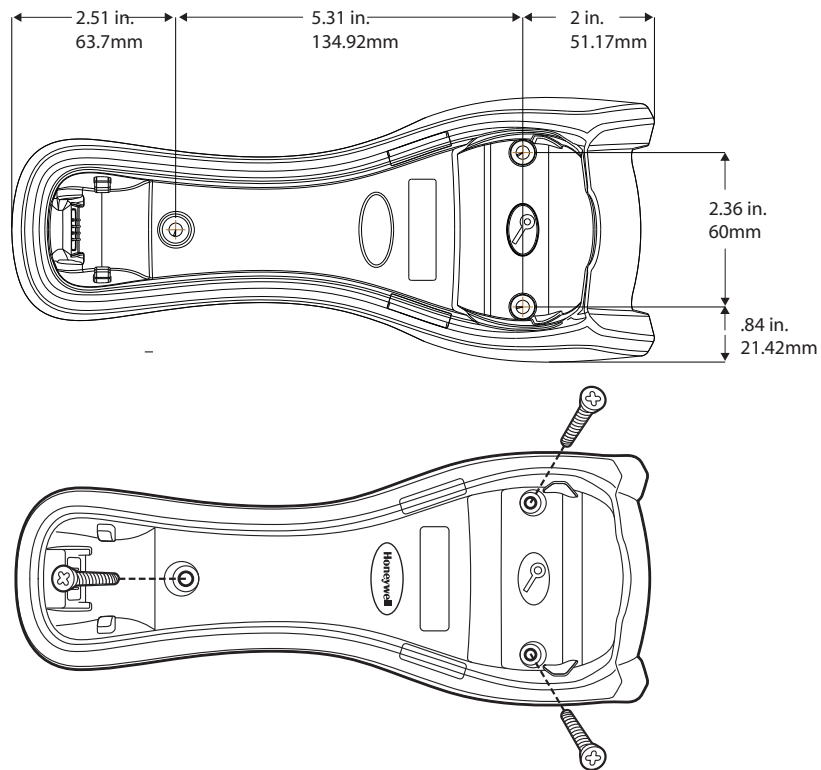
When routing the cables up through the top of the base, be sure to cross the cables over before placing in the wireways. If not, too much strain is placed on the cable connectors.



When mounted on a vertical surface, a locking system is used to secure the scanner when it is in the stand. When mounted on a horizontal surface, the locking mechanism should be set to unlocked (pushed up). When mounted on a vertical surface, the locking mechanism should be set to locked (pushed down).



Use 30mm screws, appropriate for the mounting surface material, to mount the base securely.

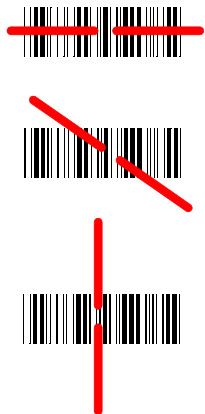


Reading Techniques

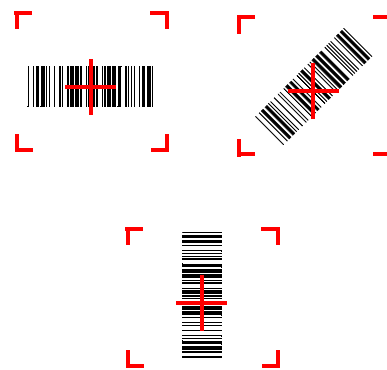
Xenon 1900/1902/1910/1912 and Granit 1910i/1911i

The Xenon 1900/1902 scanners have a view finder that projects a bright red aiming beam that corresponds to the scanner's horizontal field of view. The Xenon 1910/1912 and Granit 1910i/1911i scanners have an aiming pattern. The aiming beam or pattern should be centered over the bar code, but it can be positioned in any direction for a good read.

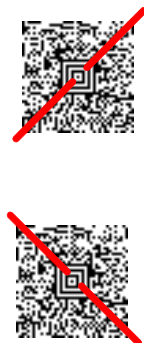
Linear bar codes with aiming beam



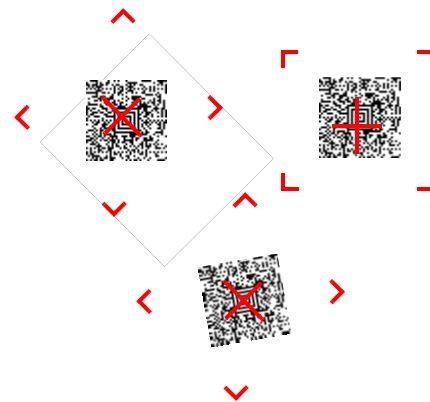
Linear bar codes with aiming pattern



2D Matrix symbol with aiming beam



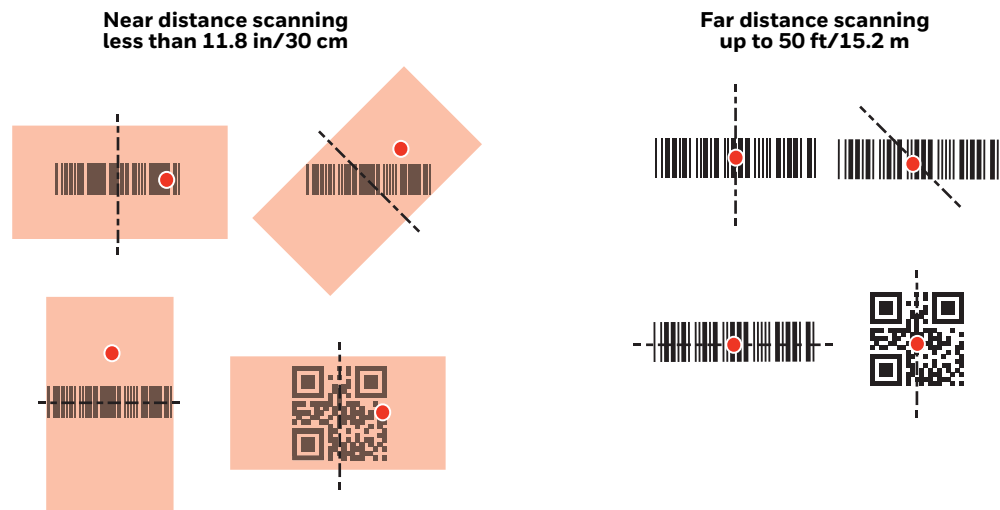
2D Matrix symbol with aiming pattern



Granit 1980i/1981i

The Granit 1980i/1981i scanners use a laser aimer (red dot) and a red LED (red box) to locate bar codes. Use the red LED when scanning at a near distance (less than 11.8 inches / 30 cm) and center the box over the bar code. The laser aimer (red dot) appears to the right of the center of the bar code. Use the laser aimer (red dot) when scanning at a far distance (up to 50 feet / 15.2 meters) and aim at the

center of the bar code. At far distances the red box may not be apparent. For both near distance and far distance, the aimers can be positioned in any direction for a good read.



The aiming beam or pattern is smaller when the scanner is closer to the code and larger when it is farther from the code. Symbologies with smaller bars or elements (mil size) should be read closer to the unit. Symbologies with larger bars or elements (mil size) should be read farther from the unit. To read single or multiple symbols (on a page or on an object), hold the scanner at an appropriate distance from the target, pull the trigger, and center the aiming beam or pattern on the symbol. If the code being scanned is highly reflective (e.g., laminated), it may be necessary to tilt the code up 15° to 18° to prevent unwanted reflection.

Menu Bar Code Security Settings

Honeywell scanners are programmed by scanning menu bar codes or by sending serial commands to the scanner. If you want to restrict the ability to scan menu codes, you can use the Menu Bar Code Security settings. Contact the nearest technical support office (see [Technical Assistance](#) on page xvii) for further information.

Set Custom Defaults

You have the ability to create a set of menu commands as your own, custom defaults. To do so, scan the **Set Custom Defaults** bar code below before scanning the menu commands for your custom defaults. If a menu command requires scanning numeric codes from the [Programming Chart](#), beginning on page 341, then a

Save code, that entire sequence will be saved to your custom defaults. When you have entered all the commands you want to save for your custom defaults, scan the **Save Custom Defaults** bar code.



Note: When using a cordless system, the Custom Defaults settings apply to all workgroups. Scanning the Save Defaults bar code also causes both the scanner and the base or Access Point to perform a reset and become unlinked. The scanner must be placed in its base to re-establish the link before any setup codes are entered. If using an Access Point, the linking bar code must be scanned. See [Cordless System Operation: Xenon 1902g/1912 and Granit 1911i/1981i](#) beginning on page 41, or [Cordless System Operation: Xenon 1902g-BF](#) beginning on page 79 for additional information.

You may have a series of custom settings and want to correct a single setting. To do so, just scan the new setting to overwrite the old one. For example, if you had previously saved the setting for Beeper Volume at Low to your custom defaults, and decide you want the beeper volume set to High, just scan the **Set Custom Defaults** bar code, then scan the Beeper Volume High menu code, and then **Save Custom Defaults**. The rest of the custom defaults will remain, but the beeper volume setting will be updated.

Reset the Custom Defaults

If you want the custom default settings restored to your scanner, scan the **Activate Custom Defaults** bar code below. This is the recommended default bar code for most users. It resets the scanner to the custom default settings. If there are no custom defaults, it will reset the scanner to the factory default settings. Any settings that have not been specified through the custom defaults will be defaulted to the factory default settings.



Note: If using a cordless system, scanning this bar code also causes both the scanner and the base or Access Point to perform a reset and become unlinked. The scanner must be placed in its base to re-establish the link. If using an Access Point, the linking bar code must be scanned. See [Cordless System Operation: Xenon 1902g/1912 and Granit 1911i/1981i](#) beginning on page 41, or [Cordless System Operation: Xenon 1902g-BF](#) beginning on page 79 for additional information.

Introduction

This chapter describes how to program your system for the desired interface.

Program the Interface - Plug and Play

Plug and Play bar codes provide instant scanner set up for commonly used interfaces.

Note: After you scan one of the codes, power cycle the host terminal to have the interface in effect.

Keyboard Wedge

If you want your system programmed for an IBM PC AT and compatibles keyboard wedge interface with a USA keyboard, scan the bar code below. Keyboard wedge is the default interface.

Note: The Granit 1980i does not support the keyboard wedge interface.

Note: The following bar code also programs a carriage return (CR) suffix.



PAP_AT.

**IBM PC AT and Compatibles with
CR suffix**

Laptop Direct Connect

For most laptops, scanning the **Laptop Direct Connect** bar code allows operation of the scanner in parallel with the integral keyboard. The following **Laptop Direct Connect** bar code also programs a carriage return (CR) suffix and turns on Emulate External Keyboard ([page 31](#)).

Note: *The Granit 1980i does not support Laptop Direct Connect.*



RS232 Serial Port

The **RS232 Interface** bar code is used when connecting to the serial port of a PC or terminal. The following **RS232 Interface** bar code also programs a carriage return (CR) and a line feed (LF) suffix, baud rate, and data format as indicated below. It also changes the trigger mode to manual.

Option	Setting
Baud Rate	115,200 bps
Data Format	8 data bits, no parity bit, 1 stop bit



RS485

Scan one of the following “Plug and Play” codes to program the scanner for an IBM POS terminal interface.

Note: *This interface is not supported in Granit devices.
After scanning one of these codes, you must power cycle the cash register.*





PAPP17.

IBM Port 17 Interface



PAP9B2.

**IBM Port 9B
HHBCR-2 Interface**

Each bar code above also programs the following suffixes for each symbology:

Symbology	Suffix	Symbology	Suffix
EAN 8	0C	Code 39	00 0A 0B
EAN 13	16	Interleaved 2 of 5	00 0D 0B
UPC A	0D	Code 128 *	00 0A 0B
UPC E	0A	Code 128 **	00 18 0B
		MaxiCode	00 2F 0B

* Suffixes programmed for Code 128 with IBM 4683 Port 5B, IBM 4683 Port 9B HHBCR-1, and IBM 4683 Port 17 Interfaces

** Suffixes programmed for Code 128 with IBM 4683 Port 9 HHBCR-2 Interface

RS485 Packet Mode

The following selection allows you to break up large bar code data into smaller packets on an IBM POS terminal. To break up large bar codes into small packets, scan the **Packet Mode On** bar code below. Scan the **Packet Mode Off** bar code if you want large bar code data to be sent to the host in a single chunk. *Default = Packet Mode Off.*



RTLPDF0.

*** Packet Mode Off**



RTLPDF1.

Packet Mode On

RS485 Packet Length

If you are using Packet mode, you can specify the size of the data “packet” that is sent to the host. Scan the **Packet Length** bar code, then the packet size (from 20 - 256) from the [Programming Chart](#), beginning on page 341, then **Save**. *Default = 40.*



RTLMP.S.

Packet Length

USB IBM SurePos

Scan one of the following “Plug and Play” codes to program the scanner for an IBM SurePos (USB handheld scanner) or IBM SurePos (USB tabletop scanner) interface.

Note: *After scanning one of these codes, you must power cycle the cash register.*



PAPSPH.

**USB IBM SurePos
(USB Handheld Scanner)
Interface**



PAPSPT.

**USB IBM SurePos
(USB Tabletop Scanner)
Interface**

Each bar code above also programs the following suffixes for each symbology:

Symbology	Suffix	Symbology	Suffix
EAN 8	0C	Code 39	00 0A 0B
EAN 13	16	Interleaved 2 of 5	00 0D 0B
UPC A	0D	Code 128	00 18 0B
UPC E	0A	Code 39	00 0A 0B

USB PC or Macintosh Keyboard

Scan one of the following codes to program the scanner for USB PC Keyboard or USB Macintosh Keyboard. Scanning these codes also adds a CR suffix.



PAP124.

USB Keyboard (PC)



PAP125.
USB Keyboard (Mac)



TRMUSB134.
USB Japanese Keyboard (PC)

USB HID

Scan the following code to program the scanner for USB HID bar code scanners.



PAP131.
USB HID Bar Code Scanner

USB Serial

If you are using a Microsoft® Windows® PC, you will need to download the latest driver from the Honeywell website (www.honeywellaidc.com) and go to **Get Resources - Downloads - Software**. The driver will use the next available COM Port number. Apple® Macintosh computers recognize the scanner as a USB CDC class device and automatically use a class driver.

After the driver is downloaded, scan the following code to program the scanner to emulate a regular RS232-based COM Port.



TRMUSB130.
USB Serial

No extra configuration (e.g., baud rate) is necessary.

Note: *If you scan the USB Serial bar code either with an older Honeywell serial driver, or no driver installed, you may no longer be able to scan bar codes. If this happens, either uninstall the older driver versions and install the latest driver, or delete the specific device entry in Device Manager.*

CTS/RTS Emulation



USBCTS1.
CTS/RTS Emulation On



ACK/NAK Mode



Remote MasterMind™ for USB

When using a USB interface, you may wish to configure your scanner to communicate with Remote MasterMind Scanner Management Software (ReM). Scan the **ReM On** bar code to communicate with ReM. To disable this capability, scan **ReM Off**.



Verifone® Ruby Terminal

Scan the following Plug and Play code to program the scanner for a Verifone Ruby terminal. This bar code sets the baud rate to 1200 bps and the data format to 8 data bits, mark parity bit, 1 stop bit. It also adds a line feed (LF) suffix and programs the following prefixes for each symbology:

Symbology	Prefix
UPC-A	A
UPC-E	A
EAN-8	FF
EAN-13	F



PAPRBY.

Verifone Ruby Settings

Gilbarco[®] Terminal

Scan the following Plug and Play code to program the scanner for a Gilbarco terminal. This bar code sets the baud rate to 2400 bps and the data format to 7 data bits, even parity, 2 stop bits. It also adds a carriage return (CR) suffix and programs the following prefixes for each symbology:

Symbology	Prefix
UPC-A	A
UPC-E	EO
EAN-8	FF
EAN-13	F



PAPGLB.

Gilbarco Settings

Honeywell Bioptic Aux Port

Scan the following Plug and Play code to program the scanner for a Honeywell bioptic scanner auxiliary port configuration. This bar code sets the baud rate to 38400 bps and the data format to 8 data bits, no parity, 1 stop bit.



PAPBIO.

Honeywell Bioptic Settings

Datalogic[™] Magellan[®] Aux Port

Scan the following Plug and Play code to program the scanner for a Datalogic Magellan auxiliary port configuration. This bar code sets the baud rate to 9600 bps and the data format to 8 data bits, no parity, 1 stop bit.



PAPMAG.

Datalogic Magellan Settings

NCR Bioptic Aux Port

Scan the following Plug and Play code to program the scanner for an NCR bioptic scanner auxiliary port configuration. The following prefixes are programmed for each symbology:

Symbology	Prefix	Symbology	Prefix
UPC-A	A	Interleaved 2 of 5	b
UPC-E	E0	Code 128	f
		Code 32 Pharmaceutical (PARAF)	a
EAN-8	FF	Code 39	a
EAN-13	F		



PAPNCR.
NCR Bioptic Settings

Wincor Nixdorf Terminal

Scan the following Plug and Play code to program the scanner for a Wincor Nixdorf terminal. This bar code sets the baud rate to 9600 bps and the data format to 8 data bits, no parity, 1 stop bit.



PAPWNX.
Wincor Nixdorf Terminal Settings

Wincor Nixdorf Beetle™ Terminal

Scan the following Plug and Play code to program the scanner for a Wincor Nixdorf Beetle terminal. The following prefixes are programmed for each symbology:

Symbology	Prefix	Symbology	Prefix
Aztec Code	V	Interleaved 2 of 5	I
Codabar	N	MaxiCode	T
Code 93	L	MicroPDF417	S
Code 128	K	PDF417	Q
Data Matrix	R	QR Code	U
EAN-8	B	Straight 2 of 5 IATA	H
EAN-13	A	UPC-A	AO
GS1 DataBar	E	UPC-E	C
GS1-128	P	All other bar codes	M



Wincor Nixdorf RS232 Mode A

Scan the following Plug and Play code to program the scanner for a Wincor Nixdorf RS232 Mode A terminal. This bar code sets the baud rate to 9600 bps and the data format to 8 data bits, odd parity, 1 stop bit. The following prefixes are programmed for each symbology:

Note: This setting is not supported in Granit devices.

Symbology	Prefix	Symbology	Prefix
Code 128	K	EAN-13	A
Code 93	L	GS1-128	K
Codabar	N	Interleaved 2 of 5	I
UPC-A	A0	Plessey	O
UPC-E	C	Straight 2 of 5 IATA	H
EAN-8	B	GS1 DataBar	E
All other bar codes	M		



Keyboard Country Layout

If your interface is USB Keyboard or Keyboard Wedge, your keyboard layout default is a US keyboard. To change this layout, scan the appropriate Keyboard Country bar code below. By default, national character replacements are used for the following characters: # \$ @ [\] ^ ' { | } ~. Refer to the ["ISO 2022/ISO 646 Character Replacements" on page A-334](#) to view the character replacements for each country.

Keyboard Countries



Keyboard Countries (Continued)



KBDCTY81.
Azeri (Cyrillic)



KBDCTY80.
Azeri (Latin)



KBDCTY82.
Belarus



KBDCTY1.
Belgium



KBDCTY33.
Bosnia



KBDCTY16.
Brazil



KBDCTY59.
Brazil (MS)



KBDCTY52.
Bulgaria (Cyrillic)



KBDCTY53.
Bulgaria (Latin)



KBDCTY54.
Canada (French legacy)



KBDCTY18.
Canada (French)



KBDCTY55.
Canada (Multilingual)

Keyboard Countries (Continued)



KBDCTY32.
Croatia



KBDCTY40.
Czech (Programmers)



KBDCTY38.
Czech (QWERTZ)



KBDCTY11.
Dutch (Netherlands)



KBDCTY83.
Faroese



KBDCTY3.
France



KBDCTY15.
Czech



KBDCTY39.
Czech (QWERTY)



KBDCTY8.
Denmark



KBDCTY41.
Estonia



KBDCTY2.
Finland



KBDCTY84.
Gaelic

Keyboard Countries (Continued)



KBDCTY4.
Germany



KBDCTY64.
Greek (220 Latin)



KBDCTY65.
Greek (319 Latin)



KBDCTY63.
Greek (Latin)



KBDCTY60.
Greek (Polytonic)



KBDCTY50.
Hungarian (101 key)



KBDCTY17.
Greek



KBDCTY61.
Greek (220)



KBDCTY62.
Greek (319)



KBDCTY66.
Greek (MS)



KBDCTY12.
Hebrew



KBDCTY19.
Hungary

Keyboard Countries (Continued)



KBDCTY75.
Iceland



KBDCTY56.
Italian (142)



KBDCTY28.
Japan ASCII



KBDCTY79.
Kyrgyz (Cyrillic)



KBDCTY42.
Latvia



KBDCTY44.
Lithuania



KBDCTY73.
Irish



KBDCTY5.
Italy



KBDCTY78.
Kazakh



KBDCTY14.
Latin America



KBDCTY43.
Latvia (QWERTY)



KBDCTY45.
Lithuania (IBM)

Keyboard Countries (Continued)



KBDCTY34.
Macedonia



KBDCTY86.
Mongolian (Cyrillic)



KBDCTY20.
Poland



KBDCTY58.
Polish (Programmers)



KBDCTY25.
Romania



KBDCTY67.
Russian (MS)



KBDCTY74.
Malta



KBDCTY9.
Norway



KBDCTY57.
Polish (214)



KBDCTY13.
Portugal



KBDCTY26.
Russia



KBDCTY68.
Russian (Typewriter)

Keyboard Countries (Continued)



KBDCTY21.
SCS



KBDCTY36.
Serbia (Latin)



KBDCTY49.
Slovakia (QWERTY)



KBDCTY31.
Slovenia



KBDCTY51.
Spanish variation



KBDCTY29.
Switzerland (French)



KBDCTY37.
Serbia (Cyrillic)



KBDCTY22.
Slovakia



KBDCTY48.
Slovakia (QWERTZ)



KBDCTY10.
Spain



KBDCTY23.
Sweden



KBDCTY6.
Switzerland (German)

Keyboard Countries (Continued)



KBDCTY85.
Tatar



KBDCTY27.
Turkey F



KBDCTY24.
Turkey Q



KBDCTY76.
Ukrainian



KBDCTY7.
United Kingdom



KBDCTY87.
United States (Dvorak)



KBDCTY88.
United States (Dvorak left)



KBDCTY89.
United States (Dvorak)



KBDCTY30.
United States (International)



KBDCTY77.
Uzbek (Cyrillic)

Keyboard Style

This program's keyboard styles, such as Caps Lock and Shift Lock. If you have used [Keyboard Conversion](#) settings, they will override any of the following Keyboard Style settings. *Default = Regular.*

Regular is used when you normally have the Caps Lock key off.



Caps Lock is used when you normally have the Caps Lock key on.



Shift Lock is used when you normally have the Shift Lock key on (not common to U.S. keyboards).



Automatic Caps Lock is used if you change the Caps Lock key on and off. The software tracks and reflects if you have Caps Lock on or off. This selection can only be used with systems that have an LED that notes the Caps Lock status (AT keyboards).



Autocaps via NumLock bar code should be scanned in countries (e.g., Germany, France) where the Caps Lock key cannot be used to toggle Caps Lock. The NumLock option works similarly to the regular Autocaps, but uses the NumLock key to retrieve the current state of the Caps Lock.



Emulate External Keyboard should be scanned if you do not have an external keyboard (IBM AT or equivalent).



Note: After scanning the *Emulate External Keyboard* bar code, you must power cycle your computer.

Keyboard Conversion

Alphabetic keyboard characters can be forced to be all upper case or all lowercase. So if you have the following bar code: “abc569GK,” you can make the output “ABC569GK” by scanning **Convert All Characters to Upper Case**, or to “abc569gk” by scanning **Convert All Characters to Lower Case**.

These settings override [Keyboard Style](#) selections.

Note: *If your interface is a keyboard wedge, first scan the menu code for [Automatic Caps Lock](#) (page 31). Otherwise, your output may not be as expected.*

Default = Keyboard Conversion Off.



KBDCNV0.

* **Keyboard Conversion Off**



KBDCNV1.

Convert All Characters to Upper Case



KBDCNV2.

Convert All Characters to Lower Case

Control Character Output

This selection sends a text string instead of a control character. For example, when the control character for a carriage return is expected, the output would display [CR] instead of the ASCII code of 0D. Refer to [ASCII Conversion Chart \(Code Page 1252\)](#) on page 330. Only codes 00 through 1F are converted (the first column of the chart). *Default = Off.*

Note: *Control + X (Control + ASCII) Mode overrides this mode.*



KBDNPE1.

Control Character Output On



KBDNPE0.

* **Control Character Output Off**

Keyboard Modifiers

This modifies special keyboard features, such as CTRL+ ASCII codes and Turbo Mode.

Control + X (Control + ASCII) Mode On: The scanner sends key combinations for ASCII control characters for values 00-1F. Windows is the preferred mode. All keyboard country codes are supported. DOS mode is a legacy mode, and it does not support all keyboard country codes. New users should use the Windows mode. Refer to [ASCII Conversion Chart \(Code Page 1252\)](#), page 330 for CTRL+ X Values.

Windows Mode Prefix/Suffix Off: The scanner sends key combinations for ASCII control characters for values 00-1F, but it does not translate prefix or suffix information.

Default = Control + X Mode Off.



KBDCAS2.

**Windows Mode Control + X
Mode On**



KBDCAS0.

*** Control + X Mode Off**



KBDCAS1.

DOS Mode Control + X Mode On



KBDCAS3.

Windows Mode Prefix/Suffix

Turbo Mode: The scanner sends characters to a terminal faster. If the terminal drops characters, do not use Turbo Mode. *Default = Off.*



KBDTMD1.

Turbo Mode On



KBDTMD0.

*** Turbo Mode Off**

Numeric Keypad Mode: Sends numeric characters as if entered from a numeric keypad. *Default = Off.*



KBDNPS1.
Numeric Keypad Mode On



KBDNPS0.
*** Numeric Keypad Mode Off**

Automatic Direct Connect Mode: This selection can be used if you have an IBM AT style terminal and the system is dropping characters. *Default = Off.*



KBDADC1.
Automatic Direct Connect Mode On



KBDADC0.
*** Automatic Direct Connect Mode Off**

RS232 Modifiers

RS232 Baud Rate

Baud Rate sends the data from the scanner to the terminal at the specified rate. The host terminal must be set for the same baud rate as the scanner. *Default = 115,200.*



232BAD0.
300



232BAD1.
600



232BAD2.
1200



232BAD3.
2400



232BAD4.

4800



232BAD5.

9600



232BAD6.

19200



232BAD7.

38400



232BAD8.

57,600



232BAD9.

* 115,200

RS232 Word Length: Data Bits, Stop Bits, and Parity

Data Bits sets the word length at 7 or 8 bits of data per character. If an application requires only ASCII Hex characters 0 through 7F decimal (text, digits, and punctuation), select 7 data bits. For applications that require use of the full ASCII set, select 8 data bits per character. *Default = 8.*

Stop Bits sets the stop bits at 1 or 2. *Default = 1.*

Parity provides a means of checking character bit patterns for validity. *Default = None.*



232WRD3.

7 Data, 1 Stop, Parity Even



232WRD0.

7 Data, 1 Stop, Parity None



232WRD6.

7 Data, 1 Stop, Parity Odd



232WRD1.
7 Data, 2 Stop Parity None



232WRD5.
8 Data, 1 Stop, Parity Even



232WRD8.
8 Data, 1 Stop, Parity Odd



232WRD4.
7 Data, 2 Stop, Parity Even



232WRD7.
7 Data, 2 Stop, Parity Odd



232WRD2.
*** 8 Data, 1 Stop, Parity None**



232WRD14.
8 Data, 1 Stop, Parity Mark

RS232 Receiver Time-Out

The unit stays awake to receive data until the RS232 Receiver Time-Out expires. A manual or serial trigger resets the time-out. When an RS232 receiver is sleeping, a character may be sent to wake up the receiver and reset the time-out. A transaction on the CTS line will also wake up the receiver. The receiver takes 300 milliseconds to completely come up. Change the RS232 receiver time-out by scanning the bar code below, then scanning digits from the [Programming Chart](#), beginning on page 341, then scanning **Save**. The range is 0 to 300 seconds. *Default = 0 seconds (no time-out - always on).*



232LPT.
RS232 Receiver Time-Out

RS232 Handshake

RS232 Handshaking allows control of data transmission from the scanner using software commands from the host device. When RTS/CTS is turned Off, no data flow control is used.

Flow Control, No Timeout: The scanner asserts RTS when it has data to send, and will wait indefinitely for CTS to be asserted by the host.

Two-Direction Flow Control: The scanner asserts RTS when it is OK for the host to transmit. The host asserts CTS when it is OK for the device to transmit.

Flow Control with Timeout: The scanner asserts RTS when it has data to send and waits for a delay (see [RS232 Timeout](#) on page 37) for CTS to be asserted by the host. If the delay time expires and CTS is not asserted, the device transmit buffer is cleared and scanning may resume. *Default = RTS/CTS Off.*



Flow Control, No Timeout



Two-Direction Flow Control



Flow Control with Timeout



*** RTS/CTS Off**

RS232 Timeout

When using **Flow Control with Timeout**, you must program the length of the delay you want to wait for CTS from the host. Set the length (in milliseconds) for a timeout by scanning the bar code below, then setting the timeout (from 1-5100 milliseconds) by scanning digits from the [Programming Chart](#), beginning on page 341, then scanning **Save**.



RS232 Timeout

XON/XOFF

Standard ASCII control characters can be used to tell the scanner to start sending data (XON/XOFF On) or to stop sending data (XON/XOFF Off). When the host sends the XOFF character (DC3, hex 13) to the scanner, data transmission stops. To resume transmission, the host sends the XON character (DC1, hex 11). Data transmission continues where it left off when XOFF was sent. *Default = XON/XOFF Off.*



232XON1.
XON/XOFF On



232XON0.
*** XON/XOFF Off**

ACK/NAK

After transmitting data, the scanner waits for an ACK character (hex 06) or a NAK character (hex 15) response from the host. If ACK is received, the communications cycle is completed and the scanner looks for more bar codes. If NAK is received, the last set of bar code data is retransmitted and the scanner waits for ACK/NAK again. Turn on the ACK/NAK protocol by scanning the **ACK/NAK On** bar code below. To turn off the protocol, scan **ACK/NAK Off**. *Default = ACK/NAK Off.*



232ACK1.
ACK/NAK On



232ACK0.
*** ACK/NAK Off**

Scanner to Bioptic Communication

The following settings are used to set up communication between Honeywell scanners and bioptic scanners.

Note: *The scanner's baud rate must be set to 38400 and the RS232 timeout must be set to 3000 in order to communicate with a bioptic scanner. See "RS232 Modifiers" on page 34, and [RS232 Timeout](#) on page 37 for further information.*

Scanner-Bioptic Packet Mode

Packet Mode On must be scanned to set the scanner's format so it is compatible with a bioptic scanner. *Default = Packet Mode Off.*



232PKT0.

* **Packet Mode Off**



232PKT2.

Packet Mode On

Scanner-Bioptic ACK/NAK Mode

Bioptic ACK/NAK On must be scanned so the scanner will wait for an ACK or NAK from a bioptic scanner after each packet is sent. The Scanner-Bioptic ACK/NAK Timeout (below) controls how long the scanner will wait for a response. *Default = Bioptic ACK/NAK Off.*



232NAK0.

* **Bioptic ACK/NAK Off**



232NAK1.

Bioptic ACK/NAK On

Scanner-Bioptic ACK/NAK Timeout

This allows you to set the length (in milliseconds) for a timeout for a bioptic scanner's ACK/NAK response. Scan the bar code below, then set the timeout (from 1-30,000 milliseconds) by scanning digits from the [Programming Chart](#), beginning on page 341, then scanning **Save**. *Default = 5100.*



232DLK.

ACK/NAK Timeout

CORDLESS SYSTEM OPERATION: XENON 1902G/1912 AND GRANIT 1911I/1981I

Note: This chapter does not apply to corded or Xenon 1902g-BF scanners. See [Cordless System Operation: Xenon 1902g-BF](#) beginning on page 79 for Xenon 1902g-BF scanning systems.

How the Cordless Charge Base/Access Point Works

A cordless charge base or an Access Point provide the link between the cordless scanner and the host system. The base/Access Point contains an interface assembly and an RF communication module. The RF communication module performs the data exchange between the cordless scanner and the interface assembly. The control assembly coordinates the central interface activities including: transmitting/receiving commands and data to/from the host system, performing software activities (parameter menuing, visual indicator support, power-on diagnostics), and data translation required for the host system.

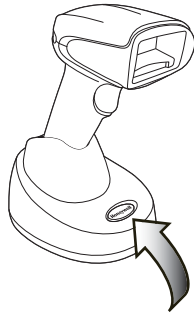
The cordless charge base is also a scanner's battery charger. Refer to [Charge Information](#), page 47, for additional information.

Link the Scanner to a Charge Base

Turn off power before connecting a base, then power up the computer once the base is fully connected. When the base is connected and powered up, put the scanner in the base to establish a link. The green LED on the base flashes to indicate the scanner's battery is charging.

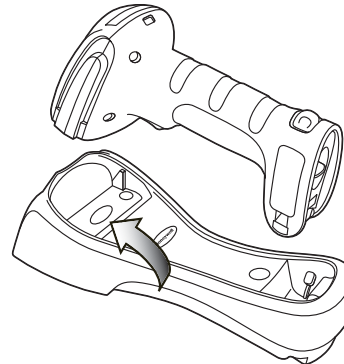
If the scanner and base have previously been linked, you do not receive any feedback. If this is the first time that the scanner and base are linked, both devices emit a short chirp when their radios link. At this point, that one scanner is linked to one base.

Xenon Scanner



**CCB01-010BT Charge Base
Page Button and Base LEDs**

Granit Scanner

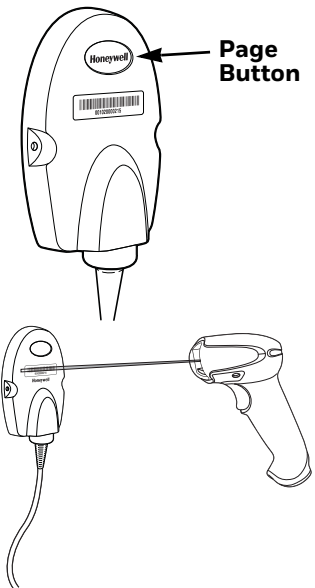


**CCB02-100BT/CCB05-100BT
Charge Base Page Button and Base LEDs**

To determine if your cordless system is set up correctly, scan one of the sample bar codes in the back of this manual. If the scanner provides a single good read beep and the green LED lights, the scanner has successfully linked to the base. If using a Granit scanner, the scanner also vibrates. If you receive an error tone and the red LED lights, the scanner has not linked to the base. Refer to [page 325](#) for troubleshooting information.

Link the Scanner to an Access Point

Turn on the computer (laptop/desktop). Plug the interface cable into the Access Point first and then into the appropriate port on the computer. The Page button lights up when the connection to the host is made.



Scan the linking bar code on the top of the Access Point to establish a connection between the Access Point and the scanner. The scanner emits a short beep and flashes the green LED to confirm a connection with the Access Point. The Access Point's Page button remains blue.

Replace a Linked Scanner

If you need to replace a broken or lost scanner that is linked to a base or an Access Point, scan the Override Locked Scanner bar code below with a new scanner and place that scanner in the base, or scan the Access Point linking bar code. The locked link will be overridden; the broken or lost scanner's link with the base or Access Point will be removed, and the new scanner will be linked.



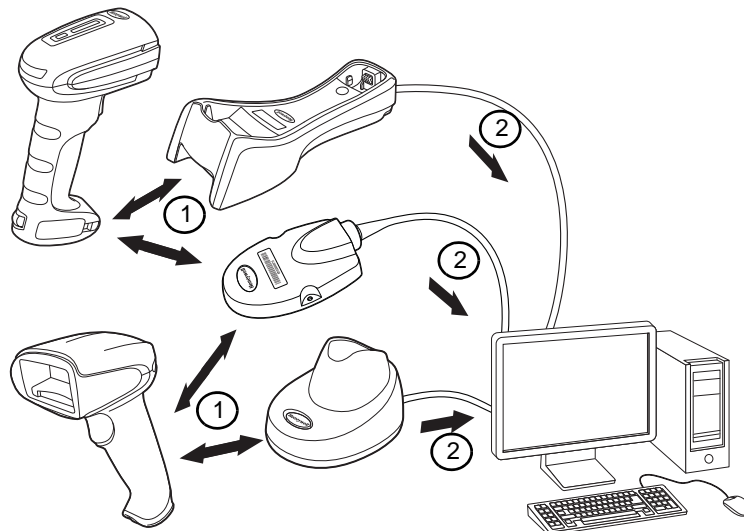
BT_RPL1.

**Override Locked Scanner
(Single Scanner)**

Communication Between the Cordless System and the Host

The cordless scanner provides immediate feedback in the form of a “good read” indication with a green LED on the scanner and an audible beep. If using a Granit scanner, the scanner also vibrates. This indicates that the bar code has been scanned correctly and the base or Access Point has acknowledged receiving the data. This is possible since the cordless system provides two-way communication between the scanner and the base or Access Point.

When data is scanned, the data is sent to the host system via the base or Access Point. The cordless scanner recognizes data acknowledgment (ACK) from the base or Access Point. If it cannot be determined that the data has been properly sent to the base or Access Point, the scanner issues an error indication. You must then check to see if the scanned data was received by the host system.



1. Scanner reads code and gets ACK from base or Access Point
2. Base or Access Point sends data to host

Program the Scanner and Base or Access Point

When using the scanner and charge base or Access Point together as a system, menu parameters and configuration settings are stored in the charge base or Access Point. Therefore, when programming any menu configuration settings, the scanner must be linked to the intended charge base or Access Point.

Note: *This only applies when the scanner is linked to a charge base or Access Point. If the scanner is in a non-base mode, configuration settings are stored in the scanner.*

RF (Radio Frequency) Module Operation

The cordless system uses a two-way Bluetooth® radio to transmit and receive data between the scanner and the base or Access Point. Designed for point-to-point and multi-point-to-single point applications, the radio operates using a license free ISM band, which sends relatively small data packets at a fast data rate over a radio signal with randomly changing frequencies, makes the cordless system highly responsive to a wide variety of data collection applications and resistant to noisy RF environments. The CCB01-010BT (Bluetooth Class 2) provides a communication range of 33 feet (10m) between the scanner and base or Access Point, depending on the environment. The CCB02-100BT/CCB05-100BT (Bluetooth Class 1) provides a communication range of 330 feet (100m) between the scanner and base or Access Point, depending on the environment. See [Flexible Power Management](#), page 58, for information about controlling this range.

System Conditions

The components of the cordless system interact in specific ways as you associate a scanner to a base or Access Point, as you move a scanner out of range, bring a scanner back in range, or swap scanners between two cordless systems. The following information explains the cordless system operating conditions.

Link Process

Once a scanner is placed into a cordless charge base, the scanner's battery charge status is checked, and software automatically detects the scanner and links it to the base depending on the selected link mode.

Refer to [Link the Scanner to an Access Point](#), page 42, for information about linking to an Access Point.

Scanner Is Out of Range

The cordless scanner is in communication with its base or Access Point, even when it is not transmitting bar code data. Whenever the scanner can't communicate with the base or Access Point for a few seconds, it is out of range. If the scanner is out of

range and you scan a bar code, the scanner issues an error tone indicating no communication with the base or Access Point. A cordless charge base can also sound an alarm. Refer to [Out-of-Range Alarm](#), page 56.

Scanner Is Moved Back Into Range

The scanner relinks if the scanner or the base or Access Point have been reset, or the scanner comes back into range. If the scanner relinks, you will hear a single chirp when the relinking process (uploading of the parameter table) is complete. Refer to [Out-of-Range Alarm](#) on page 56 for further information.

Out of Range and Back into Range with Batch Mode On

The scanner may store a number of symbols (approximately 500 U.P.C. symbols; others may vary) when it is out of range and then send them to the base or Access Point when back in range (see [Batch Mode](#) on page 59).

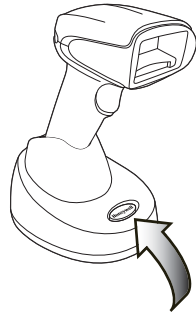
You will not hear a communication error tone in this mode, but you will hear a short buzz when you pull the trigger if the radio communication is not working. Once the radio connection is made, the scanner produces a series of beeps while the data is being transferred to the base or Access Point.

Page Button

When you press the Page button on the base or Access Point, the scanners associated with that base or Access Point will begin beeping (3 short and 1 long beep). If you pull the trigger on a scanner that is beeping in response, or press the Page button on the base or Access Point a second time, all associated scanners will stop beeping. See [Page](#) on page 51 for further information about Page Button settings.

Note: *If you are using a Xenon 1902h model, refer to [Quiet Operations - LED and Volume Settings](#) on page 145 for additional Page Button settings.*

Page Button and Presentation Modes



When in Streaming Presentation Mode, the scanner's aimer goes out after a short time, but the scan illumination remains on all the time to continuously search for bar codes (see [Streaming Presentation™ Mode](#) on page 124). When in Temporary Streaming Presentation Mode, pressing the page button on the base puts the scanner into Streaming Presentation Mode until the timeout occurs. If a bar code is scanned before the timeout is reached, the timer starts over.

When the scanner is in the base, press the page button once to put the scanner into Temporary Streaming Presentation Mode. When the scanner is in the base and the base has external power (plugged into an outlet), press the page button twice to put the scanner into Streaming Presentation Mode. Press it twice again to end Streaming Presentation Mode. When the base does not have external power, pressing the page button twice does not trigger Streaming Presentation Mode.

When the scanner is out of the base, the page button works normally. *Default = Temporary Streaming Presentation Mode On.*



*** Temporary Streaming Presentation Mode
On**

To remove Temporary Streaming Presentation Mode, scan the bar code for [* Page Mode On](#) on page 52.

Temporary Streaming Presentation Timeout

Set a timeout for the length of time the illumination remains on and searching for bar codes when using Temporary Streaming Presentation Mode. Set the length for the timeout by scanning one of the bar codes below. *Default = 10,000 ms (10 seconds).*



***10 Second Timeout**



TRGTPM60000.

60 Second Timeout

About the Battery



Warning: There is a danger of explosion if the batteries are incorrectly replaced. Replace the batteries with only the same or equivalent type recommended by the manufacturer. Dispose of used batteries according to the recycle program for batteries as directed by the governing agency for the country where the batteries are to be discarded.

Power is supplied to the cordless scanner by a rechargeable battery that is integrated in the scanner handle. Batteries are shipped only partially charged. The battery should be charged for a minimum of 4 hours before initial use to ensure optimal performance.

Charge Information

The battery is designed to charge while the scanner is positioned in the cordless base unit. Refer to [Base/Access Point LED Sequences and Meaning](#), page 49, for an interpretation of the Charge Status indicators. Refer to [Charge Only Mode](#) (page 54) if you need to charge a scanner without linking it to the base.

Place the scanner in the base that is connected to an appropriate power supply. Use only a Listed Limited Power Source (LPS) or Class 2 type power supply with output rated 5 to 5.2Vdc, 1A.

Note: *If you are powering the base through the interface cable (for example, a USB cable) and not using an external power supply plugged into the aux port, the current available for charging is reduced and charge times are increased.*

Battery Recommendations

- The battery is a lithium ion cell and can be used without a full charge, and can also be charged without fully discharging, without impacting the battery life. There is no need to perform any charge/discharge conditioning on this type of battery.
- Keep the base connected to power when the host is not in use.
- Replace a defective battery immediately since it could damage the scanner.
- Although your battery can be recharged many times, it will eventually be depleted. Replace it after the battery is unable to hold an adequate charge.

- If you are not sure if the battery or charger is working properly, send it to Honeywell International Inc. or an authorized service center for inspection. Refer to [Customer Support](#) on page xvii for additional information.



Caution: Use only Honeywell Li-ion battery packs, model number BAT-SCN01, rated 3.7 Vdc, 7.4Whr in this device. Use of any non-Honeywell battery may result in damage not covered by the warranty.

Safety Precautions for Lithium Batteries

- Do not place batteries in fire or heat the batteries.
- Do not store batteries near fire or other high temperature locations.
- Do not store or carry batteries together with metal objects.
- Do not expose batteries to water or allow the batteries to get wet.
- Do not connect (short) the positive and negative terminals, of the batteries, to each other with any metal object.
- Do not pierce, strike or step on batteries or subject batteries to strong impacts or shocks.
- Do not disassemble or modify batteries.



Caution: Danger of explosion if batteries are incorrectly replaced. Dispose of used batteries according to the recycle program for batteries as directed by the governing agency for the country where the batteries are to be discarded.

Proper Disposal of the Battery



When the battery has reached the end of its useful life, the battery should be disposed of by a qualified recycler or hazardous materials handler. Do not incinerate the battery or dispose of the battery with general waste materials. You may send the scanner's battery to us. (postage paid). The shipper is responsible for complying with all federal, state, and local laws and regulations related to the packing, labeling, manifesting, and shipping of spent batteries. Contact the Product Service Department ([page xvii](#)) for recycling or disposal information. Since you may find that your cost of returning the batteries significant, it may be more cost effective to locate a local recycle/disposal company.

Beeper and LED Sequences and Meaning

The scanner contains LEDs on the rear of the unit that indicate linking status, decoding state, and battery condition. The base has LEDs on the top of the unit that indicate its power up, communication, and battery charge condition. The red

LED = error; green LED = success of any type. Scanners and the CCB01-010BT base have audible indicators as well: 1 razz or error tone = error; 2 beeps = menu change; 1 beep = all other successes.

The table below lists the indication and cause of the LED indication, beeps, and vibrations for the scanner.

Scanner LED Sequences and Meaning

LED Indication	Beeper Indication	Vibrate Indication	Cause
Normal Operation			
Red Flash	None	None	Battery low
Green Flash	1 beep	None	Successful communication or linking
Red, blinking	Razz or error tone	None	Failed communication
Menu Operation			
Green Flash	2 beeps	2 vibrations	Successful menu change
Red, blinking	Razz or error tone	1 long vibration	Unsuccessful menu change

Base/Access Point LED Sequences and Meaning

The base contains a red LED and the Access Point has a blue LED that indicate the status of the unit and verifies its communication with the host system. The base also has a green LED that indicates scanner battery charge condition.

Red or Blue LED - Host Communication	
Red or Blue LED	Communication Condition
Off	USB suspend
On continuously	Power on, system idle
Short blinks in multiple pulses. Occurs while transferring data to/ from the RF module or the Host port.	Receiving data
Green LED - Scanner Battery (base only, does not apply to Access Point)	
Green LED	Charge Condition
Off	Battery not detected or charge suspended
Slow flash, 1 second on, 1 second off	Pre-charge and charging
On continuously	Charge complete
Fast flash, 300 mSec on, 300 mSec off	Charge Error

Base Power Communication Indicator

To display the power indicator on a base or an Access Point, scan the **Base Power Communication Indicator On** bar code. To turn off the power indicator, scan the **Off** bar code. *Default = On.*



:*:BASRED1.
*** Base Power Communication
Indicator On**



:*:BASREDO.
**Base Power Communication
Indicator Off**

Reset Scanner

Scanning this bar code reboots the scanner and causes it to relink with the base or Access Point.



RESET_
Reset Scanner

Scan While in Base Cradle

Note: *This feature only applies to the CCB01-010BT base.*

If you want to be able to scan bar codes while the scanner is in the base cradle, scan the **Scan in Cradle On** bar code below. If you want to only allow scanning when the scanner is out of the base cradle, scan **Scan in Cradle Off**. If you want the scanner to shut down when in the base cradle, scan **Shut Down Scanner in Cradle**. *Default = Scan in Cradle On (for CCB01-010BT).*



BT_SIC0.
Scan in Cradle Off



BT_SIC1.
*** Scan in Cradle On**



BT_SIC2.
Shut Down Scanner in Cradle

Base Charge Modes

When the base has both an external power supply (plugged into the auxiliary power port) and a host interface cable, it will draw its power from the external power supply. When the base does not have an external power supply, it draws its power from the interface cable. However, the scanner battery charges more slowly from a host interface cable than if auxiliary power were available. Using the following selections, you can specify whether the scanner battery is charged from power supplied via the host interface cable.

When **Base Charge Off** is selected, the scanner battery does not charge when the scanner is in the base cradle.

When **External or Interface Cable Power** is selected, the scanner battery charges from the base's external power supply, if there is one. If there is no external power supply to the base, the scanner battery charges from the interface cable.

When **External Power Only** is selected, the scanner battery only charges from the base's external power supply. If there is no external power supply, the scanner battery does not charge.

Note: *If you are using a cordless charge base in [Presentation Mode](#), **External Power Only** is the only setting available.*

Default = External or Interface Cable Power.



BASCHG0.
Base Charge Off



BASCHG1.
External or Interface Cable Power



BASCHG2.
External Power Only

Page

Page Mode

By default, the paging button on the base or Access Point pages the scanners associated with that base or Access Point. If you want the paging button on your base or Access Point to be disabled, scan the **Page Mode Off** bar code, below. When Page Mode is off, the base or Access Point will no longer page scanners when

the button is pressed. The red LED on the base or blue LED on the Access Point will remain lit to indicate that Page Mode is off. (This light will go out when the button is pressed, then back on when it's released.) *Default = Page Mode On.*

Note: *If you are using a Xenon 1902h model, refer to [Quiet Operations - LED and Volume Settings](#) on page 145 for additional Page Button settings.*



Page Pitch

When you press the Page button on the base or Access Point, the scanners associated with that base or Access Point will begin beeping (see [Page Button](#) on page 45). You can set the pitch of the paging beep for each scanner by scanning one of the following bar codes. *Default = Low.*



Error Indicators

Beeper Pitch - Base Error

Note: *This feature only applies to the CCB01-010BT base.*

The CCB01-010BT base can be configured to beep at a particular pitch when an error occurs, such as transmission problems to a host system. The beeper pitch codes modify the pitch (frequency) of the error tone the base emits when there is an error. *Default = Low.*



BASFQ2250.
* Razz (250 Hz)



BASFQ23250.
Medium (3250 Hz)



BASFQ24200.
High (4200 Hz)

Number of Beeps - Base Error

Note: This feature only applies to the CCB01-010BT base.

The number of beeps and LED flashes emitted by the CCB01-010BT base for an error condition can be programmed from 1 - 9. For example, if you program this option to have five error beeps, there will be five error beeps and five LED flashes in response to an error. To change the number of error beeps, scan the bar code below and then scan a digit (1-9) from the [Programming Chart](#), beginning on page 341, then **Save**. *Default = 1.*



BASERR.
Number of Base Error Beeps/LED Flashes

Scanner Report

Scan the bar code below to generate a report for the connected scanners. The report indicates the port, work group, scanner name, and address. To assign a name to your scanner, refer to [Menu Command Syntax](#), page 259.



RPTSCN.
Scanner Report

Scanner Address

Scan the bar code below to determine the address of the scanner you are using.



BT_LDA.
Scanner Address

Base or Access Point Address

Scan the bar code below to determine the address of the base or Access Point you are using.



Scanner Modes

Your scanner is capable of working in single scanner mode, multiple scanner mode, or with Bluetooth devices other than the charge base or Access Point.

Charge Only Mode

There may be times when you want to charge your scanner, but not link to the base. For example, if a scanner is linked to an Access Point or other Bluetooth device and you need to charge the scanner, but want to retain your existing link.

In order to program the base for Charge Only Mode, you must link a scanner to it. Once the scanner is linked to the base, scan the Charge Only Mode bar code. Any subsequent scanners placed in that base will charge without linking to it. The scanner used to program the base remains linked to the base. To unlink this scanner, scan [Unlink Scanner](#) on page 55.



Note: *When in Charge Only Mode, the scanner periodically wakes up and beeps. See "Power Up Beeper" on page 5-111 to change this setting.*

Charge and Link Mode

If you want to charge a scanner and link to the base, use Charge and Link Mode. If the base is programmed for Charge Only Mode, you must link a scanner to it first in order to program it for Charge and Link Mode. Scan the linking bar code on the base to link the scanner, then scan Charge and Link Mode. *Default = Charge and Link Mode.*



Linked Modes

Locked Link Mode and Open Link Mode are the link modes that accommodate different applications. Scan the appropriate bar codes included in the Open Link and Locked Link Mode explanations that follow to switch from one mode to another. *Default = Open Link Mode.*

Locked Link Mode - Single Scanner

If you link a scanner to a base or an Access Point using the Locked Link Mode, other scanners are blocked from being linked if they are inadvertently placed into the base, or if the Access Point linking bar code is scanned. If you do place a different scanner into a base, it will charge the scanner, but the scanner will not be linked.



To use a different scanner, you need to unlink the original scanner by scanning the Unlink Scanner bar code. (See [Scanner Modes](#), page 54.)

Open Link Mode - Single Scanner

When newly shipped or defaulted to factory settings, a scanner is not linked to a base or an Access Point. A link is established when the scanner is placed into a base, or an Access Point linking bar code is scanned. When in Open Link Mode, a new link is established when a new scanner is placed in the base, or you scan an Access Point linking bar code. Each time a scanner is placed into a base or scans an Access Point linking bar code, the scanner becomes linked to the base or Access point and the old scanner is unlinked.



Unlink the Scanner

If a base or an Access Point has a scanner linked to it, that scanner must be unlinked before a new scanner can be linked. Once the previous scanner is unlinked, it will no longer communicate with the base or Access Point. To unlink the scanner from a base or an Access Point, scan the Unlink Scanner bar code below.



Override Locked Scanner

If you need to replace a broken or lost scanner that is linked to a base or an Access Point, scan the Override Locked Scanner bar code below with a new scanner and place that scanner in the base, or scan the Access Point linking bar code. The locked link will be overridden; the broken or lost scanner's link with the base or Access Point will be removed, and the new scanner will be linked.



BT_RPL1.

**Override Locked Scanner
(Single Scanner)**

Out-of-Range Alarm

If your scanner is out range of the base, an alarm sounds from both your base and scanner. If your scanner is out range of an Access Point, an alarm sounds from just the scanner. The alarm stops when the scanner is moved closer to the base or Access Point, when the base or Access Point connects to another scanner, or when the alarm duration expires. To activate the alarm options for the scanner or the base and to set the alarm duration, scan the appropriate bar code below and then set the time-out duration (from 0-3000 seconds) by scanning digits on the [Programming Chart](#), beginning on page 341, then **Save**. *Default = 0 sec (no alarm).*



BASORD.

Base Alarm Duration

Note: *The Access Point does not have a base alarm.*



BT_ORD.

Scanner Alarm Duration

Note: *If you are out of range when you scan a bar code, you will receive an error tone even if you do not have the alarm set. You receive the error tone since the data could not be communicated to the base or Access Point or the host.*

Alarm Sound Type

You may change the alarm type for the scanner or a CCB01-010BT base by scanning the appropriate bar code below and then scanning a digit (0-7) bar code from the [Programming Chart](#), beginning on page 341, then **Save**. *Default = 0.*

The sounds are as follows:

Setting	Sound
0	3 long beeps, medium pitch
1	3 long beeps, high pitch
2	4 short beeps, medium pitch
3	4 short beeps, high pitch
4	single chirps, medium pitch
5	2 chirps, then 1 chirp, medium pitch
6	single chirps, high pitch
7	2 chirps, then 1 chirp, high pitch



BASORW.
Base Alarm Type

Note: Only the CCB01-010BT base has an alarm.



BT_ORW.
Scanner Alarm Type

Scanner Power Time-Out Timer

When there is no activity within a specified time period, the scanner enters low power mode. Scan the appropriate scanner power time-out bar code to change the time-out duration (in seconds).

Note: Scanning zero (0) is the equivalent of setting no time-out.

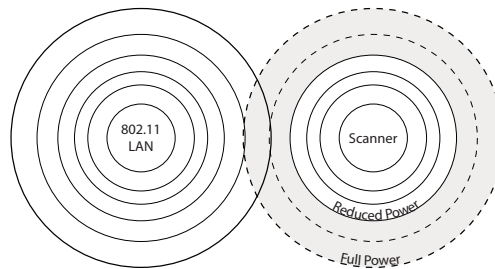
If there are no trigger pulls during the timer interval, the scanner goes into power down mode. Whenever the trigger is enabled, the timer is reset. If the scanner is placed in the charge base cradle and the battery is in the process of being charged, the scanner will not go into power down mode. *Default = 3600 seconds.*



Note: When the scanner is in power down mode, pull the trigger to power the unit back up. There will be a set of power up beeps and a delay of up to a few seconds for the radio to join. The scanner will then be ready to use.

Flexible Power Management

If you are experiencing network performance issues, and suspect the scanner is interfering with other devices, you can turn down the power output of the scanner. This reduces the range between the scanner and a base or an Access Point as shown in the following illustration:



Scan one of the bar codes below to set the scanner's power output to **Full Power** (100%), **Medium Power** (35%), **Medium Low Power** (5%), or **Low Power** (1%).
Default = Full Power.

Note: Setting a Granit scanner to anything lower than Full Power changes it to Class II Bluetooth.



BT_TXP100.
* Full Power



BT_TXP35.
Medium Power



BT_TXP5.
Medium Low Power



BT_TXP1.
Low Power

Batch Mode

Batch mode is used to store bar code data when a scanner is out of range of its base or Access Point, or when performing inventory. The data is transmitted to the base or Access Point once the scanner is back in range or when the records are manually transmitted.

Note: Batch Mode is only supported by the Honeywell Charge and Communication Base (CCB) and Honeywell Access Point (AP). Batch mode has limitations when using multiple scanners to one base or Access Point. If a cordless system is being used in "multiple link mode," where up to 7 scanners are to be connected to one base or Access Point, some accumulated or batched scans could be lost if scanners are constantly being moved in and out of range.

Automatic Batch Mode stores bar code data when the scanner is out of range of the base or Access Point. The data is automatically transmitted to the base or Access Point once the scanner is back in range. When the scanner's buffer space is full, any bar codes scanned generate an error tone. In order to scan bar codes again, the scanner must be moved back into range of the base or Access Point so data can be transmitted.

Inventory Batch Mode stores bar code data, whether or not you are in range of the base or Access Point. To transmit the stored data to the base or Access Point, either place the scanner in the base, or scan [Transmit Inventory Records](#) (page 64). When

the scanner's buffer space is full, any bar codes scanned generate an error tone. In order to scan bar codes again, the data must be transmitted to the base or Access Point. Once the data is transmitted, it is cleared in the scanner.

Persistent Batch Mode is the same as Inventory Batch Mode, except that once the data is transmitted to the base or Access Point, it is retained in the scanner. If you want to transmit more than once, you can do so using this mode. In order to clear the scanner's buffer, you must scan [Clear All Codes](#) (see page 64).

Default = Batch Mode Off.



BATENA0.
*** Batch Mode Off**



BATENA1.
Automatic Batch Mode



BATENA2.
Inventory Batch Mode



BATENA3.
Persistent Batch Mode

Batch Mode Beep

When scanning in [Inventory Batch Mode](#) (page 60), the scanner beeps every time a bar code is scanned. If using a Granit scanner, it also vibrates. When Batch Mode Beep is **On**, you will also hear a click when each bar code is sent to the host. If you do not want to hear these clicks, scan **Batch Mode Beep Off**. *Default = Batch Mode Beep On.*



BATBEP0.
Batch Mode Beep Off



BATBEP1.
*** Batch Mode Beep On**

Batch Mode Storage

When a scanner is storing data during a Batch Mode process, you can select whether the data is stored in Flash memory or in RAM.

Flash Storage: The scanner writes any untransmitted data to flash memory prior to powering down. The data will still be there when the scanner powers back up. However, the scanner will power down, even with untransmitted data, if it reaches a power down timeout or if the battery power is very low.

RAM Storage: The scanner will not power down while it contains data that has not been transmitted to the base or Access Point, even if it reaches a power down timeout. However, if the scanner runs out of battery power, it will power down and the data will be lost.

Default = Flash Storage.



BATNVS1.

* Flash Storage



BATNVS0.

RAM Storage

Batch Mode Quantity

When in Batch Mode, you may wish to transmit the number of multiple bar codes scanned, rather than a single bar code multiple times. For example, if you scan three bar codes called XYZ with **Batch Mode Quantity Off**, when you transmit your data it will appear as XYZ three times. Using **Batch Mode Quantity On** and the Quantity Codes ([page 63](#)), you could output your data as “XYZ, 00003” instead.

Note: *If you wish to format your output, for example, place a CR or tab between the bar code data and the quantity, refer to [Data Format](#) beginning on page 157.*

Default = Batch Mode Quantity Off.



BATQTY0.

* Batch Mode Quantity Off



BATQTY1.

Batch Mode Quantity On

Enter Quantities

Quantity Codes ([page 63](#)) allow you to enter a quantity for the last item scanned, up to 9999 (default = 1). Quantity digits are shifted from right to left, so if a 5th digit is scanned, the 1st digit scanned is discarded and the 2nd, 3rd and 4th digits are moved to the left to accommodate the new digit.

For example, if the Quantity 5 bar code is scanned after the quantity has been set to 1234, then the 1 is dropped, the quantity will be 2345.

Example: Add a quantity of 5 for the last item scanned.

1. Scan the item's bar code.
2. Scan the quantity 5 bar code.

Example: Add a quantity of 1,500 for the last item scanned.

1. Scan the item's bar code.
2. Scan the quantity 1 bar code.
3. Scan the quantity 5 bar code.
4. Scan the quantity 0 bar code.
5. Scan the quantity 0 bar code.

Example: Change a quantity of 103 to 10.

To correct an incorrect quantity, scan the quantity 0 bar code to replace the incorrect digits, then scan the correct quantity bar codes.

1. Scan the quantity 0 bar code to change the quantity to 1030.
2. Scan the quantity 0 bar code to change the quantity to 0300.
3. Scan the quantity 1 bar code to change the quantity to 3001.
4. Scan the quantity 0 bar code to change the quantity to 0010.

Default = 1.

Quantity Codes



Quantity Codes (Continued)



BATNUM4.

4



BATNUM6.

6



BATNUM8.

8



BATNUM5.

5



BATNUM7.

7



BATNUM9.

9

Batch Mode Output Order

When batch data is transmitted, select whether you want that data sent as **FIFO** (first-in first-out), or **LIFO** (last-in first-out). *Default = Batch Mode FIFO.*



BATLIFO.

* **Batch Mode FIFO**



BATLIF1.

Batch Mode LIFO

Total Records

If you wish to output the total number of bar codes scanned when in Batch Mode, scan **Total Records**.



Delete Last Code

If you want to delete the last bar code scanned when in Batch Mode, scan **Delete Last Code**.



Clear All Codes

If you want to clear the scanner's buffer of all data accumulated in Batch Mode, scan **Clear All Codes**.



Transmit Records to Host

If you are operating in Inventory Batch Mode (see [Inventory Batch Mode](#) on page 60), you must scan the following bar code to transmit all the stored data to the host system.



Batch Mode Transmit Delay

Sometimes when accumulated scans are sent to the host system, the transmission of those scans is too fast for the application to process. To program a transmit delay between accumulated scans, scan one of the following delays. *Default = Off.*

Note: *In most cases, a short (250 ms (milliseconds)) delay is ideal, however, longer delays may be programmed. Contact Technical Support ([page xvii](#)) for additional information.*



BATDLY0.
*** Batch Mode Transmit Delay Off
 (No Delay)**



BATDLY250.
**Batch Mode Transmit Delay Short
 (250 ms)**



BATDLY500.
**Batch Mode Transmit Delay Medium
 (500 ms)**



BATDLY1000.
**Batch Mode Transmit Delay Long
 (1000 ms)**

Multiple Scanner Operation

Note: *Multiple Scanner Operation Mode allows you to link up to 7 scanners to one base or Access Point. You cannot join an 8th scanner until you unlink one of the 7 scanners or take a scanner out of range.*

To put the scanner in multiple scanner mode, scan the bar code below. Once you scan this bar code, the scanner is unlinked from the base or Access Point and must either be placed into the base, or you must scan the Access Point linking bar code in order to relink.



BASCON2,DNG3.
Multiple Scanner Operation

Scanner Name

You may assign a name to each scanner you are using for identification purposes. For example, you may want to have a unique identifier for a scanner that is receiving imaging commands sent from the base or Access Point.

The default name is in the format “ScannerName_ModeL_SN_XXXXXXXXXX” If you have more than one scanner linked to a base, and they all have the same name, the first scanner linked to the base receives commands. When renaming a series of scanners with identical names, unlink all except one of the scanners from the base.

Perform the rename operation using either the bar codes on [page 67](#), or by sending the serial command **:ScannerName:BT_NAMNewName**. where *ScannerName* is the current name of the scanner, and *NewName* is the new name for the scanner. If you wish to change the names of additional scanners, link them one at a time and repeat the **:ScannerName:BT_NAMNewName**. command for each scanner.

To rename scanners with sequential, numeric names, scan the bar codes below. Scan the **Reset** code after each name change and wait for the scanner to relink to the base or Access Point before scanning a bar code to rename the next scanner.



BT_NAM0001.
0001



BT_NAM0002.
0002



BT_NAM0003.
0003



BT_NAM0004.
0004



BT_NAM0005.
0005



BT_NAM0006.
0006



BT_NAM0007.
0007



RESET_
Reset

You may also scan the **Scanner Name** bar code below and scan a number for the scanner name. For example, if you wanted to name the linked scanner “312,” you would scan the bar code below, scan the 3, 1, and 2 bar codes on the [Programming Chart](#), beginning on page 341, then **Save**. Scan the **Reset** bar code and wait for the scanner to relink to the base.



Application Work Groups

Your cordless system can have up to 7 scanners linked to one base or Access Point. You can also have up to 7 work groups. If you want to have all of the scanners’ settings programmed alike, you don’t need to use more than 1 work group. If you want each scanner to have unique settings (e.g., beeper volume, prefix/suffix, data formatter), then you may program each scanner to its own unique work group and may program each scanner independently. For example, you might want to have multiple work groups in a retail/warehouse application where you need to have different data appended to bar codes used in the warehouse area versus the retail area. You could assign all the scanners in the retail area to one work group and those in the warehouse to another. Consequently, any desired changes to either the retail or warehouse area would apply to all scanners in that particular work group. Honeywell’s online configuration tool, EZConfig-Scanning ([page 254](#)), makes it easy for you to program your system for use with multiple scanners and multiple work groups.

The scanner keeps a copy of the menu settings it is using. Whenever the scanner is connected or reconnected to a base or an Access Point, the scanner is updated with the latest settings from the base or Access Point for its work group. The scanner also receives menu setting changes processed by the base or Access Point. If a scanner is removed from a base or an Access Point and placed into another base or linked to another Access Point, it will be updated with the new base/Access Point settings for whatever work group to which that the scanner was previously assigned. For example, if the scanner was in work group 1 linked to the first base, it will be placed in work group 1 in the second base with the associated settings.

Application Work Group Selection

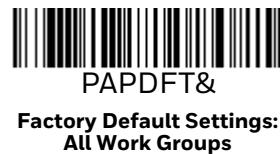
This programming selection allows you to assign a scanner to a work group by scanning the bar code below. You may then program the settings (e.g., beeper volume, prefix/suffix, data formatter) that your application requires. *Default = Group 0.*





Reset the Factory Defaults: All Application Work Groups

The following bar code defaults all of the work groups to the factory default settings.



To see what the factory default settings are, refer to the table of [Menu Commands](#), beginning on page 264. The standard product default settings for each of the commands are indicated by an asterisk (*).

Note: *Scanning this bar code also causes both the scanner and the base or Access Point to perform a reset and become unlinked. The scanner must be placed in the base, or the Access Point linking bar code must be scanned to re-establish the link. Refer to [Scanner Modes](#), page 54 for additional information.*

If your scanner is in multiple scanner mode, you will hear up to 30 seconds of beeping while all scanners are relinked to the base or Access Point and the settings are changed.

Reset the Custom Defaults: All Application Work Groups

If you want the custom default settings restored to all of the work groups, scan the **Custom Product Default Settings** bar code below. (If there are no custom defaults, it will reset the work groups to the factory defaults.) See [Set Custom Defaults](#) on page 12 for further information about custom defaults.



PAPDFT.

**Custom Default Settings:
All Work Groups**

Note: Scanning this bar code also causes both the scanner and the base or Access Point to perform a reset and become unlinked. The scanner must be placed in its base, or the Access Point linking bar code must be scanned to re-establish the link. Refer to [Scanner Modes](#), page 54 for additional information.

If your scanner is in multiple scanner mode, you will hear up to 30 seconds of beeping while all scanners are relinked to the base or Access Point and the settings are changed.

Use the Scanner with Bluetooth Devices

The scanner can be used either with the charge base, an Access Point, or with other Bluetooth devices. Those devices include personal computers, laptops, PDAs, and Honeywell mobility systems devices.

Bluetooth Secure Simple Pairing (SSP)

Secure Simple Pairing (SSP) allows you to connect simply and securely to other Bluetooth devices without having to enter a PIN code (as described in [Bluetooth HID Keyboard Connect](#) procedure). SSP is only available when using Bluetooth version 2.1 or higher. When SSP is on, no PIN is required for pairing. Turn SSP off if you are connecting to a Bluetooth device that is not using a compatible Bluetooth version. *Default = Bluetooth SSP On.*

Note: SSP is only available with Granit 1981i scanner.



BT_SSP1.

*** Bluetooth SSP On**



BT_SSP0.

Bluetooth SSP Off

Bluetooth HID Keyboard Connect

Your scanner can be paired with Bluetooth-capable devices, such as personal computers, laptops, and tablets, so that scanned data appears on your device screen as though it was entered on the keyboard. In order to pair with the Bluetooth device:

1. Scan the appropriate **Bluetooth HID Keyboard Connect** bar code below.



2. Set your personal computer, laptop or tablet so it searches for other Bluetooth devices. (Refer to your device's User's Guide for pairing instructions.)
3. Select the scanner name on your device. Some devices will automatically pair with the scanner. If your device pairs automatically with the scanner, it displays a successful pairing message and you do not need to continue to the next step.
4. If your device does not automatically pair with the scanner, a PIN is displayed. This PIN must be scanned within 60 seconds. Quickly scan **Bluetooth PIN Code** below, then scan the numeric bar code(s) for the PIN code from the chart below, then scan **Save**.





Virtual Keyboard

Once your scanner has been connected directly to an iPad, smart phone, or laptop, you can toggle the virtual keyboard on your device with a quick double pull of the scanner trigger.

Bluetooth HID Keyboard Disconnect

If your scanner has been connected directly to an iPad, smart phone, or laptop using [Bluetooth HID Keyboard Connect](#) (page 70), you must disconnect it in order to once again communicate with the base or Access Point. Scan the **Bluetooth HID Keyboard Disconnect** bar code to unlink the scanner from the currently linked host. Scan the linking bar code on the base or Access Point to relink the scanner.



Bluetooth Serial Port - PCs/Laptops

Scanning the **Non-Base BT Connection** bar code below unlinks your scanner and puts it into a discoverable state. Once the scanner searches for and connects with a Bluetooth host, the scanner stores the connection to the host device address and switches virtual COM ports. This allows the scanner to automatically relink to the host if the connection is lost.



BT_TRM0;BT_DNG5.
Non-Base BT Connection

PDA/Mobility Systems Devices

You may also use the scanner with a PDA or a Honeywell Mobility Systems device. Scan the bar code below and follow the instructions supplied with your Bluetooth device to locate the scanner, and connect with it.



BT_TRM0;BT_DNG1.
BT Connection - PDA/Mobility Systems Device

Change the Scanner's Bluetooth PIN Code

Some devices require a PIN code as part of the Bluetooth security features. Your scanner's default PIN is 1234, which you may need to enter the first time you connect to your PDA or PC. The PIN code must be between 1 and 16 characters. To change the PIN, scan the bar code below and then scan the appropriate numeric bar codes from the [Programming Chart](#), beginning on page 341, then **Save**.



BT_PIN.
Bluetooth PIN

Minimize Bluetooth/ISM Band Network Activity

The settings described below can help you customize the relinking behavior of the cordless area-imaging system to obtain the best compromise between convenience and low interference.

Note: *ISM band refers to the 2.4 to 2.48 GHz frequency band used by wireless networks, cordless phones, and Bluetooth.*

Auto Reconnect Mode

Auto Reconnect controls whether or not the scanner automatically begins the relink process when a loss of connection is detected. When the **Auto Reconnect On** bar code is scanned, the scanner begins the relink process immediately, without user intervention. *Default = Auto Reconnect On.*



BT_ACM1.

* **Auto Reconnect On**



BT_ACM0.

Auto Reconnect Off

Note: *If you are connecting to a Bluetooth Interface Module, set Auto Reconnect to **Off**.*

The table below shows the results of the Auto Reconnect On and Off settings:

Event	Auto Reconnect On	Auto Reconnect Off
Scanner out of range	Relink occurs automatically. If maximum number of link attempts is unsuccessful, then the scanner must be relinked by either pulling the trigger, placing the scanner in the base, or scanning the Access Point linking bar code. (See Maximum Link Attempts on page 73.)	The scanner is relinked by pulling the trigger, or scanning the Access Point linking bar code.
Base or Access point reset (firmware upgrade or power cycle)	Scanner behaves as if out of range.	No attempt to relink made while base or Access Point is powered off. Trigger must be pulled to initiate relinking.
Scanner power down due to Power Time-Out Timer setting	Trigger must be pulled, Access Point linking bar code must be scanned, or the scanner must be placed in the base unit to relink. (Note: scanner relinks on power up, but powers on due to one of the above actions.)	
Scanner reset due to firmware upgrade	Relink occurs automatically.	
Scanner reset due to battery change	Relink occurs automatically.	
Scanner placed in different base unit	Relink to new base occurs automatically.	

Maximum Link Attempts

The Maximum Link Attempts setting controls the number of times the scanner tries to form a connection with a base or an Access Point. During the connection setup process, the scanner transmits in order to search for and connect to a base

or an Access Point. In order to prevent continuous transmissions that could interfere with other users of the ISM band, the number of attempts to connect is limited by this setting. After the maximum number of attempts is reached, the scanner will not attempt to reconnect to a base or an Access Point. Pressing the trigger, scanning an Access Point linking bar code, or placing the scanner in the cradle resets the attempt count and the scanner will again try to link.

Scan the **Maximum Link Attempts** bar code, then scan the number of attempts for the setting (from 0-100) from the [Programming Chart](#), beginning on page 341, then **Save**. *Default = 0.*



Note: *When Auto Reconnect Mode is On, setting Maximum Link Attempts to zero will cause the scanner to try to link until the Power Time-Out Timer setting expires. When Auto Reconnect Mode is Off, setting Maximum Link Attempts to zero will cause the scanner to only attempt linking one time after a trigger pull.*

Relink Time-Out

Relink Time-Out controls the idle time between relink attempts. An attempt to link a scanner to a base or an Access Point typically lasts up to 5 seconds. This is the time when the scanner is actually attempting a contact. Relink Time-Out controls the amount of time, in seconds, that elapses between the end of one connection attempt and the start of the next.

Note: *The length of time for an attempt depends on the number of scanners connected to a base unit or Access Point. An extra 7 seconds may be required when a connection is successful.*

Scan the **Relink Time-Out** bar code, then scan the number of seconds for the setting (from 1-100) from the [Programming Chart](#), beginning on page 341, then **Save**. *Default = 3 seconds.*



Bluetooth/ISM Network Activity Examples

Default values

When the scanner goes out of range, the scanner repeatedly attempts to connect to the base unit or Access Point. Each attempt consists of approximately 5 seconds of active time followed by 3 seconds of idle time. After one hour, the scanner powers off and batch mode data is lost.

Example: Maximum Link Attempts set to 15
Other values at default setting

When the scanner goes out of range, 15 attempts are made to link to the base unit or Access Point. Each attempt consists of approximately 5 seconds of active time followed by 3 seconds of idle time. After 15 cycles ($8 \times 15 = 120$), or about 2 minutes, the scanner stops trying to connect to the base or Access Point, but retains any bar codes that may have been saved in batch mode. After one hour, the scanner powers off and batch mode data is lost.

Example: Auto Reconnect Mode set to 0
Maximum Link Attempts set to 15
Other values at default setting

When the scanner goes out of range, no action is taken to relink. When the trigger is pulled, 15 attempts are made to link to the base or Access Point. Each attempt consists of approximately 5 seconds of active time followed by 3 seconds of idle time. After 15 cycles ($8 \times 15 = 120$), or about 2 minutes, the scanner stops trying to connect to the base or Access Point, but retains any bar codes that may have been saved in batch mode. After one hour, the scanner powers off and batch mode data is lost. Refer to [Auto Reconnect Mode](#), page 73, to review other events that can start the relink process.

Example: Auto Reconnect Mode set to 1
Maximum Link Attempts set to 0
Relink Time-Out set to 10
Scanner Power Time-Out Timer set to 1800

Note: See [Scanner Power Time-Out Timer](#) on page 57.

The scanner attempts to connect to the base or Access Point every 15 seconds, measured from one attempt start to the next attempt start. After one half hour, the scanner powers off.

Host Acknowledgment

Some applications require that the host terminal (or server) validate incoming bar code data (database look-up) and provide acknowledgment to the scanner whether or not to proceed. In Host ACK Mode, the scanner waits for this acknowledgment after each scan. Visual and audible acknowledgments provide valuable

feedback to the scan operator. The Host ACK functionality is controlled via a number of pre-defined escape commands that are sent to the scanner to make it behave in different ways.

Note: *System performance degrades when using Host ACK at rates lower than 9600 baud.*

The following criteria must be met for the Host ACK to work correctly:

- The cordless system must be configured for Host Port RS232 (terminal ID = 000) or USB COM Emulation (terminal ID = 130).
- RTS/CTS is defaulted off. You must enable it if the host system requires it.
- Host ACK must be set to **On** (page 77).
- A comma must be used as a terminator.
- The host terminal software must be capable of interpreting the bar code data, make decisions based on the data content, and send out appropriate escape commands to the scanner.

Escape commands are addressed to the scanner via “Application Work Groups.” Once a command is sent, all scanners in a group respond to that command. Because of this, **it is recommended that each scanner is assigned to its own group in Host ACK mode.**

The commands to which the scanner responds are listed on page 77. The **[ESC]** is a **1B** in hex. A typical command string is **y [ESC] x**, where “y” is the application work group number, “[ESC] x” is the escape command, and the comma is the terminator, which is required. (When “y” is not specified, the command is sent to the default Application Work Group 0.)

Example: Commands may be strung together to create custom response sequences. An example of a command string is listed below.

[ESC]4,[ESC]5,[ESC]6,

The above example will make a scanner that is in application work group zero beep low, then medium, then high.

Example: A good read beep is required for any item on file, but a razz or error tone is required if the item is not on file. In this case,

[ESC]7, is sent from the host to the scanner for an on-file product

[ESC]8,[ESC]8, is sent from the host to the scanner for a not-on-file product

When a bar code is scanned, the scanner enters a timeout period until either the host ACK sequence is received, or the timeout expires (in 10 seconds, by default).

Once Host ACK is enabled, the system works as follows when a bar code is scanned:

- The scanner reads the code and sends data to the base or Access Point to transmit to the host system. No audible or visual indication is emitted until the scanner receives an escape command. The scanner read illumination goes out when there’s a successful read.

- Scanner operation is suspended until 1) a valid escape string is received from the host system or 2) the scanner times out.
- Once condition 1 or 2 above has been met, the scanner is ready to scan again, and the process repeats.

A time-out occurs if the scanner does not receive a valid escape command within 10 seconds. A time-out is indicated by an error tone. If a time-out occurs, the operator should check the host system to understand why a response to the scanner was not received.

Host ACK On/Off



Host ACK Timeout

You can set a timeout for the length of time the scanner waits for a valid escape command when using Host Acknowledgment Mode. Set the length (in seconds) for a timeout by scanning the following bar code, then setting the timeout (from 1-90 seconds) by scanning digits from the [Programming Chart](#), beginning on page 341, then **Save**. *Default = 10.*



Host ACK Responses

Command	Action
[ESC] a,	Double beeps to indicate a successful menu change was made.
[ESC] b,	Razz or error tone to indicate a menu change was unsuccessful.
[ESC] 1,	The green LED illuminates for 135 milliseconds followed by a pause.
[ESC] 2,	The green LED illuminates for 2 seconds followed by a pause.
[ESC] 3,	The green LED illuminates for 5 seconds followed by a pause.
[ESC] 4,	Emits a beep at a low pitch.
[ESC] 5,	Emits a beep at a medium pitch.
[ESC] 6,	Emits a beep at a high pitch.

Command	Action
[ESC] 7,	Beeps to indicate a successful decode and communication to host.
[ESC] 8,[ESC] 8,	Razz or error tone to indicate a decode/communication to host was unsuccessful.

CORDLESS SYSTEM OPERATION: XENON 1902G-BF

Note: This chapter applies only to Xenon 1902g-BF cordless scanning systems. It does not apply to corded scanners, Xenon 1902g/1912, or Granit 1911i/1981i scanners. See [Cordless System Operation: Xenon 1902g/1912 and Granit 1911i/1981i](#) beginning on page 41 for other Xenon and Granit cordless scanning systems.

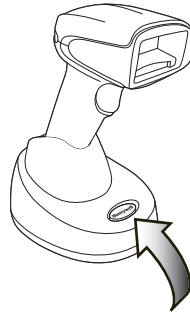
How the CCB01-010BT-BF Cordless Charge Base Works

A cordless charge base provides the link between the cordless scanner and the host system. The base contains an interface assembly and an RF communication module. The RF communication module performs the data exchange between the cordless scanner and the interface assembly. The control assembly coordinates the central interface activities including: transmitting/receiving commands and data to/from the host system, performing software activities (parameter menuing, visual indicator support, power-on diagnostics), and data translation required for the host system.

The cordless charge base is also a scanner's instant charge pack charger. Refer to [Charge Information](#), page 83, for additional information.

Link the Scanner to a Charge Base

Xenon Scanner



CCB01-010BT-BF Charge Base Page Button and Base LEDs

When the base is connected and powered up, put the scanner in the base to establish a link. The green LED on the base flashes to indicate the scanner's instant charge pack is charging.

Note: *The scanner's instant charge pack must be charged to establish a link with the base.*

If the scanner and base have previously been linked, you do not receive any feedback. If this is the first time that the scanner and base are linked, both devices emit a short chirp when their radios link. At this point, that one scanner is linked to one base.

The linking sound can be turned on or off. See [Linking Sound](#) on page 91.

To determine if your scanner has linked to the base correctly, scan one of the sample bar codes beginning on [page 339](#). If the scanner provides a single good read beep and the green LED lights, the scanner has successfully linked to the base. If you receive an error tone and the red LED lights, the scanner has not linked to the base. Refer to [page 325](#) for troubleshooting information.

Replace a Linked Scanner

If you need to replace a broken or lost scanner that is linked to a base, scan the Override Locked Scanner bar code below with a new scanner and place that scanner in the base. The locked link will be overridden, the broken or lost scanner's link with the base will be removed, and the new scanner will be linked.



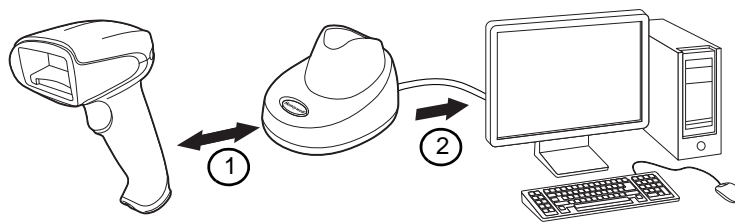
BT_RPL1.

**Override Locked Scanner
(Single Scanner)**

Communication Between the Cordless System and the Host

The cordless scanner provides immediate feedback in the form of a “good read” indication with a green LED on the scanner and an audible beep. This indicates that the bar code has been scanned correctly and the base has acknowledged receiving the data. This is possible since the cordless system provides two-way communication between the scanner and the base.

When data is scanned, the data is sent to the host system via the base. The cordless scanner recognizes data acknowledgment (ACK) from the base. If it cannot be determined that the data has been properly sent to the base, the scanner issues an error indication. You must then check to see if the scanned data was received by the host system.



1. Scanner reads code and gets ACK from base.
2. Base sends data to host.

Program the Scanner and Base

When using the scanner and charge base together as a system, menu parameters and configuration settings are stored in the charge base. Therefore, when programming any menu configuration settings, the scanner must be linked to the charge base.

Note: *This only applies when the scanner is linked to a charge base. If the scanner is in a non-base mode, configuration settings are stored in the scanner.*

RF (Radio Frequency) Module Operation

The cordless system uses a two-way, low energy, Bluetooth® radio to transmit and receive data between the scanner and the base. It provides single-point to single-point communication. The radio operates using a license free ISM band, which sends relatively small data packets at a fast data rate over a radio signal with randomly changing frequencies, makes the cordless system highly responsive to a wide variety of data collection applications and resistant to noisy RF environments.

The CCB01-010BT-BF (Bluetooth Class 2) provides a communication range of 33 feet (10m) between the scanner and base, depending on the environment. See [Flexible Power Management](#), page 97, for information about controlling this range.

System Conditions

The components of the cordless system interact in specific ways as you associate a scanner to a base, as you move a scanner out of range and bring a scanner back in range. The following information explains the cordless system operating conditions.

Link Process

Once a scanner is placed into a cordless charge base, the scanner's instant charge pack status is checked, and software automatically detects the scanner and links it to the base depending on the selected link mode.

Scanner Is Out of Range

The cordless scanner is in communication with its base, even when it is not transmitting bar code data. Whenever the scanner can't communicate with the base for a few seconds, it is out of range. If the scanner is out of range and you scan a bar code, the scanner issues an error tone indicating no communication with the base. A cordless charge base can also sound an alarm. Refer to [Out-of-Range Alarm](#), page 95.

Scanner Is Moved Back Into Range

The scanner relinks if the scanner or the base have been reset, or the scanner comes back into range. If the scanner relinks, you will hear a single chirp when the relinking process (uploading of the parameter table) is complete. Refer to [Out-of-Range Alarm](#) on page 95 for further information.

Out of Range and Back into Range with Batch Mode On

The scanner may store a number of symbols (approximately 500 U.P.C. symbols; others may vary) when it is out of range and then send them to the base when back in range (see [Batch Mode](#) on page 98).

You will not hear a communication error tone in this mode, but you will hear a short buzz when you pull the trigger if the radio communication is not working. Once the radio connection is made, the scanner produces a series of beeps while the data is being transferred to the base.

About the Instant Charge Pack

Power is supplied to the cordless scanner by a rechargeable instant charge pack that is integrated in the scanner handle. The instant charge pack must be charged before initial use. When the scanner is not in use, return it to the base. The model CCB01-010BT-BF base is designed for use with the Honeywell model Xenon 1902g-BF scanner.

Charge Information

The instant charge pack is designed to charge while the scanner is positioned in the cordless base unit. Refer to [Base](#), page 86, for an interpretation of the Charge Status indicators. Refer to [Charge Only Mode](#) (page 93) if you need to charge a scanner without linking it to the base.

Place the scanner in the base that is connected to an appropriate power supply. Use only a Listed Limited Power Source (LPS) or Class 2 type power supply with output rated 5 to 5.2Vdc, 1A.



Caution: The Xenon 1902g-BF scanner can only be charged by CCB01-010BT-BF base. Use of any non-Honeywell power supply may result in damage not covered by the warranty.

Note: *If you are powering the base through the interface cable (for example, a USB cable) and not using an external power supply plugged into the aux port, the current available for charging is reduced and charge times are increased. Charge times can be improved by connecting the interface cable to a BC 1.2 compliant USB charge port. Charging via the power supply is fastest.*

The AC adapter should be plugged into the connector in the bottom of the base. Using the interface cable power link is not recommended and will significantly increase charge times.

Beeper and LED Sequences and Meaning

The scanner contains LEDs on the rear of the unit that indicate linking status, decoding state, and instant charge pack condition. The base has LEDs on the top of the unit that indicate its power up, communication, and instant charge pack condition.

Scanner

Scanner Communication and Scanning

The following feedback is provided by the scanner and indicates communication and scanning status.

LED Indication	Beeper Indication	Cause
Normal Operation		
Red Flash	None	Charge pack low
Green Flash	1 beep	Successful communication or linking
Red, blinking	Razz or error tone	Failed communication
Menu Operation		
Green Flash	2 beeps	Successful menu change
Red, blinking	Razz or error tone	Unsuccessful menu change

Scanner Charge Pack Status

The following charge status feedback is provided by the scanner when the scanner is out of the base and has been idle for 5 seconds.

Scanner LED	Scanner Beep	Charge Level	Approximate Expected Scans*
Yellow 3 sets of flashes	2 short beeps per flash	30%	100
Red 3 sets of flashes	2 short beeps per flash	10%	50

* The number of scans was measured with a clearly printed UPC code in good light. The approximate number of scans varies with changes in label quality, symbology, and environmental factors.

Low Power Alerts

Low power alerts allow you to customize the scanner LEDs to flash in different patterns when the scanner charge level is low. Use the bar codes that follow to customize the settings for the power range being configured, the number of flashes per alert, the interval between flashes, the number of alerts, and the interval between alerts. The beeper can also be set to silent, or to sound with the flash patterns.

Low Power Alert Range

Set the power range that will trigger a low power alert. *Default = 10-30%.*



***Low Power Alert 10-30%**



Low Power Alert 10-50%

Low Power Alert Flash Number

You can program the scanner's LEDs to flash up to 9 times for the low power alert. If the [Low Power Alert Beep](#) (page 86) is on, a double beep will sound with each flash. To set the number of low power flashes, scan the bar code below and then scan a digit (1-9) bar code from the [Programming Chart](#), beginning on page 341, then **Save**. *Default = 3 flashes.*



Low Power Alert Flash Number

Interval Between Flashes

Set the length of time, in seconds, between the LED flashes for a low power alert. To set the interval, scan the bar code below and then scan a digit (1-9) bar code from the [Programming Chart](#), beginning on page 341, then **Save**. *Default = 2 seconds between flashes.*



Interval Between Flashes

Low Power Alert Repeat

Set how many times you want the low power flash pattern (flashes and intervals) to repeat. To set the number, scan the bar code below and then scan a digit (1-5) bar code from the [Programming Chart](#), beginning on page 341, then **Save**. *Default = 1.*



Low Power Alert Repeat

Interval Between Alerts

If you have set the [Low Power Alert Repeat](#) (page 85) to more than 1, you can set the length of time, in seconds, between the low power alerts. To set this interval, scan the bar code below and then scan a digit (10-120) bar code from the [Programming Chart](#), beginning on page 341, then **Save**. *Default = 10 seconds between alerts.*



LPI_DL.

Interval Between Alerts

Low Power Alert Beep

If you do not want the beeper to sound for a low power alert, scan the **Low Power Alert Beep Off** bar code. Any low power alert settings will still flash the scanner LEDs, whether or not the beeper sounds. *Default = Low Power Alert Beep On.*



LPIBEP0.

Low Power Alert Beep Off



LPIBEP1.

*Low Power Alert Beep On

Base

The base contains colored LEDs that indicate the status of the unit, verifies its communication with the host system, and indicates scanner instant charge pack condition.

Base Communication and Scanning

The following feedback is provided by the base and indicates communication and scanning status.

Red LED - Host Communication	
Red LED	Communication Condition
Off	USB suspend
On continuously	Host communication available

Red LED - Host Communication	
Red LED	Communication Condition
Short blinks in multiple pulses. Occurs while transferring data to/from the RF module or the host port.	Receiving/sending data

Base Charge Status

When charging, the base indicates the progress while the scanner resides in the base.

Base Button/LED	Charge Level	Approximate Expected Scans*
Green on	100%	450
Green slow blink	50-99%	200
Green fast blink	30-50%	100
Yellow fast blink	0-30%	Charging - do not scan

* The number of scans was measured with a clearly printed UPC code in good light. The approximate number of scans varies with changes in label quality, symbology, and environmental factors.

Base Power Communication Indicator

To display the power indicator on a base, scan the **Base Power Communication Indicator On** bar code. To turn off the power indicator, scan the **Off** bar code. Default = On.



Reset Scanner

Scanning this bar code reboots the scanner and causes it to relink with the base.



Base Charge Modes

When the base has both an external power supply (plugged into the auxiliary power port) and a host interface cable, it will draw its power from the external power supply. When the base does not have an external power supply, it draws its power from the interface cable. However, the scanner instant charge pack charges more slowly from a host interface cable than if auxiliary power were available. Using the following selections, you can specify whether the scanner instant charge pack is charged from power supplied via the host interface cable.

When **Base Charge Off** is selected, the scanner instant charge pack does not charge when the scanner is in the base cradle.

When **External or Interface Cable Power** is selected, the scanner instant charge pack charges from the base's external power supply, if there is one. If there is no external power supply to the base, the scanner instant charge pack charges from the interface cable.

When **External Power Only** is selected, the scanner instant charge pack only charges from the base's external power supply. If there is no external power supply, the scanner instant charge pack does not charge.

Default = External or Interface Cable Power.



BASCHG0.
Base Charge Off

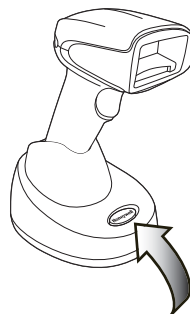


BASCHG1.
External or Interface Cable Power



BASCHG2.
External Power Only

Page Button with Scanner Out of the Base



When the scanner is out of the base, press the page button on the base to make the associated scanner start beeping (3 short and 1 long beep). If you pull the trigger on a scanner that is beeping in response, or press the Page button on the base a second time, the scanner stops beeping. See [Paging](#) on page 90 for further information about Page Button settings.

Page Button with Scanner in the Base

When the scanner is in the base, press the page button on the base to begin Streaming Presentation Mode. The scanner acts as a presentation scanner for 10 seconds. If a bar code is scanned before the 10 second timeout is reached, the timer starts over. Lift the scanner from the base to return to manual triggering. To change the timeout from 10 seconds see [Temporary Streaming Presentation Timeout](#) on page 89.

Temporary Streaming Presentation Timeout

Set a timeout for the length of time the illumination remains on and searching for bar codes when using Temporary Streaming Presentation Mode. Set the length for the timeout by scanning one of the bar codes below. *Default = 10,000 ms (10 seconds).*



TRGTPM10000.

***10 Second Timeout**



TRGTPM30000.

30 Second Timeout



TRGTPM60000.

1 Minute Timeout



TRGTPM120000.

2 Minute Timeout



TRGTPM180000.

3 Minute Timeout

See [Paging](#), below, for further information about Page Button settings.

Scan While in Base Cradle

If you want to be able to scan bar codes while the scanner is in the base cradle, scan the **Scan in Cradle On** bar code below. If you want to only allow scanning when the scanner is out of the base cradle, scan **Scan in Cradle Off**. If you want the scanner to shut down when in the base cradle, scan **Shut Down Scanner in Cradle**.
Default = Scan in Cradle On.



BT_SIC0.
Scan in Cradle Off



BT_SIC1.
*** Scan in Cradle On**



BT_SIC2.
Shut Down Scanner in Cradle

Paging

Page Mode

When the scanner is out of the base, the paging button on the base pages the scanner associated with that base. If you want to disable the paging button, scan the **Page Mode Off** bar code, below. When Page Mode is off, the base will no longer page the scanner when the button is pressed and no scanner is in the base. The red LED on the base remains lit to indicate that Page Mode is off. (This light will go out when the button is pressed, then back on when it's released.) *Default = Page Mode On.*



BEPPGE1.
*** Page Mode On**



BEPPGE0.
Page Mode Off

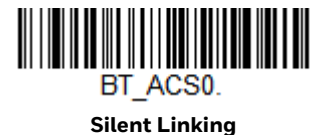
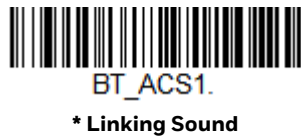
Page Pitch

When the scanner is out of the base and you press the Page button, the scanner associated with that base begins beeping. You can set the pitch of the paging beep for the scanner by scanning one of the following bar codes. *Default = Low.*



Linking Sound

Under normal operations, the scanner clicks when linking to a base. If you want to silence this sound, scan the **Silent Linking** bar code below. To return to the default clicking sound, scan **Linking Sound**. *Default = Linking Sound.*



Error Indicators

Beeper Pitch - Base Error

The base can be configured to beep at a particular pitch when an error occurs, such as transmission problems to a host system. The beeper pitch codes modify the pitch (frequency) of the error tone the base emits when there is an error. *Default = Low.*



BASFQ2250.
* Razz (250 Hz)



BASFQ23250.
Medium (3250 Hz)



BASFQ24200.
High (4200 Hz)

Number of Beeps - Base Error

The number of beeps and LED flashes emitted by the base for an error condition can be programmed from 1 - 9. For example, if you program this option to have five error beeps, there will be five error beeps and five LED flashes in response to an error. To change the number of error beeps, scan the bar code below and then scan a digit (1-9) from the [Programming Chart](#), beginning on page 341, then **Save**.
Default = 1.



BASERR.
Number of Base Error Beeps/LED Flashes

Scanner Report

Scan the bar code below to generate a report for the connected scanner. The report indicates the port, scanner name, and address. To assign a name to your scanner, refer to [Menu Command Syntax](#), page 259.



RPTSCN.
Scanner Report

Scanner Address

Scan the bar code below to determine the address of the scanner you are using.



BT_LDA.
Scanner Address

Base Address

Scan the bar code below to determine the address of the base you are using.



.*:BASLDA.

Base Address

Scanner Modes

Charge Only Mode

There may be times when you want to charge your scanner, but not link to the base. In order to program the base for Charge Only Mode, you must link the scanner to it. Once the scanner is linked to the base, scan the Charge Only Mode bar code. Any subsequent scanners placed in that base will charge without linking to it. The scanner used to program the base remains linked to the base. To unlink this scanner, scan [Unlink Scanner](#) on page 94.



.*:BASLNKD.

Charge Only Mode

Note: When in Charge Only Mode, the scanner periodically wakes up and beeps. See [Power Up Beeper](#) on page 111 to change this setting.

Charge and Link Mode

If you want to charge a scanner and link to the base, use Charge and Link Mode. If the base is programmed for Charge Only Mode, you must link a scanner to it first in order to program it for Charge and Link Mode. Scan the linking bar code on the base to link the scanner, then scan Charge and Link Mode. *Default = Charge and Link Mode.*



.*:BASLNK1.

*** Charge and Link Mode**

Linked Modes

Locked Link Mode and Open Link Mode are the link modes that accommodate different applications. Scan the appropriate bar codes included in the Open Link and Locked Link Mode explanations that follow to switch from one mode to another. *Default = Open Link Mode.*

Locked Link Mode - Single Scanner

If you link a scanner to a base using the Locked Link Mode, other scanners are blocked from being linked if they are inadvertently placed into the base. If you do place a different scanner into a base, it will charge the scanner, but the scanner will not be linked.



To use a different scanner, you need to unlink the original scanner by scanning the Unlink Scanner bar code. (See [Scanner Modes](#), page 93.)

Open Link Mode - Single Scanner

When newly shipped or defaulted to factory settings, a scanner is not linked to a base. A link is established when the scanner is placed into a base. When in Open Link Mode, a new link is established when a new scanner is placed in the base. Each time a scanner is placed into a base, the scanner becomes linked to the base and the old scanner is unlinked.



Unlink the Scanner

If a base has a scanner linked to it, that scanner must be unlinked before a new scanner can be linked. Once the previous scanner is unlinked, it will no longer communicate with the base. To unlink the scanner from a base, scan the Unlink Scanner bar code below.



Override Locked Scanner

If you need to replace a broken or lost scanner that is linked to a base, scan the Override Locked Scanner bar code below with a new scanner and place that scanner in the base. The locked link is overridden, the broken or lost scanner's link with the base is removed, and the new scanner is linked to the base.



BT_RPL1.

**Override Locked Scanner
(Single Scanner)**

Out-of-Range Alarm

If your scanner is out range of the base, an alarm sounds from both your base and scanner. The alarm stops when the scanner is moved closer to the base, when the base connects to another scanner, or when the alarm duration expires. To activate the alarm options for the scanner or the base and to set the alarm duration, scan the appropriate bar code below and then set the time-out duration (from 0-3000 seconds) by scanning digits on the [Programming Chart](#), beginning on page 341, then **Save**.



BASORD.

Base Alarm Duration



BT_ORD.

Scanner Alarm Duration

Note: *If you are out of range when you scan a bar code, you will receive an error tone even if you do not have the alarm set. You receive the error tone since the data could not be communicated to the base or the host.*

Alarm Sound Type

You may change the alarm type for the scanner or a base by scanning the appropriate bar code below and then scanning a digit (0-7) bar code from the [Programming Chart](#), beginning on page 341, then **Save**. *Default = 0.*

The sounds are as follows:

Setting	Sound
0	3 long beeps, medium pitch
1	3 long beeps, high pitch
2	4 short beeps, medium pitch

Setting	Sound
3	4 short beeps, high pitch
4	single chirps, medium pitch
5	2 chirps, then 1 chirp, medium pitch
6	single chirps, high pitch
7	2 chirps, then 1 chirp, high pitch



BASORW.
Base Alarm Type



BT_ORW.
Scanner Alarm Type

Scanner Power Time-Out Timer

When there is no activity within a specified time period, the scanner enters low power mode. Scan the appropriate scanner power time-out bar code to change the time-out duration (in seconds).

Note: Scanning zero (0) is the equivalent of setting no time-out.

If there are no trigger pulls during the timer interval, the scanner goes into power down mode. Whenever the trigger is enabled, the timer is reset. If the scanner is placed in the base and the instant charge pack is in the process of being charged, the scanner will not go into power down mode. *Default = 400 seconds.*



BT_LPT0.
0 seconds



BT_LPT200.
200 seconds



BT_LPT400.
* 400 seconds



BT_LPT900.
900 seconds



BT_LPT3600.
3600 seconds

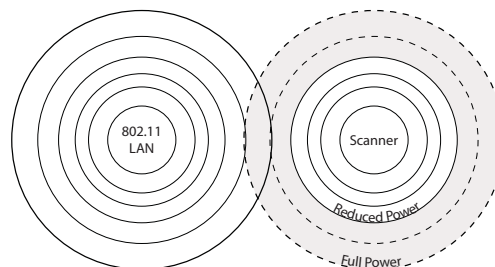


BT_LPT7200.
7200 seconds

Note: When the scanner is in power down mode, pull the trigger to power the unit back up. There will be a set of power up beeps and a delay of up to a few seconds for the radio to join. The scanner will then be ready to use.

Flexible Power Management

If you are experiencing network performance issues, and suspect the scanner is interfering with other devices, you can turn down the power output of the scanner. This reduces the range between the scanner and a base as shown in the following illustration:



Scan one of the bar codes below to set the scanner's power output to **Full Power** (100%), **Medium High Power** (88%), **Medium Power** (50%), or **Low Power** (1%).
Default = High Power.



Batch Mode

Batch mode is used to store bar code data when a scanner is out of range of its base, or when performing inventory. The data is transmitted to the base once the scanner is back in range or when the records are manually transmitted.

Automatic Batch Mode stores bar code data when the scanner is out of range of the base. The data is automatically transmitted to the base once the scanner is back in range. When the scanner's buffer space is full, any bar codes scanned generate an error tone. In order to scan bar codes again, the scanner must be moved back into range of the base so data can be transmitted.

Inventory Batch Mode stores bar code data, whether or not you are in range of the base. To transmit the stored data to the base, either place the scanner in the base, or scan [Transmit Inventory Records](#) (page 103). When the scanner's buffer space is full, any bar codes scanned generate an error tone. In order to scan bar codes again, the data must be transmitted to the base. Once the data is transmitted, it is cleared in the scanner.

Persistent Batch Mode is the same as Inventory Batch Mode, except that once the data is transmitted to the base, it is retained in the scanner. If you want to transmit more than once, you can do so using this mode. In order to clear the scanner's buffer, you must scan [Clear All Codes](#) (see page 103).

Default = Batch Mode Off.





Batch Mode Beep

When scanning in [Inventory Batch Mode](#) (page 99), the scanner beeps every time a bar code is scanned. When Batch Mode Beep is **On**, you will also hear a click when each bar code is sent to the host. If you do not want to hear these clicks, scan **Batch Mode Beep Off**. *Default = Batch Mode Beep On.*



Batch Mode Storage

When a scanner is storing data during a Batch Mode process, you can select whether the data is stored in Flash memory or in RAM.

Flash Storage: The scanner writes any untransmitted data to flash memory prior to powering down. The data will still be there when the scanner powers back up. However, the scanner will power down, even with untransmitted data, if it reaches a power down timeout or if the instant charge pack power is very low.

RAM Storage: The scanner will not power down while it contains data that has not been transmitted to the base, even if it reaches a power down timeout. However, if the scanner charge pack runs out of power, it will power down and the data will be lost.

Default = Flash Storage.





Batch Mode Quantity

When in Batch Mode, you may wish to transmit the number of multiple bar codes scanned, rather than a single bar code multiple times. For example, if you scan three bar codes called XYZ with **Batch Mode Quantity Off**, when you transmit your data it will appear as XYZ three times. Using **Batch Mode Quantity On** and the Quantity Codes ([page 101](#)), you could output your data as “XYZ, 00003” instead.

Note: *If you wish to format your output, for example, place a CR or tab between the bar code data and the quantity, refer to [Data Format](#) beginning on page 157.*

Default = Batch Mode Quantity Off.



Enter Quantities

Quantity Codes ([page 101](#)) allow you to enter a quantity for the last item scanned, up to 9999 (default = 1). Quantity digits are shifted from right to left, so if a 5th digit is scanned, the 1st digit scanned is discarded and the 2nd, 3rd and 4th digits are moved to the left to accommodate the new digit.

For example, if the Quantity 5 bar code is scanned after the quantity has been set to 1234, then the 1 is dropped, the quantity will be 2345.

Example: Add a quantity of 5 for the last item scanned.

1. Scan the item's bar code.
2. Scan the quantity 5 bar code.

Example: Add a quantity of 1,500 for the last item scanned.

1. Scan the item's bar code.
2. Scan the quantity 1 bar code.
3. Scan the quantity 5 bar code.
4. Scan the quantity 0 bar code.

5. Scan the quantity 0 bar code.

Example: Change a quantity of 103 to 10.

To correct an incorrect quantity, scan the quantity 0 bar code to replace the incorrect digits, then scan the correct quantity bar codes.

1. Scan the quantity 0 bar code to change the quantity to 1030.
2. Scan the quantity 0 bar code to change the quantity to 0300.
3. Scan the quantity 1 bar code to change the quantity to 3001.
4. Scan the quantity 0 bar code to change the quantity to 0010.

Default = 1.

Quantity Codes



BATNUM0.

0



BATNUM1.

*1



BATNUM2.

2



BATNUM3.

3



BATNUM4.

4



BATNUM5.

5



BATNUM6.

6



BATNUM7.

7

Quantity Codes (Continued)



BATNUM8.

8



BATNUM9.

9

Batch Mode Output Order

When batch data is transmitted, select whether you want that data sent as **FIFO** (first-in first-out), or **LIFO** (last-in first-out). *Default = Batch Mode FIFO.*



BATLIFO.

* Batch Mode FIFO



BATLIF1.

Batch Mode LIFO

Total Records

If you wish to output the total number of bar codes scanned when in Batch Mode, scan **Total Records**.



BATNRC.

Total Records

Delete Last Code

If you want to delete the last bar code scanned when in Batch Mode, scan **Delete Last Code**.



BATUND.

Delete Last Code

Clear All Codes

If you want to clear the scanner's buffer of all data accumulated in Batch Mode, scan **Clear All Codes**.



Transmit Records to Host

If you are operating in Inventory Batch Mode (see [Inventory Batch Mode](#) on page 99), you must scan the following bar code to transmit all the stored data to the host system.



Batch Mode Transmit Delay

Sometimes when accumulated scans are sent to the host system, the transmission of those scans is too fast for the application to process. To program a transmit delay between accumulated scans, scan one of the following delays. *Default = Off.*

Note: *In most cases, a short (250 ms (milliseconds)) delay is ideal, however, longer delays may be programmed. Contact Technical Support ([page xvii](#)) for additional information.*



Scanner Name

You may assign a name to each scanner you are using for identification purposes. The default name is in the format “ScannerName_Model_SN_XXXXXXXXXX” Perform the rename operation using either the bar codes on [page 105](#), or by sending the serial command **:ScannerName:BT_NAMNewName.** where *ScannerName* is the current name of the scanner, and *NewName* is the new name for the scanner.

To rename scanners with sequential, numeric names, scan the bar codes below. Scan the **Reset** code after each name change and wait for the scanner to relink to the base before scanning a bar code to rename the next scanner.



BT_NAM0001.
0001



BT_NAM0002.
0002



BT_NAM0003.
0003



BT_NAM0004.
0004



BT_NAM0005.
0005



BT_NAM0006.
0006



BT_NAM0007.
0007



RESET_
Reset

You may also scan the **Scanner Name** bar code below and scan a number for the scanner name. For example, if you wanted to name the linked scanner “312,” you would scan the bar code below, scan the 3, 1, and 2 bar codes on the [Programming Chart](#), beginning on page 341, then **Save**. Scan the **Reset** bar code and wait for the scanner to relink to the base.



BT_NAM.
Scanner Name

Change the Scanner’s Bluetooth PIN Code

Some devices require a PIN code as part of the Bluetooth security features. Your scanner’s default PIN is 1234, which you may need to enter the first time you connect to your PC. The PIN code must be between 1 and 16 characters. To change the PIN, scan the bar code below and then scan the appropriate numeric bar codes from the [Programming Chart](#), beginning on page 341, then **Save**.



BT_PIN.
Bluetooth PIN

Minimize Bluetooth/ISM Band Network Activity

The settings described below can help you customize the relinking behavior of the cordless area-imaging system to obtain the best compromise between convenience and low interference.

Note: *ISM band refers to the 2.4 to 2.48 GHz frequency band used by wireless networks, cordless phones, and Bluetooth.*

Auto Reconnect Mode

Auto Reconnect controls whether or not the scanner automatically begins the relink process when a loss of connection is detected. When the **Auto Reconnect On** bar code is scanned, the scanner begins the relink process immediately, without user intervention. *Default = Auto Reconnect On.*



BT_ACM1.
*** Auto Reconnect On**



BT_ACM0.
Auto Reconnect Off

The table below shows the results of the Auto Reconnect On and Off settings:

Event	Auto Reconnect On	Auto Reconnect Off
Scanner out of range	Relink occurs automatically. If maximum number of link attempts is unsuccessful, then the scanner must be relinked by either pulling the trigger or placing the scanner in the base. (See Maximum Link Attempts on page 106.)	The scanner is relinked by pulling the trigger.
Base reset (firmware upgrade or power cycle)	Scanner behaves as if out of range.	No attempt to relink made while base is powered off. Trigger must be pulled to initiate relinking.
Scanner power down due to Power Time-Out Timer setting	Trigger must be pulled or the scanner must be placed in the base unit to relink. (Note: scanner relinks on power up, but powers on due to one of the above actions.)	
Scanner reset due to firmware upgrade	Relink occurs automatically.	
Scanner reset due to instant charge pack change	Relink occurs automatically.	
Scanner placed in different base unit	Relink to new base occurs automatically.	

Maximum Link Attempts

The Maximum Link Attempts setting controls the number of times the scanner tries to form a connection with a base. During the connection setup process, the scanner transmits in order to search for and connect to a base. In order to prevent continuous transmissions that could interfere with other users of the ISM band, the number of attempts to connect is limited by this setting. After the maximum number of attempts is reached, the scanner will not attempt to reconnect to a base. Pressing the trigger or placing the scanner in the base resets the counter and the scanner will again try to link.

Scan the **Maximum Link Attempts** bar code, then scan the number of attempts for the setting (from 0-100) from the [Programming Chart](#), beginning on page 341, then **Save**. *Default = 4.*



Note: *When Auto Reconnect Mode is On, setting Maximum Link Attempts to zero will cause the scanner to try to link until the Power Time-Out Timer setting expires. When Auto Reconnect Mode is Off, setting Maximum Link Attempts to zero will cause the scanner to only attempt linking one time after a trigger pull.*

Relink Time-Out

Relink Time-Out controls the idle time between relink attempts. An attempt to link a scanner to a base typically lasts up to 5 seconds. This is the time when the scanner is actually attempting a contact. Relink Time-Out controls the amount of time, in seconds, that elapses between the end of one connection attempt and the start of the next.

Scan the **Relink Time-Out** bar code, then scan the number of seconds for the setting (from 1-100) from the [Programming Chart](#), beginning on page 341, then **Save**. *Default = 2 seconds.*



BT_RLT.
Relink Time-Out

Bluetooth/ISM Network Activity Examples

Default values

When the scanner goes out of range, the scanner repeatedly attempts to connect to the base. Each attempt consists of approximately 5 seconds of active time followed by 3 seconds of idle time. After one hour, the scanner powers off and batch mode data is lost.

Example: Maximum Link Attempts set to 15
Other values at default setting

When the scanner goes out of range, 15 attempts are made to link to the base. Each attempt consists of approximately 5 seconds of active time followed by 3 seconds of idle time. After 15 cycles ($8 \times 15 = 120$), or about 2 minutes, the scanner stops trying to connect to the base, but retains any bar codes that may have been saved in batch mode. After one hour, the scanner powers off and batch mode data is lost.

Example: Auto Reconnect Mode set to 0
Maximum Link Attempts set to 15
Other values at default setting

When the scanner goes out of range, no action is taken to relink. When the trigger is pulled, 15 attempts are made to link to the base. Each attempt consists of approximately 5 seconds of active time followed by 3 seconds of idle time. After 15 cycles ($8 \times 15 = 120$), or about 2 minutes, the scanner stops trying to connect to the

base, but retains any bar codes that may have been saved in batch mode. After one hour, the scanner powers off and batch mode data is lost. Refer to [Auto Reconnect Mode](#), page 105, to review other events that can start the relink process.

Example: Auto Reconnect Mode set to 1
Maximum Link Attempts set to 0
Relink Time-Out set to 10
Scanner Power Time-Out Timer set to 1800

Note: See [Scanner Power Time-Out Timer](#) on page 96.

The scanner attempts to connect to the base every 15 seconds, measured from one attempt start to the next attempt start. After one half hour, the scanner powers off.

Host Acknowledgment

Some applications require that the host terminal (or server) validate incoming bar code data (database look-up) and provide acknowledgment to the scanner whether or not to proceed. In Host ACK Mode, the scanner waits for this acknowledgment after each scan. Visual and audible acknowledgments provide valuable feedback to the scan operator. The Host ACK functionality is controlled via a number of pre-defined escape commands that are sent to the scanner to make it behave in different ways.

Note: *System performance degrades when using Host ACK at rates lower than 9600 baud.*

The following criteria must be met for the Host ACK to work correctly:

- The cordless system must be configured for Host Port RS232 (terminal ID = 000) or USB COM Emulation (terminal ID = 130).
- RTS/CTS is defaulted off. You must enable it if the host system requires it.
- Host ACK must be set to **On** ([page 109](#)).
- A comma must be used as a terminator.
- The host terminal software must be capable of interpreting the bar code data, make decisions based on the data content, and send out appropriate escape commands to the scanner.

The commands to which the scanner responds are listed on [page 110](#). The **[ESC]** is a **1B** in hex. A typical command string is **[ESC] x, [ESC] x** is the escape command, and the comma is the terminator, which is required.

Example: Commands may be strung together to create custom response sequences. An example of a command string is listed below.

[ESC]4,[ESC]5,[ESC]6,

The above example will make a scanner beep low, then medium, then high.

Example: A good read beep is required for any item on file, but a razz or error tone is required if the item is not on file. In this case,

[ESC]7, is sent from the host to the scanner for an on-file product

[ESC]8,[ESC]8, is sent from the host to the scanner for a not-on-file product

When a bar code is scanned, the scanner enters a timeout period until either the host ACK sequence is received, or the timeout expires (in 10 seconds, by default).

Once Host ACK is enabled, the system works as follows when a bar code is scanned:

- The scanner reads the code and sends data to the base to transmit to the host system. No audible or visual indication is emitted until the scanner receives an escape command. The scanner read illumination goes out when there's a successful read.
- Scanner operation is suspended until 1) a valid escape string is received from the host system or 2) the scanner times out.
- Once condition 1 or 2 above has been met, the scanner is ready to scan again, and the process repeats.

A time-out occurs if the scanner does not receive a valid escape command within 10 seconds. A time-out is indicated by an error tone. If a time-out occurs, the operator should check the host system to understand why a response to the scanner was not received.

Host ACK On/Off



HSTACK1.
Host ACK On



HSTACK0.
* Host ACK Off

Host ACK Timeout

You can set a timeout for the length of time the scanner waits for a valid escape command when using Host Acknowledgment Mode. Set the length (in seconds) for a timeout by scanning the following bar code, then setting the timeout (from 1-90 seconds) by scanning digits from the [Programming Chart](#), beginning on page 341, then **Save**. *Default = 10.*



HSTATO.
Host ACK Timeout

Host ACK Responses

Command	Action
[ESC] a,	Double beeps to indicate a successful menu change was made.
[ESC] b,	Razz or error tone to indicate a menu change was unsuccessful.
[ESC] 1,	The green LED illuminates for 135 milliseconds followed by a pause.
[ESC] 2,	The green LED illuminates for 2 seconds followed by a pause.
[ESC] 3,	The green LED illuminates for 5 seconds followed by a pause.
[ESC] 4,	Emits a beep at a low pitch.
[ESC] 5,	Emits a beep at a medium pitch.
[ESC] 6,	Emits a beep at a high pitch.
[ESC] 7,	Beeps to indicate a successful decode and communication to host.
[ESC] 8,[ESC] 8,	Razz or error tone to indicate a decode/communication to host was unsuccessful.

Power Up Beeper

Note: This feature does not apply to the CCB02-100BT/CCB05-100BT base.

The scanner can be programmed to beep when it's powered up. If you are using a cordless system, the base can also be programmed to beep when it is powered up. Scan the **Off** bar code(s) if you don't want a power up beep. *Default = Power Up Beeper On - Scanner.*



BEPPWR0.

**Power Up Beeper Off -
Scanner**



BEPPWR1.

*** Power Up Beeper On -
Scanner**



BASPWR0.

**Power Up Beeper Off -
Cordless Base**



BASPWR1.

**Power Up Beeper On -
Cordless Base**

Beep on BEL Character

You may wish to force the scanner to beep upon a command sent from the host. If you scan the **Beep on BEL On** bar code below, the scanner will beep every time a BEL character is received from the host. *Default = Beep on BEL Off.*



Trigger Click

To hear an audible click every time the scanner trigger is pressed, scan the **Trigger Click On** bar code below. Scan the **Trigger Click Off** code if you don't wish to hear the click. (This feature has no effect on serial or automatic triggering.) *Default = Trigger Click Off.*



Good Read and Error Indicators

Beeper – Good Read

The beeper may be programmed **On** or **Off** in response to a good read. Turning this option off only turns off the beeper response to a good read indication. All error and menu beeps are still audible. *Default = Beeper - Good Read On.*



Beeper Volume – Good Read

The beeper volume codes modify the volume of the beep the scanner emits on a good read. *Default = High for Granit/Xenon, Low for Xenon HC.*



BEPLVL1.
* Low



BEPLVL2.
Medium



BEPLVL3.
* High



BEPLVL0.
Off

Beeper Pitch – Good Read

The beeper pitch codes modify the pitch (frequency) of the beep the scanner emits on a good read. The **Medium** pitch differs for the Xenon and Granit scanners. *Default = Medium.*



BEPFQ11600.
Low (1600 Hz)



BEPFQ12700.
* Medium - Xenon
(2700 Hz)



BEPFQ13200.
* Medium - Granit
(3200 Hz)



BEPFQ14200.
High (4200 Hz)

Vibrate – Good Read

Note: *Vibration settings apply only to Granit Devices.*

The scanner vibrates once when a bar code is successfully read, and twice when a programming bar code is successfully read. When a programming bar code is unsuccessful, the scanner emits one long vibration (2 times the Vibrate Duration length). Scan **Vibrate - Good Read Off** to keep the scanner from vibrating. *Default = Vibrate - Good Read On.*



Vibrate Duration

If you want to set the length for the good read vibration, scan the bar code below, then set the duration (from 100 - 2,000 milliseconds) by scanning digits from the [Programming Chart](#), beginning on page 341, then **Save**. *Default = 300 ms.*



Beeper Pitch – Error

The beeper pitch codes modify the pitch (frequency) of the sound the scanner emits when there is a bad read or error. *Default = Razz.*



Beeper Duration – Good Read

The beeper duration codes modify the length of the beep the scanner emits on a good read. *Default = Normal.*



BEPBIP0.
* Normal Beep



BEPBIP1.
Short Beep

LED – Good Read

The LED indicator can be programmed **On** or **Off** in response to a good read. *Default = On.*



BEPLED1.
* LED - Good Read On



BEPLED0.
LED - Good Read Off

Number of Beeps – Good Read

The number of beeps of a good read can be programmed from 1 - 9. The same number of beeps will be applied to the beeper and LED in response to a good read. For example, if you program this option to have five beeps, there will be five beeps and five LED flashes in response to a good read. The beeps and LED flashes are in sync with one another. To change the number of beeps, scan the bar code below and then scan a digit (1-9) bar code from the [Programming Chart](#), beginning on page 341, then **Save**. *Default = 1.*



BEPRPT.
Number of Good Read Beeps/LED Flashes

Number of Beeps – Error

The number of beeps and LED flashes emitted by the scanner for a bad read or error can be programmed from 1 - 9. For example, if you program this option to have five error beeps, there will be five error beeps and five LED flashes in response

to an error. To change the number of error beeps, scan the bar code below and then scan a digit (1-9) bar code from the [Programming Chart](#), beginning on page 341, then **Save**. *Default = 1.*



Beeper Volume Max

Note: *The Beeper Volume Max feature only applies to Granit products.*

Scan the following bar code to set all error and good read beeps to the maximum volume. This feature also sets the [Beeper Pitch – Good Read](#) to the highest level.



Good Read Delay

This sets the minimum amount of time before the scanner can read another bar code. *Default = 0 ms (No Delay).*



User-Specified Good Read Delay

If you want to set your own length for the good read delay, scan the bar code below, then set the delay (from 0 - 30,000 milliseconds) by scanning digits from the [Programming Chart](#), beginning on page 341, then **Save**.



Trigger Modes

Manual Trigger

When in manual trigger mode, the scanner scans until a bar code is read, or until the trigger is released. Two modes are available, **Normal** and **Enhanced**. Normal mode offers good scan speed and the longest working ranges (depth of field). Enhanced mode will give you the highest possible scan speed but slightly less range than Normal mode. Enhanced mode is best used when you require a very fast scan speed and don't require a long working range. *Default = Manual Trigger-Normal.*

Note: *Granit 1980i and 1981i do not support Enhanced Manual Trigger Mode.*



Trigger Toggle

Note: *Only the Xenon 1900 and 1902 support Trigger Toggle mode.*

Trigger Toggle mode lets you quickly hit the trigger 2 or 3 times to put the scanner into either imaging mode, cell phone read mode, or centering mode, then toggle back to scanning. So, like a double-click with a mouse, you can control what the next scanner's action will be. For example, you could double-press the trigger to go into imaging mode, then the next trigger press takes the image. The scanner then reverts to scanning mode. Or you could triple-press the trigger to go into cell phone read mode, the customer presents the phone and it's read, then the scanner reverts to scanning mode. Use the following codes to configure what action you would like the scanner to take when in Trigger Toggle mode.



TRGTGM0.
*Trigger Toggle Off



TRGTGM1.
Trigger Toggle - Image Capture



TRGTGM2.
Trigger Toggle - Cell Phone Read



TRGTGM3.
Trigger Toggle - Centering

Trigger Number

This sets the number of trigger presses required to activate the Trigger Toggle Mode.



TRGTPC2.
2 Quick Triggers



TRGTPC3.
3 Quick Triggers



TRGTPC4.
4 Quick Triggers

Trigger Timing

This sets the timing of the trigger presses in order to qualify as a trigger toggle, rather than a regular trigger press. After scanning the **Trigger Timing** bar code, set the time-out duration (from 50-2,000 milliseconds) by scanning digits from the [Programming Chart](#), beginning on page 341, then **Save**. *Default = 400ms.*



TRGTT.
Trigger Timing

Trigger Toggle Timeout

This sets the length of time the scanner stays in trigger toggle mode before reverting to scan mode. After scanning the **Trigger Toggle Timeout** bar code, set the time-out duration (from 0 to 65 seconds) by scanning digits from the [Programming Chart](#), beginning on page 341, then **Save**. *Default = 5 seconds.*

Note: *If this is set to 0, you must repeat the toggle sequence to return to the default scanning mode. For example, if 2 quick trigger presses puts the scanner into cell phone read mode and the Trigger Timing is 0, you would have to do 2 quick presses again to get back to the default scanning mode.*



Serial Trigger

You can activate the scanner either by pressing the trigger, or using a serial trigger command (see [Trigger Commands](#) on page 262). You must be in a serial interface mode in order to use serial triggering. Refer to [RS232 Serial Port](#) (page 16) or [USB Serial](#) (page 19) for further information. When in serial mode, the scanner scans until a bar code has been read or until the deactivate command is sent. The scanner can also be set to turn itself off after a specified time has elapsed (see [Read Time-Out](#), which follows).

Read Time-Out

Use this selection to set a time-out (in milliseconds) of the scanner's trigger when using serial commands to trigger the scanner. Once the scanner has timed out, you can activate the scanner either by pressing the trigger or using a serial trigger command. After scanning the **Read Time-Out** bar code, set the time-out duration (from 0-300,000 milliseconds) by scanning digits from the [Programming Chart](#), beginning on page 341, then **Save**. *Default = 30,000 ms.*



Presentation Mode

Presentation Mode uses ambient light and scanner illumination to detect bar codes. When in Presentation Mode, the LEDs remain dim until a bar code is presented to the scanner, then the aimer turns on and the LEDs turn up to read the code. If the light level in the room is not high enough, Presentation Mode may not work properly

Note: *If you are using a cordless charge base in Presentation Mode, the battery will not charge unless the power supply is plugged into the base's auxiliary power port.*

Scan the following bar code to program your scanner for Presentation Mode.



Presentation LED Behavior after Decode

When a scanner is in presentation mode, the LED aimer dims 30 seconds after a bar code is decoded. If you wish to dim the LED aimer immediately after a bar code is decoded, scan the **LEDs Off** bar code, below. *Default = LEDs On.*



Presentation Sensitivity

Presentation Sensitivity is a numeric range that increases or decreases the scanner's reaction time to bar code presentation. To set the sensitivity, scan the Sensitivity bar code, then scan the degree of sensitivity (from 0-20) from the [Programming Chart](#), beginning on page 341, then **Save**. 0 is the most sensitive setting, and 20 is the least sensitive. *Default = 1.*

Note: *Granit 1980i and 1981i do not support this setting.*



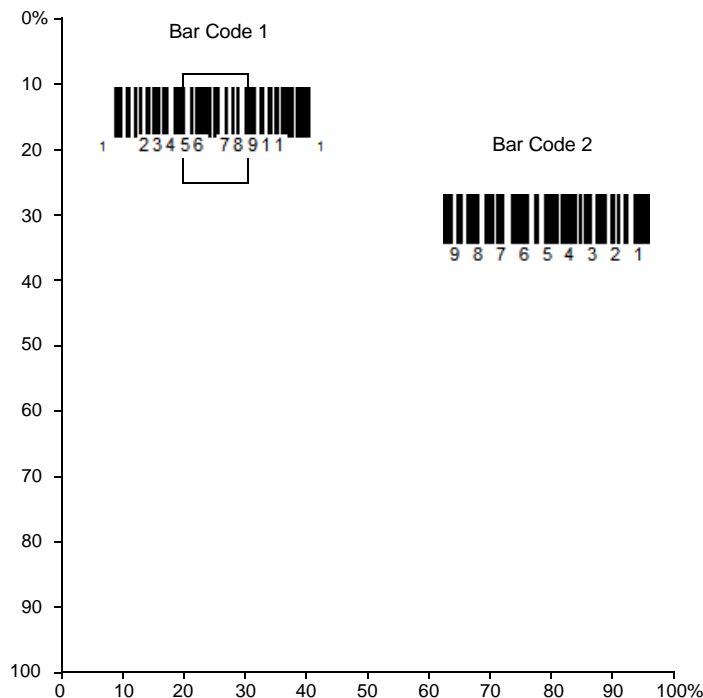
Presentation Centering

Use Presentation Centering to narrow the scanner's field of view when it is in the stand to make sure the scanner reads only those bar codes intended by the user. For instance, if multiple codes are placed closely together, Presentation Centering will insure that only the desired codes are read.

Note: To adjust centering when the scanner is hand-held, see [Centering](#) (page 5-131).

If a bar code is not touched by a predefined window, it will not be decoded or output by the scanner. If Presentation Centering is turned on by scanning **Presentation Centering On**, the scanner only reads codes that pass through the centering window you specify using the **Top of Presentation Centering Window, Bottom of Presentation Centering Window, Left, and Right of Presentation Centering Window** bar codes.

In the example below, the white box is the centering window. The centering window has been set to 20% left, 30% right, 8% top, and 25% bottom. Since Bar Code 1 passes through the centering window, it will be read. Bar Code 2 does not pass through the centering window, so it will not be read.



Note: A bar code needs only to be touched by the centering window in order to be read. It does not need to pass completely through the centering window.

Scan **Presentation Centering On**, then scan one of the following bar codes to change the top, bottom, left, or right of the centering window. Then scan the percent you want to shift the centering window from the [Programming Chart](#), beginning on page 341, then **Save**. *Default Presentation Centering = 40% for Top and Left, 60% for Bottom and Right.*



PDCWIN1.
Presentation Centering On



PDCWIND.
*** Presentation Centering Off**



PDCTOP.
**Top of Presentation
Centering Window**



PDCBOT.
**Bottom of Presentation
Centering Window**



PDCLFT.
**Left of
Presentation Centering
Window**



PDCRGT.
**Right of Presentation
Centering Window**

In-Stand Sensor Mode

Note: *The In-Stand Sensor feature only applies to Xenon 1900, 1900h, 1910, 1902, 1902h, and 1912 products. It does not apply to the Xenon 1902g-BF or Granit products.*

This feature senses when the scanner is removed from the stand and tells it to begin manual triggering. When **Sensor On** is enabled, the scanner defaults to Streaming Presentation Mode when it is in the stand, and to Manual Trigger Mode when it is removed from the stand. *Default = Sensor On.*



TRGSSW1.
* **Sensor On**



TRGSSW0.
Sensor Off

Note: If you are taking images (see [Imaging Commands](#) beginning on page 233), you must set the In-Stand Sensor to **Off**.

You may program a Streaming Presentation Mode (Normal, Enhanced, or Mobile Phone) you wish to use for in-stand scanning, and a Manual Trigger mode (Normal, Enhanced, or Mobile Phone) you wish to use for out-of-stand scanning. To do this, you must first scan the preferred Streaming Presentation mode (see below), then scan the Manual Trigger mode (see [page 117](#) and [page 125](#)) you want to use.

Poor Quality Codes

Poor Quality 1D Codes

This setting improves the scanner's ability to read damaged or badly printed linear bar codes. When **Poor Quality 1D Reading On** is scanned, poor quality linear bar code reading is improved, but the scanner's snappiness is decreased, making it less aggressive when reading good quality bar codes. This setting does not affect 2D bar code reading. *Default = Poor Quality 1D Reading Off.*



DECLD11.

Poor Quality 1D Reading On



DECLD10.

* **Poor Quality 1D Reading Off**

Poor Quality PDF Codes

This setting improves the scanner's ability to read damaged or badly printed PDF codes by combining information from multiple images. When **Poor Quality PDF On** is scanned, poor quality PDF code reading is improved, but the scanner's snap-

pinness is decreased, making it less aggressive when reading good quality bar codes. This setting does not affect 1D bar code reading. *Default = Poor Quality PDF Reading Off.*



PDFXPR1.

Poor Quality PDF Reading On



PDFXPR0.

*** Poor Quality PDF Reading Off**

CodeGate[®]

When CodeGate is **On**, the trigger is used to allow decoded data to be transmitted to the host system. The scanner remains on, scanning and decoding bar codes, but the bar code data is not transmitted until the trigger is pressed. When CodeGate is **Off**, bar code data is transmitted when it is decoded. *Default = CodeGate Off Out-of-Stand.*



AOSCGD0.

*** CodeGate Off Out-of-Stand**



AOSCGD1.

CodeGate On Out-of-Stand

Streaming Presentation™ Mode

When in Streaming Presentation mode, the scanner's aimer goes out after a short time, but the scan illumination remains on all the time to continuously search for bar codes. Two modes are available, **Normal** and **Enhanced**. Normal mode offers good scan speed and the longest working ranges (depth of field). Enhanced mode will give you the highest possible scan speed but slightly less range than Normal mode. Enhanced mode is best used when you require a very fast scan speed and don't require a long working range.

Note: *Granit 1980i and 1981i do not support Enhanced Streaming Presentation Mode.*



PAPSPN.
**Streaming Presentation
 Mode - Normal**



PAPSPE.
**Streaming Presentation
 Mode - Enhanced**

When using [Preferred Symbology](#) (page 5-134), a lower priority symbol must be centered on the aiming pattern to be read in Streaming Presentation Mode.

Note: *If you are using a cordless charge base, it must have an external power supply plugged into the aux port for Streaming Presentation to work properly.*

Streaming Presentation In-Stand

This option is available when using [In-Stand Sensor Mode](#), page 122. You may program a specific Streaming Presentation Mode for in-stand scanning, and a Manual Trigger mode for out-of-stand scanning. To do this, you must first scan the preferred Streaming Presentation mode (Normal, Enhanced, or Mobile Phone), then scan the Manual Trigger mode (Normal, Enhanced, or Mobile Phone) you want to use.

Mobile Phone Read Mode

When this mode is selected, your scanner is optimized to read bar codes from mobile phone or other LED displays. However, the speed of scanning printed bar codes may be slightly lower when this mode is enabled. You can enable Mobile Phone Reading for either a hand held device, or for a hands-free (presentation) application.

Note: *Granit 1980i and 1981i do not support these settings.*



PAPHHC.
**Hand Held Scanning - Mobile
 Phone**



PAPSPC.
**Streaming Presentation -
 Mobile Phone**

Note: *To turn off Mobil Phone Read Mode, scan a Manual or Serial Trigger Mode bar code (see page [117](#)).*

Hands Free Time-Out

The Scan Stand and Presentation Modes are referred to as “hands free” modes. If the scanner’s trigger is pulled when using a hands free mode, the scanner changes to manual trigger mode. You can set the time the scanner should remain in manual trigger mode by setting the Hands Free Time-Out. Once the time-out value is reached, (if there have been no further trigger pulls) the scanner reverts to the original hands free mode.

Scan the **Hands Free Time-Out** bar code, then scan the time-out duration (from 0-300,000 milliseconds) from the [Programming Chart](#), beginning on page 341, then **Save**. *Default = 5,000 ms.*



Reread Delay

This sets the time period before the scanner can read the *same* bar code a second time. Setting a reread delay protects against accidental rereads of the same bar code. Longer delays are effective in minimizing accidental rereads. Use shorter delays in applications where repetitive bar code scanning is required. Reread Delay only works when in a [Presentation Mode](#) (see page 120). *Default = Medium.*



User-Specified Reread Delay

If you want to set your own length for the reread delay, scan the bar code below, then set the delay (from 0-30,000 milliseconds) by scanning digits from the [Programming Chart](#), beginning on page 341, then **Save**.



DLYRRD.

User-Specified Reread Delay

2D Reread Delay

Sometimes 2D bar codes can take longer to read than other bar codes. If you wish to set a separate Reread Delay for 2D bar codes, scan one of the programming codes that follows. **2D Reread Delay Off** indicates that the time set for [Reread Delay](#) is used for both 1D and 2D bar codes. *Default = 2D Reread Delay Off.*



DLY2RR0.

*** 2D Reread Delay Off**



DLY2RR1000.

Short (1000ms)



DLY2RR2000.

Medium (2000ms)



DLY2RR3000.

Long (3000ms)



DLY2RR4000.

Extra Long (4000ms)

Character Activation

You may use a character sent from the host to trigger the scanner to begin scanning. When the activation character is received, the scanner continues scanning until either the [Character Activation Timeout](#) (page 5-129), the deactivation character is received (see [Deactivation Character](#) on page 129), or a bar code is trans-

mitted. Scan the following **On** bar code to use character activation, then use [Activation Character](#) (page 128) to select the character you will send from the host to start scanning. *Default = Off.*



Activation Character

This sets the character used to trigger scanning when using Character Activation Mode. On the [ASCII Conversion Chart \(Code Page 1252\)](#), page 330, find the hex value that represents the character you want to use to trigger scanning. Scan the following bar code, then use the [Programming Chart](#) to read the alphanumeric combination that represents that ASCII character. Scan **Save** to finish. *Default = 12 [DC2].*



End Character Activation After Good Read

After a bar code is successfully detected and read from the scanner, the illumination can be programmed either to remain on and scanning, or to turn off. When **End Character Activation After Good Read** is enabled, the illumination turns off and stops scanning after a good read. If you scan **Do Not End Character Activation After Good Read**, the illumination remains on after a good read.



Character Activation Timeout

You can set a timeout for the length of time the illumination remains on and attempting to decode bar codes when using Character Activation Mode. Set the length (in milliseconds) for a timeout by scanning the following bar code, then setting the timeout (from 1-300,000 milliseconds) by scanning digits from the [Programming Chart](#), beginning on page 341, then **Save**. *Default = 30,000 ms.*



HSTCDT.

Character Activation Timeout

Character Deactivation

If you have sent a character from the host to trigger the scanner to begin scanning, you can also send a deactivation character to stop scanning. Scan the following **On** bar code to use character deactivation, then use **Deactivation Character** (following) to select the character you will send from the host to terminate scanning. *Default = Off.*



HSTDENO.

*** Off**



HSTDEN1.

On

Deactivation Character

This sets the character used to terminate scanning when using Character Deactivation Mode. On the [ASCII Conversion Chart \(Code Page 1252\)](#), page 330, find the hex value that represents the character you want to use to terminate scanning. Scan the following bar code, then use the [Programming Chart](#), beginning on page 341 to read the alphanumeric combination that represents that ASCII character. Scan **Save** to finish. *Default = 14 [DC4].*



HSTDCH.

Deactivation Character

Illumination Lights

If you want the illumination lights on while reading a bar code, scan the **Lights On** bar code, below. However, if you want to turn just the lights off, scan the **Lights Off** bar code. *Default = Lights On.*

Note: *This setting does not affect the aimer light. The aiming light can be set using [Aimer Mode](#) (page 131).*



SCNLED1.
* Lights On



SCNLEDO.
Lights Off

Aimer Delay

The aimer delay allows a delay time for the operator to aim the scanner before the picture is taken. Use these codes to set the time between when the trigger is pulled and when the picture is taken. During the delay time, the aiming light will appear, but the LEDs won't turn on until the delay time is over. *Default = Off.*



SCNDLY1.
1 millisecond



SCNDLY250.
250 milliseconds



SCNDLY500.
500 milliseconds



SCNDLY0.
* Off (no)

User-Specified Aimer Delay

If you want to set your own length for the duration of the delay, scan the bar code below, then set the time-out by scanning digits (0 - 4,000 ms) from the [Programming Chart](#), beginning on page 341, then **Save**.



SCNDLY.
Delay Duration

Aimer Mode

This feature allows you to turn the aimer on and off. When the **Interlaced** bar code is scanned, the aimer is interlaced with the illumination LEDs. *Default = Interlaced*

Note: *Granit 1980i and 1981i do not support Aimer Mode.*



SCNAIM0.
Off



SCNAIM2.
*** Interlaced**

Centering

Use Centering to narrow the scanner's field of view to make sure that when the scanner is hand-held, it reads only those bar codes intended by the user. For instance, if multiple codes are placed closely together, centering will insure that only the desired codes are read. (Centering can be used in conjunction with [Aimer Delay](#), page 130, for the most error-free operation in applications where multiple codes are spaced closely together. Using the Aimer Delay and Centering features, the scanner can emulate the operation of older systems, such as linear laser bar code scanners.)

Note: *To adjust centering when the scanner is in the stand, see [Presentation Centering](#) (page 5-121).*

Single Code Centering

Scan **Single Code Centering** to target the bar code closest to the center of the image. Singling out a bar code in this manner increases scanning accuracy when there are multiple bar codes close together.



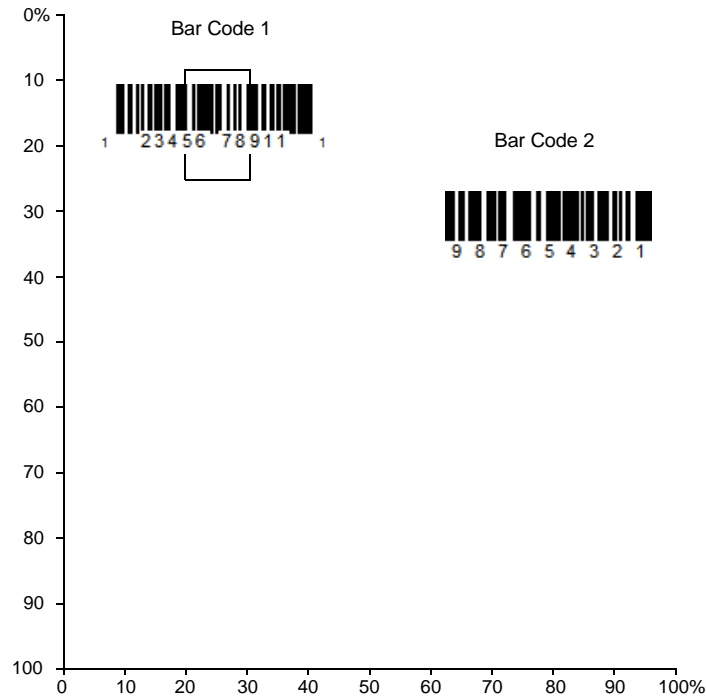
Single Code Centering

Custom Centering

Use the following settings to customize your centering window. If a bar code is not touched by a predefined window, it will not be decoded or output by the scanner. If centering is turned on by scanning **Centering On**, the scanner only reads codes

that pass through the centering window you specify using the **Top of Centering Window**, **Bottom of Centering Window**, **Left**, and **Right of Centering Window** bar codes.

Example: In the example below, the white box is the centering window. The centering window has been set to 20% left, 30% right, 8% top, and 25% bottom. Since Bar Code 1 passes through the centering window, it will be read. Bar Code 2 does not pass through the centering window, so it will not be read.



Note: A bar code needs only to be touched by the centering window in order to be read. It does not need to pass completely through the centering window.

Scan **Centering On**, then scan one of the following bar codes to change the top, bottom, left, or right of the centering window. Then scan the percent you want to shift the centering window using digits from the [Programming Chart](#), beginning on page 341, then **Save**. *Default Centering = 40% for Top and Left, 60% for Bottom and Right.*





Preferred Symbology

The scanner can be programmed to specify one symbology as a higher priority over other symbologies in situations where both bar code symbologies appear on the same label, but the lower priority symbology cannot be disabled.

For example, you may be using the scanner in a retail setting to read U.P.C. symbols, but have occasional need to read a code on a drivers license. Since some licenses have a Code 39 symbol as well as the PDF417 symbol, you can use Preferred Symbology to specify that the PDF417 symbol be read instead of the Code 39.

Preferred Symbology classifies each symbology as high priority, low priority, or as an unspecified type. When a low priority symbology is presented, the scanner ignores it for a set period of time (see [Preferred Symbology Time-out](#) on page 135) while it searches for the high priority symbology. If a high priority symbology is located during this period, then that data is read immediately.

If the time-out period expires before a high priority symbology is read, the scanner will read any bar code in its view (low priority or unspecified). If there is no bar code in the scanner's view after the time-out period expires, then no data is reported.

Note: *A low priority symbol must be centered on the aiming pattern to be read.*

Scan a bar code below to enable or disable Preferred Symbology. *Default = Preferred Symbology Off.*





PRFENAO.

* Preferred Symbology Off

High Priority Symbology

To specify the high priority symbology, scan the **High Priority Symbology** bar code below. On the [Symbology Charts](#) on page 327, find the symbology you want to set as high priority. Locate the Hex value for that symbology and scan the 2 digit hex value from the [Programming Chart](#), beginning on page 341, then **Save**. *Default = None.*



PRFCOD.

High Priority Symbology

Low Priority Symbology

To specify the low priority symbology, scan the **Low Priority Symbology** bar code below. On the [Symbology Charts](#) on page 327, find the symbology you want to set as low priority. Locate the Hex value for that symbology and scan the 2 digit hex value from the [Programming Chart](#), beginning on page 341.

If you want to set additional low priority symbologies, scan **FF**, then scan the 2 digit hex value from the [Programming Chart](#), beginning on page 341, for the next symbology. You can program up to 5 low priority symbologies. Scan **Save** to save your selection. *Default = None.*



PRFBLK.

Low Priority Symbology

Preferred Symbology Time-out

Once you have enabled Preferred Symbology and entered the high and low priority symbologies, you must set the time-out period. This is the period of time the scanner will search for a high priority bar code after a low priority bar code has been encountered. Scan the bar code below, then set the delay (from 1-3,000 milliseconds) by scanning digits from the [Programming Chart](#), beginning on page 341, then **Save**. *Default = 500 ms.*



PRFPTO.

Preferred Symbology Time-out

Preferred Symbology Default

Scan the bar code below to set all Preferred Symbology entries to their default values.



Output Sequence Overview

Output Sequence Editor

This programming selection allows you to program the scanner to output data (when scanning more than one symbol) in whatever order your application requires, regardless of the order in which the bar codes are scanned. Reading the **Default Sequence** symbol programs the scanner to the Universal values, shown below. These are the defaults. Be certain you want to delete or clear all formats before you read the **Default Sequence** symbol.

Note: To make Output Sequence Editor selections, you'll need to know the code I.D., code length, and character match(es) your application requires. Use the Alphanumeric symbols from the [Programming Chart](#), beginning on page 341. You must hold the trigger while reading each bar code in the sequence.

To Add an Output Sequence

1. Scan the *Enter Sequence* symbol (see [Require Output Sequence](#), page 139).
2. **Code I.D.**
On the [Symbology Charts](#) on page 327, find the symbology to which you want to apply the output sequence format. Locate the Hex value for that symbology and scan the 2 digit hex value from the Programming Chart (inside back cover).
3. **Length**
Specify what length (up to 9999 characters) of data output will be acceptable for this symbology. Scan the four digit data length [Programming Chart](#), beginning on page 341. (Note: 50 characters is entered as 0050. 9999 is a universal number, indicating all lengths.) When calculating the length, you must count any programmed prefixes, suffixes, or formatted characters as part of the length (unless using 9999).
4. **Character Match Sequences**
On the [ASCII Conversion Chart \(Code Page 1252\)](#), page 330, find the Hex value that represents the character(s) you want to match. Use the [Programming Chart](#), beginning on page 341, to read the alphanumeric combination that represents the ASCII characters. (99 is the Universal number, indicating all characters.)

5. End Output Sequence Editor

Scan **FF** to enter an Output Sequence for an additional symbology, or **Save** to save your entries.

Other Programming Selections

Discard exits without saving any Output Sequence changes.

Output Sequence Example

In this example, you are scanning Code 93, Code 128, and Code 39 bar codes, but you want the scanner to output Code 39 1st, Code 128 2nd, and Code 93 3rd, as shown below.

Note: Code 93 must be enabled to use this example.



A - Code 39



B - Code 128



C - Code 93

You would set up the sequence editor with the following command line:

SEQBLK62999941FF6A999942FF69999943FF

The breakdown of the command line is shown below:

SEQBLK	sequence editor start command
62	code identifier for Code 39
9999	code length that must match for Code 39, 9999 = all lengths
41	start character match for Code 39, 41h = "A"
FF	termination string for first code
6A	code identifier for Code 128
9999	code length that must match for Code 128, 9999 = all lengths
42	start character match for Code 128, 42h = "B"
FF	termination string for second code
69	code identifier for Code 93
9999	code length that must match for Code 93, 9999 = all lengths

43 start character match for Code 93, 43h = "C"
FF termination string for third code

To program the previous example using specific lengths, you would have to count any programmed prefixes, suffixes, or formatted characters as part of the length. If you use the example on [page 137](#), but assume a <CR> suffix and specific code lengths, you would use the following command line:

SEQBLK62001241FF6A001342FF69001243FF

The breakdown of the command line is shown below:

SEQBLK sequence editor start command
62 code identifier for **Code 39**
0012 A - Code 39 sample length (11) plus CR suffix (1) = 12
41 start character match for Code 39, 41h = "A"
FF termination string for first code
6A code identifier for **Code 128**
0013 B - Code 128 sample length (12) plus CR suffix (1) = 13
42 start character match for Code 128, 42h = "B"
FF termination string for second code
69 code identifier for **Code 93**
0012 C - Code 93 sample length (11) plus CR suffix (1) = 12
43 start character match for Code 93, 43h = "C"
FF termination string for third code

Output Sequence Editor



Partial Sequence

If an output sequence operation is terminated before all your output sequence criteria are met, the bar code data acquired to that point is a "partial sequence."

Scan **Discard Partial Sequence** to discard partial sequences when the output sequence operation is terminated before completion. Scan **Transmit Partial Sequence** to transmit partial sequences. (Any fields in the sequence where no data match occurred are skipped in the output.)



SEQTTS1.

Transmit Partial Sequence



SEQTTS0.

*** Discard Partial Sequence**

Require Output Sequence

When an output sequence is **Required**, all output data must conform to an edited sequence or the scanner will not transmit the output data to the host device. When it's **On/Not Required**, the scanner will attempt to get the output data to conform to an edited sequence but, if it cannot, the scanner transmits all output data to the host device as is.

When the output sequence is **Off**, the bar code data is output to the host as the scanner decodes it. *Default = Off.*

Note: *This selection is unavailable when the Multiple Symbols Selection is turned on.*



SEQ_EN2.

Required



SEQ_EN1.

On/Not Required



SEQ_EN0.

***Off**

Multiple Symbols

When this programming selection is turned **On**, it allows you to read multiple symbols with a single pull of the scanner's trigger. If you press and hold the trigger, aiming the scanner at a series of symbols, it reads unique symbols once, beeping (if turned on) for each read. If using a Granit scanner, the scanner also vibrates. The

scanner attempts to find and decode new symbols as long as the trigger is pulled. When this programming selection is turned **Off**, the scanner will only read the symbol closest to the aiming beam. *Default = Off.*



No Read

With No Read turned **On**, the scanner notifies you if a code cannot be read. If using an EZConfig-Scanning Tool Scan Data Window (see page 255), an "NR" appears when a code cannot be read. If No Read is turned **Off**, the "NR" will not appear. *Default = Off.*



If you want a different notation than "NR," for example, "Error," or "Bad Code," you can edit the output message (see [Data Format](#) beginning on page 157). The hex code for the No Read symbol is **9C**.

Video Reverse

Video Reverse is used to allow the scanner to read bar codes that are inverted. The **Video Reverse Off** bar code below is an example of this type of bar code. Scan **Video Reverse Only** to read *only* inverted bar codes. Scan **Video Reverse and Standard Bar Codes** to read both types of codes.

Note: After scanning **Video Reverse Only**, menu bar codes cannot be read. You must scan **Video Reverse Off** or **Video Reverse and Standard Bar Codes** in order to read menu bar codes.

Note: Images downloaded from the unit are not reversed. This is a setting for decoding only.



VIDREV1.

Video Reverse Only



VIDREV2

Video Reverse and Standard Bar Codes



VIDREV0.

*** Video Reverse Off**

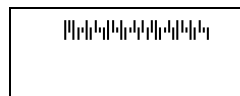
Working Orientation

Some bar codes are direction-sensitive. For example, KIX codes and OCR can mis-read when scanned sideways or upside down. Use the working orientation settings if your direction-sensitive codes will not usually be presented upright to the scanner. *Default = Upright.*

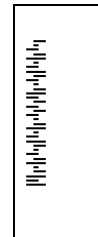
Upright:



Upside Down:



Vertical, Top to Bottom:
(Rotate CW 90°)



Vertical, Bottom to Top:
(Rotate CCW 90°)



ROTATNO.

*** Upright**



ROTATN2.
Upside Down



ROTATN1.
Vertical, Bottom to Top



ROTATN3.
Vertical, Top to Bottom

The following settings have been developed to enhance scanning in a healthcare environment. These settings are only supported by the Xenon 1900h scanner and Xenon 1902h scanner and base. They allow you to set quickly configure streaming presentation, and to set the scanner and base to quiet modes for scanning that do not disturb resting patients.

Quiet Operations - Combination Codes

The following combination codes program your Xenon healthcare scanner and base for silent or quiet settings using a single programming code. If you wish to program some of these quiet settings individually, refer to [Quiet Operations - LED and Volume Settings](#), beginning on page 145.

Silent Mode with Flashing LED

Scan the following bar code to completely silence the Xenon 1900h scanner or Xenon 1902h scanner and base. The scanner beep, base beep, base and scanner power up beep, and scanner linking sounds are all silenced. When a bar code is scanned, the LED and aimer flash 5 times. Green indicates a good scan, red indicates a bad scan.



**Silent Mode with Flashing LED -
Cordless Scanner and Base**



**Silent Mode with Flashing LED -
Corded Scanner**

Silent Mode with Long LED

Scan the following bar code to completely silence the Xenon 1900h scanner or Xenon 1902h scanner and base. The scanner beep, base beep, base and scanner power up beep, and scanner linking sounds are all silenced. When a bar code is scanned, the LED and aimer remain solidly lit for 1 second. Green indicates a good scan, red indicates a bad scan.



**Silent Mode with Long LED -
Cordless Scanner and Base**



**Silent Mode with Long LED -
Corded Scanner**

Very Low Beeper (Nighttime Mode)

The following bar code silences the base, and sets the scanner for a very low beep when reading bar codes. After scanning this code, the base beep, base and scanner power up beep, and scanner linking sounds are all silenced. When a bar code is scanned, the scanner emits a very soft beep.



**Nighttime Mode -
Cordless Scanner and Base**



**Nighttime Mode -
Corded Scanner**

Low Beeper (Daytime Mode)

The following bar code sets all sounds to on, but at a low volume. The scanner beep, base beep, base and scanner power up beep, and scanner linking sounds are all set to low volume.



Daytime Mode -
Cordless Scanner and Base



Daytime Mode -
Corded Scanner

To reset your scanner and base to default sounds, refer to [Reset the Custom Defaults](#) (page 263).

Quiet Operations - LED and Volume Settings

If you have silenced or muted the scanner and base sounds, you may wish to adjust the visual (LED) indicators for Bluetooth linking sounds, scanning sounds, paging sounds, and out of range alarm sounds.

Linking LED Colors and Sound

Note: *This setting is not supported by the Xenon 1900h scanner.*

Under normal operations, the scanner chirps when linking to a base or an access point, and the LED on both the base and scanner flash green. If you want to silence all sounds and set both devices to flash red LEDs to indicate the linking status, scan the **Red LED Flashes/Silent** bar code below. The LEDs flash red while linking, then green to indicate the base and scanner are linked. To return to the default LED colors and sound, scan **Green LED Flashes/Sound**. *Default = Green LED Flashes/Sound.*



BEPPAR1.

* Green LED Flashes/Sound



BEPPAR0.

Red LED Flashes/Silent

Number of LED Flashes

If you have silenced the scanner's beeper, you may set the number of times the LED flashes when reading bar codes. *Default = 1 LED Flash.*

Note: If you have set [LED Solid \(No Flash\)](#) (page 147), to anything but **Off**, that setting will override the LED Flash settings. In that case, scan the **LED Solid Off** bar code to turn off this feature, then scan the LED Flash code you wish to use.



BEPLFN0.

* 1 LED Flash



BEPLFN5.

5 LED Flashes



BEPLFN10.

10 LED Flashes



BEPLFN25.

25 LED Flashes

LED Flash Rate

If you have silenced the scanner's beeper, you may set the how quickly the LED flashes when reading bar codes. *Default = Fast Flash.*



BEPLFR50.

* Fast Flash



BEPLFR250.

Medium Flash



BEPLFR500.

Slow Flash

LED Solid (No Flash)

Under normal operations, the scanner's LED flashes once for a good read. You may set the LED to remain on for a length of time after a good read instead of flashing. *Default = LED Solid Off (Resume Flash).*



BEPLOT0.

* LED Solid Off
(Resume Flash)



BEPLOT1.

LED Solid 1 Second



BEPLOT3.

LED Solid 3 Seconds



BEPLOT5.

LED Solid 5 Seconds

If you have scanned a bar code and don't want to wait for the LED to turn off, press the trigger a 2nd time and the LED turns off. You can then scan the next bar code.

Page Volume Control

Note: *This setting is not supported by the Xenon 1900h scanner.*

When you press the Page button on the base or Access Point, the scanners associated with that base or Access Point will begin beeping in response. If you pull the trigger on a scanner that is beeping in response, or press the Page button on the base or Access Point a second time, all associated scanners will stop beeping. The following settings set the paging volume, independent of the volume used when scanning bar codes. *Default = Low.*



BEPPGV0.

Page Volume Off



BEPPGV1.

* Page Volume Low



BEPPGV2.

Page Volume Medium



BEPPGV3.

Page Volume High

Out-of-Range Alarm Volume

Note: This setting is not supported by the Xenon 1900h scanner.

If your scanner is out range of the base, an alarm sounds from both your base and scanner. If your scanner is out range of an Access Point, an alarm sounds from just the scanner. The alarm stops when the scanner is moved closer to the base or Access Point, when the base or Access Point connects to another scanner, or when the alarm duration expires (see [Out-of-Range Delay](#) on page 149). The following settings set the Out-of-Range Alarm for the base and the scanner, independent of the volume used when scanning bar codes. *Default = Base Alarm Volume Low, Scanner Alarm Volume Low.*



BASORV0.

Base Alarm Volume
Off



BT_ORV0.

Scanner Alarm Volume
Off



BASORV1.

* Base Alarm Volume
Low



BT_ORV1.

* Scanner Alarm Volume
Low



BASORV2.

Base Alarm Volume
Medium



BASORV3.

Base Alarm Volume
High



BT_ORV2.

Scanner Alarm Volume
Medium



BT_ORV3.

Scanner Alarm Volume
High

Out-of-Range Delay

Note: This setting is not supported by the Xenon 1900h scanner.

When using the Out-of-Range Alarm settings, the length of the delay for the alarm is set with an **Out-of-Range Delay**. When the scanner is out of range of the base or Access Point, the alarm will delay for a set length of time before going off. Set the length (in seconds) for a timeout by scanning the following bar code, then setting the timeout (from 0-3,000 seconds) by scanning digits from the [Programming Chart](#), beginning on page 341, then **Save**. *Default = No Delay.*



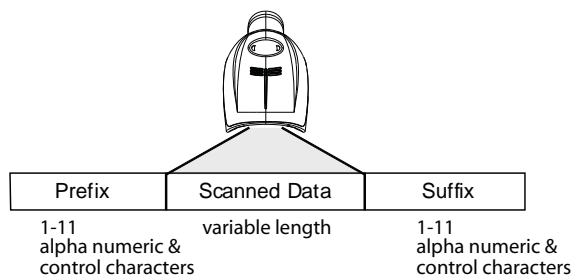
BT_ORY.

Out-of-Range Delay

Prefix/Suffix Overview

When a bar code is scanned, additional information is sent to the host computer along with the bar code data. This group of bar code data and additional, user-defined data is called a “message string.” The selections in this section are used to build the user-defined data into the message string.

Prefix and Suffix characters are data characters that can be sent before and after scanned data. You can specify if they should be sent with all symbologies, or only with specific symbologies. The following illustration shows the breakdown of a message string:



Points to Keep In Mind

- It is not necessary to build a message string. The selections in this chapter are only used if you wish to alter the default settings. *Default prefix = None. Default suffix = None.*
- A prefix or suffix may be added or cleared from one symbology or all symbologies.
- You can add any prefix or suffix from the [ASCII Conversion Chart \(Code Page 1252\)](#), beginning on page 330, plus Code I.D. and AIM I.D.
- You can string together several entries for several symbologies at one time.
- Enter prefixes and suffixes in the order in which you want them to appear on the output.

- When setting up for specific symbologies (as opposed to all symbologies), the specific symbology ID value counts as an added prefix or suffix character.
- The maximum size of a prefix or suffix configuration is 200 characters, which includes header information.

Add a Prefix or Suffix:

- Step 1. Scan the **Add Prefix** or **Add Suffix** symbol ([page 153](#)).
- Step 2. Determine the 2 digit hex value from the [Symbology Charts](#) (beginning on page A-327) for the symbology to which you want to apply the prefix or suffix. For example, for Code 128, Code ID is “j” and Hex ID is “6A”.
- Step 3. Scan the 2 hex digits from the [Programming Chart](#), beginning on page 341, or scan **9, 9** for all symbologies.

To add the Code I.D., scan **5, C, 8, 0**.

To add the AIM I.D., scan **5, C, 8, 1**.

To add the serial number, scan **5, C, 8, 8**.

To add a backslash (\), scan **5, C, 5, C**.

Note: When adding a backslash (\), you must scan 5C twice – once to create the leading backslash and then to create the backslash itself.

- Step 4. Repeat Steps 2 and 3 for every prefix or suffix character.
 - Step 5. Scan **Save** to exit and save, or scan **Discard** to exit without saving.
- Repeat the steps above to add a prefix or suffix for another symbology.

Example: Add a Tab Suffix to All Symbologies

- Step 1. Scan **Add Suffix**.
- Step 2. Scan **9, 9** from the [Programming Chart](#), beginning on page 341 to apply this suffix to all symbologies.
- Step 3. Scan **0, 9** from the [Programming Chart](#), beginning on page 341. This corresponds with the hex value for a horizontal tab, shown in the [ASCII Conversion Chart \(Code Page 1252\)](#), beginning on page 330.
- Step 4. Scan **Save**, or scan **Discard** to exit without saving.

Clear One or All Prefixes or Suffixes

You can clear a single prefix or suffix, or clear all prefixes/suffixes for a symbology. If you have been entering prefixes and suffixes for single symbologies, you can use **Clear One Prefix (Suffix)** to delete a specific character from a symbology. When you **Clear All Prefixes (Suffixes)**, all the prefixes or suffixes for a symbology are deleted.

- Step 1. Scan the **Clear One Prefix** or **Clear One Suffix** symbol.
- Step 2. Determine the 2 digit Hex value from the Symbology Chart (included in the [Symbology Charts](#), beginning on page 327) for the symbology from which you want to clear the prefix or suffix.
- Step 3. Scan the 2 digit hex value from the [Programming Chart](#), beginning on page 341 or scan **9, 9** for all symbologies.

Your change is automatically saved.

Add a Carriage Return Suffix to All Symbologies

Scan the following bar code if you wish to add a carriage return suffix to all symbologies at once. This action first clears all current suffixes, then programs a carriage return suffix for all symbologies.



Prefix Selections



Suffix Selections





SUFCA2.

Clear All Suffixes

Function Code Transmit

When this selection is enabled and function codes are contained within the scanned data, the scanner transmits the function code to the terminal. Charts of these function codes are provided in [ASCII Conversion Chart \(Code Page 1252\)](#), beginning on page 330. When the scanner is in keyboard wedge mode, the scan code is converted to a key code before it is transmitted. *Default = Enable.*



RMVFNC0.

* Enable



RMVFNC1.

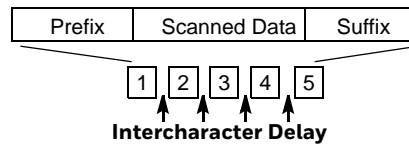
Disable

Intercharacter, Interfunction, and Intermessage Delays

Some terminals drop information (characters) if data comes through too quickly. Intercharacter, interfunction, and intermessage delays slow the transmission of data, increasing data integrity.

Intercharacter Delay

An intercharacter delay of up to 5000 milliseconds (in 5ms increments) may be placed between the transmission of each character of scanned data. Scan the **Intercharacter Delay** bar code below, then scan the number of 5ms delays from the [Programming Chart](#), beginning on page 341, then **Save**.



DLYCHR.

Intercharacter Delay

To remove this delay, scan the **Intercharacter Delay** bar code, then set the number of delays to 0. Scan the **Save** bar code from the [Programming Chart](#), beginning on page 341.

Note: *Intercharacter delays are not supported in USB serial emulation.*

User Specified Intercharacter Delay

An intercharacter delay of up to 5000 milliseconds (in 5ms increments) may be placed after the transmission of a particular character of scanned data. Scan the **Delay Length** bar code below, then scan the number of 5ms delays from the [Programming Chart](#), beginning on page 341, then **Save**.

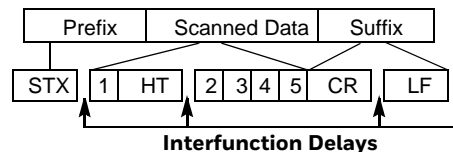
Next, scan the **Character to Trigger Delay** bar code, then the 2-digit hex value for a printable character to trigger the delay (see [Lower ASCII Reference Table](#), page 331.)



To remove this delay, scan the Delay Length bar code, and set the number of delays to 0. Scan the Save bar code from the [Programming Chart](#), beginning on page 341.

Interfunction Delay

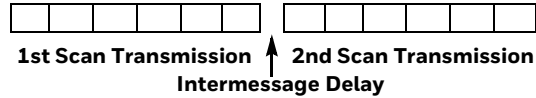
An interfunction delay of up to 5000 milliseconds (in 5ms increments) may be placed between the transmission of each control character in the message string. Scan the **Interfunction Delay** bar code below, then scan the number of 5ms delays, and the **Save** bar code from the [Programming Chart](#), beginning on page 341.



To remove this delay, scan the **Interfunction Delay** bar code, then set the number of delays to 0. Scan the **Save** bar code from the [Programming Chart](#), beginning on page 341.

Intermessage Delay

An intermessage delay of up to 5000 milliseconds (in 5ms increments) may be placed between each scan transmission. Scan the **Intermessage Delay** bar code below, then scan the number of 5ms delays, and the **Save** bar code from the [Programming Chart](#), beginning on page 341.



To remove this delay, scan the **Intermessage Delay** bar code, then set the number of delays to 0. Scan the **Save** bar code from the [Programming Chart](#), beginning on page 341.

Data Format Editor Introduction

You may use the Data Format Editor to change the scanner's output. For example, you can use the Data Format Editor to insert characters at certain points in bar code data as it is scanned. The selections in the following pages are used only if you wish to alter the output. *Default Data Format setting = None.*

Normally, when you scan a bar code, it is output automatically. However, when you create a format, you must use a "send" command (see [Send Commands](#) on page 160) within the format program to output data.

Multiple formats may be programmed into the scanner. They are stacked in the order in which they are entered. However, the following list presents the order in which formats are applied:

1. Specific Terminal ID, Actual Code ID, Actual Length
2. Specific Terminal ID, Actual Code ID, Universal Length
3. Specific Terminal ID, Universal Code ID, Actual Length
4. Specific Terminal ID, Universal Code ID, Universal Length
5. Universal Terminal ID, Actual Code ID, Actual Length
6. Universal Terminal ID, Actual Code ID, Universal Length
7. Universal Terminal ID, Universal Code ID, Actual Length
8. Universal Terminal ID, Universal Code ID, Universal Length

The maximum size of a data format configuration is 2000 bytes, which includes header information.

If a bar code is read that fails the first data format, the next data format, if there is one, will be used on the bar code data. If there is no other data format, the raw data is output.

If you have changed data format settings, and wish to clear all formats and return to the factory defaults, scan the **Default Data Format** code below.



Add a Data Format

- Step 1. Scan the **Enter Data Format** symbol ([page 159](#)).
- Step 2. **Select Primary/Alternate Format**
Determine if this will be your primary data format, or one of 3 alternate formats. This allows you to save a total of 4 different data formats. To program your primary format, scan **0** from the [Programming Chart](#), beginning on page 341. If you are programming an alternate format, scan **1, 2, or 3**, depending on which alternate format you are programming. (See [Primary/Alternate Data Formats](#) on page 175 for further information.)
- Step 3. **Terminal Type**
Refer to [Terminal ID Table](#) (page 160) and locate the Terminal ID number for your PC. Scan three numeric bar codes from the [Programming Chart](#), beginning on page 341, to program the scanner for your terminal ID (you must enter 3 digits). For example, scan **0 0 3** for an AT wedge.

Note: **099** indicates all terminal types.

- Step 4. **Code I.D.**
In the [Symbology Charts](#), beginning on page 327, find the symbology to which you want to apply the data format. Locate the Hex value for that symbology and scan the 2 digit hex value from the [Programming Chart](#), beginning on page 341.

If you wish to create a data format for all symbologies, with the exception of some specific symbologies, refer to B8 ([page 173](#)).

If you are creating a data format for Batch Mode Quantity, use **35** for the Code I.D.

Note: **99** indicates all symbologies.

- Step 5. **Length**
Specify what length (up to 9999 characters) of data will be acceptable for this symbology. Scan the four digit data length from the [Programming Chart](#), beginning on page 341. For example, 50 characters is entered as **0050**.

Note: **9999** indicates all lengths.

- Step 6. **Editor Commands**
Refer to [Data Format Editor Commands](#) (page 160). Scan the symbols that represent the command you want to enter.

Step 7. Scan **Save** to save your data format, or **Discard** to exit without saving your changes.



Other Programming Selections

- **Clear One Data Format**
This deletes one data format for one symbology. If you are clearing the primary format, scan **0** from the [Programming Chart](#), beginning on page 341. If you are clearing an alternate format, scan **1**, **2**, or **3**, depending on the format you are clearing. Scan the Terminal Type and Code I.D. (see [Symbology Charts](#) on page 327), and the bar code data length for the specific data format that you want to delete. All other formats remain unaffected.
- **Clear all Data Formats**
This clears all data formats.
- **Save**
Exit and save your data format changes.
- **Discard**
Exit without saving any data format changes.



Terminal ID Table

Terminal	Model(s)	Terminal ID
USB	PC keyboard (HID)	124
	Mac Keyboard	125
	PC Keyboard (Japanese)	134
	Serial (COM driver required)	130
	HID POS	131
	USB SurePOS Handheld	128
Serial	USB SurePOS Tabletop	129
	RS232 TTL	000
	RS232 True	000
Keyboard	RS485 (IBM-HHBCR 1+2, 46xx)	051
	PS2 compatibles	003
	AT compatibles	002

Data Format Editor Commands

When working with the Data Format Editor, a virtual cursor is moved along your input data string. The following commands are used to both move this cursor to different positions, and to select, replace, and insert data into the final output.

Send Commands

Send all characters

- F1** Include in the output message all of the characters from the input message, starting from current cursor position, followed by an insert character. *Syntax = F1xx* where xx stands for the insert character's hex value for its ASCII code. Refer to the [ASCII Conversion Chart \(Code Page 1252\)](#), beginning on page 330 for decimal, hex and character codes.

Send a number of characters

- F2** Include in the output message a number of characters followed by an insert character. Start from the current cursor position and continue for "nn" characters or through the last character in the input message, followed by character "xx." *Syntax = F2nxx* where nn stands for the numeric value (00-99) for the number of characters, and xx stands for the insert character's hex value for its ASCII code. Refer to the [ASCII Conversion Chart \(Code Page 1252\)](#), beginning on page 330 for decimal, hex and character codes.

F2 Example: Send a number of characters



Send the first 10 characters from the bar code above, followed by a carriage return.
Command string: F2100D

F2 is the “Send a number of characters” command

10 is the number of characters to send

0D is the hex value for a CR

The data is output as: **1234567890**

F2 and F1 Example: Split characters into 2 lines

Send the first 10 characters from the bar code above, followed by a carriage return, followed by the rest of the characters.

Command string: **F2100DF10D**

F2 is the “Send a number of characters” command

10 is the number of characters to send for the first line

0D is the hex value for a CR

F1 is the “Send all characters” command

0D is the hex value for a CR

The data is output as:

1234567890

ABCDEFGHIJ

<CR>

Send all characters up to a particular character

F3 Include in the output message all characters from the input message, starting with the character at the current cursor position and continuing to, but not including, the search character “ss,” followed by an insert character. The cursor is moved forward to the “ss” character. *Syntax = F3ssxx* where ss stands for the search character’s hex value for its ASCII code, and xx stands for the insert character’s hex value for its ASCII code.

Refer to the [ASCII Conversion Chart \(Code Page 1252\)](#), beginning on page 330 for decimal, hex and character codes.

F3 Example: Send all characters up to a particular character



Using the bar code above, send all characters up to but not including “D,” followed by a carriage return.

Command string: **F3440D**

F3 is the “Send all characters up to a particular character” command

44 is the hex value for a 'D’

0D is the hex value for a CR

The data is output as:

1234567890ABC

<CR>

Send all characters up to a string

B9 Include in the output message all characters from the input message, starting with the character at the current cursor position and continuing to, but not including, the search string “s...s.” The cursor is moved forward to the beginning of the “s...s” string. *Syntax = B9nnns...s* where nnnn stands for the length of the string, and s...s stands for the string to be matched. The string is made up of hex values for the characters in the string. Refer to the [ASCII Conversion Chart \(Code Page 1252\)](#), beginning on page 330 for decimal, hex and character codes.

B9 Example: Send all characters up to a defined string



1234567890ABCDEFGHIJ

Using the bar code above, send all characters up to but not including “AB.”

Command string: **B900024142**

B9 is the “Send all characters up to a string” command

0002 is the length of the string (2 characters)

41 is the hex value for A

42 is the hex value for B

The data is output as: **1234567890**

Send all but the last characters

E9 Include in the output message all but the last “nn” characters, starting from the current cursor position. The cursor is moved forward to one position past the last input message character included. *Syntax = E9nn* where nn stands for the numeric value (00-99) for the number of characters that will not be sent at the end of the message.

Insert a character multiple times

F4 Send “xx” character “nn” times in the output message, leaving the cursor in the current position. *Syntax = F4xxnn* where xx stands for the insert character’s hex value for its ASCII code, and nn is the numeric value (00-99) for the number of times it should be sent. Refer to the [ASCII Conversion Chart \(Code Page 1252\)](#), beginning on page 330 for decimal, hex and character codes.

E9 and F4 Example: Send all but the last characters, followed by 2 tabs



Send all characters except for the last 8 from the bar code above, followed by 2 tabs.

Command string: **E908F40902**

E9 is the “Send all but the last characters” command

08 is the number of characters at the end to ignore

F4 is the “Insert a character multiple times” command

09 is the hex value for a horizontal tab

02 is the number of times the tab character is sent

The data is output as: **1234567890AB <tab><tab>**

Insert a string

BA Send “ss” string of “nn” length in the output message, leaving the cursor in the current position. *Syntax = BAnnnns...s* where nnnn stands for the length of the string, and s...s stands for the string. The string is made up of hex values for the characters in the string. Refer to the [ASCII Conversion Chart \(Code Page 1252\)](#), beginning on page 330 for decimal, hex and character codes.

B9 and BA Example: Look for the string “AB” and insert 2 asterisks ()**



Using the bar code above, send all characters up to but not including “AB.” Insert 2 asterisks at that point, and send the rest of the data with a carriage return after.

Command string: **B900024142BA00022A2AF10D**

B9 is the “Send all characters up to a string” command

0002 is the length of the string (2 characters)

41 is the hex value for A

42 is the hex value for B

BA is the “Insert a string” command

0002 is the length of the string to be added (2 characters)

2A is the hex value for an asterisk (*)

2A is the hex value for an asterisk (*)

F1 is the “Send all characters” command

0D is the hex value for a CR

The data is output as:

1234567890ABCDEF GHIJ**

<CR>

Insert symbology name

- B3** Insert the name of the bar code’s symbology in the output message, without moving the cursor. Only symbologies with a Honeywell ID are included (see [Symbology Charts](#) on page 327). Refer to the [ASCII Conversion Chart \(Code Page 1252\)](#), beginning on page 330 for decimal, hex and character codes.

Insert bar code length

- B4** Insert the bar code’s length in the output message, without moving the cursor. The length is expressed as a numeric string and does not include leading zeros.

B3 and B4 Example: Insert the symbology name and length



Send the symbology name and length before the bar code data from the bar code above. Break up these insertions with spaces. End with a carriage return.

Command string: **B3F42001B4F42001F10D**

B3 is the “Insert symbology name” command

F4 is the “Insert a character multiple times” command

20 is the hex value for a space

01 is the number of times the space character is sent

B4 is the “Insert bar code length” command

F4 is the “Insert a character multiple times” command

20 is the hex value for a space

01 is the number of times the space character is sent

F1 is the “Send all characters” command

OD is the hex value for a CR

The data is output as:

Code128 20 1234567890ABCDEFGHIJ
<CR>

Insert key strokes

B5 Insert a key stroke or combination of key strokes. Key strokes are dependent on your keyboard (see [Keyboard Key References](#) on page 337). Any key can be inserted, including arrows and functions. *Syntax* = 5CB5xxssnn where xx is the number of keys pressed (without key modifiers), ss is the key modifier from the table below, and nn is the key number from the [Keyboard Key References](#), page 337.

Key Modifiers	Hex
No Key Modifier	00
Shift Left	01
Shift Right	02
Alt Left	04
Alt Right	08
Control Left	10
Control Right	20

- For example, B501021F inserts an “A” on a 104 key, U.S. style keyboard. B5 = the command, 01 = number of key press events (without the key modifier), 02 is the key modifier for Shift Right, and 1F is the “a” key. If a lower case “a” were to be inserted, B501001F would be entered.

If there are three keystrokes, the syntax would change from B5xxssnn for one key-stroke to B5xxssnnssnnssnn. An example that would insert "abc" is as follows:
B503001F00320030F833.

Note: *Key modifiers can be added together when needed. The sum is converted to hexadecimals.*

Example: Control Left+Shift Left = 17, converted to hexadecimal = 11.

Move Commands

Move the cursor forward a number of characters

F5 Move the cursor ahead “nn” characters from current cursor position.
Syntax = F5nn where nn is the numeric value (00-99) for the number of characters the cursor should be moved ahead.

F5 Example: Move the cursor forward and send the data



Move the cursor forward 3 characters, then send the rest of the bar code data from the bar code above. End with a carriage return.

Command string: **F503F10D**

F5 is the “Move the cursor forward a number of characters” command

03 is the number of characters to move the cursor

F1 is the “Send all characters” command

0D is the hex value for a CR

The data is output as:

4567890ABCDEFGHIJ
<CR>

Move the cursor backward a number of characters

- F6** Move the cursor back “nn” characters from current cursor position.
Syntax = F6nn where nn is the numeric value (00-99) for the number of characters the cursor should be moved back.

Move the cursor to the beginning

- F7** Move the cursor to the first character in the input message. *Syntax = F7.*

FE and F7 Example: Manipulate bar codes that begin with a 1



Search for bar codes that begin with a 1. If a bar code matches, move the cursor back to the beginning of the data and send 6 characters followed by a carriage return. Using the bar code above:

Command string: **FE31F7F2060D**

FE is the “Compare characters” command

31 is the hex value for 1

F7 is the “Move the cursor to the beginning” command

F2 is the “Send a number of characters” command

06 is the number of characters to send

0D is the hex value for a CR

The data is output as:

123456
<CR>

Move the cursor to the end

EA Move the cursor to the last character in the input message. *Syntax = EA.*

Search Commands

Search forward for a character

F8 Search the input message forward for “xx” character from the current cursor position, leaving the cursor pointing to the “xx” character. *Syntax = F8xx* where xx stands for the search character’s hex value for its ASCII code. Refer to the [ASCII Conversion Chart \(Code Page 1252\)](#), beginning on page 330 for decimal, hex and character codes.

F8 Example: Send bar code data that starts after a particular character



Search for the letter “D” in bar codes and send all the data that follows, including the “D.” Using the bar code above:

Command string: **F844F10D**

F8 is the “Search forward for a character” command

44 is the hex value for “D”

F1 is the “Send all characters” command

0D is the hex value for a CR

The data is output as:

DEFGHIJ
<CR>

Search backward for a character

F9 Search the input message backward for “xx” character from the current cursor position, leaving the cursor pointing to the “xx” character. *Syntax = F9xx* where xx stands for the search character’s hex value for its ASCII code. Refer to the [ASCII Conversion Chart \(Code Page 1252\)](#), beginning on page 330 for decimal, hex and character codes.

Search forward for a string

B0 Search forward for “s” string from the current cursor position, leaving cursor pointing to “s” string. Syntax = B0nnnnS where nnnn is the string length (up to 9999), and S consists of the ASCII hex value of each character in the match string. For example, B0000454657374 will search forward for the first occurrence of the 4 character string “Test.”

Refer to the [ASCII Conversion Chart \(Code Page 1252\)](#), beginning on page 330 for decimal, hex and character codes.

B0 Example: Send bar code data that starts after a string of characters



Search for the letters “FGH” in bar codes and send all the data that follows, including “FGH.” Using the bar code above:

Command string: **B00003464748F10D**

B0 is the “Search forward for a string” command

0003 is the string length (3 characters)

46 is the hex value for “F”

47 is the hex value for “G”

48 is the hex value for “H”

F1 is the “Send all characters” command

0D is the hex value for a CR

The data is output as:

FGHIJ

<CR>

Search backward for a string

B1 Search backward for “s” string from the current cursor position, leaving cursor pointing to “s” string. Syntax = B1nnnnS where nnnn is the string length (up to 9999), and S consists of the ASCII hex value of each character in the match string. For example, B1000454657374 will search backward for the first occurrence of the 4 character string “Test.”

Refer to the [ASCII Conversion Chart \(Code Page 1252\)](#), beginning on page 330 for decimal, hex and character codes.

Search forward for a non-matching character

E6 Search the input message forward for the first non-“xx” character from the current cursor position, leaving the cursor pointing to the non-“xx” character. *Syntax = E6xx* where xx stands for the search character’s hex value for its ASCII code. Refer to the [ASCII Conversion Chart \(Code Page 1252\)](#), beginning on page 330 for decimal, hex and character codes.

E6 Example: Remove zeros at the beginning of bar code data



This example shows a bar code that has been zero filled. You may want to ignore the zeros and send all the data that follows. E6 searches forward for the first character that is not zero, then sends all the data after, followed by a carriage return. Using the bar code above:

Command string: **E630F10D**

E6 is the “Search forward for a non-matching character” command

30 is the hex value for 0

F1 is the “Send all characters” command

0D is the hex value for a CR

The data is output as:

37692

<CR>

Search backward for a non-matching character

E7 Search the input message backward for the first non-“xx” character from the current cursor position, leaving the cursor pointing to the non-“xx” character. *Syntax = E7xx* where xx stands for the search character’s hex value for its ASCII code. Refer to the [ASCII Conversion Chart \(Code Page 1252\)](#), beginning on page 330 for decimal, hex and character codes.

Miscellaneous Commands

Suppress characters

FB Suppress all occurrences of up to 15 different characters, starting at the current cursor position, as the cursor is advanced by other commands. When the FC command is encountered, the suppress function is terminated. The cursor is not moved by the FB command.

Syntax = FBnnxxyy . .zz where nn is a count of the number of suppressed characters in the list, and xxyy . .zz is the list of characters to be suppressed.

FB Example: Remove spaces in bar code data



This example shows a bar code that has spaces in the data. You may want to remove the spaces before sending the data. Using the bar code above:

Command string: **FB0120F10D**

FB is the “Suppress characters” command

01 is the number of character types to be suppressed

20 is the hex value for a space

F1 is the “Send all characters” command

0D is the hex value for a CR

The data is output as:

34567890
<CR>

Stop suppressing characters

FC Disables suppress filter and clear all suppressed characters. *Syntax = FC.*

Replace characters

E4 Replaces up to 15 characters in the output message, without moving the cursor. Replacement continues until the E5 command is encountered. *Syntax = E4nnxx₁xx₂yy₁yy₂...zz₁zz₂* where nn is the total count of the number of characters in the list (characters to be replaced plus replacement characters); xx₁ defines characters to be replaced and xx₂ defines replacement characters, continuing through zz₁ and zz₂.

E4 Example: Replace zeros with CRs in bar code data



If the bar code has characters that the host application does not want included, you can use the E4 command to replace those characters with something else. In this example, you will replace the zeros in the bar code above with carriage returns.

Command string: **E402300DF10D**

E4 is the “Replace characters” command

02 is the total count of characters to be replaced, plus the replacement characters (0 is replaced by CR, so total characters = 2)

30 is the hex value for 0

OD is the hex value for a CR (the character that will replace the O)

F1 is the “Send all characters” command

OD is the hex value for a CR

The data is output as:

1234

5678

ABC

<CR>

Stop replacing characters

E5 Terminates character replacement. *Syntax = E5.*

Compare characters

FE Compare the character in the current cursor position to the character “xx.” If characters are equal, move the cursor forward one position. *Syntax = FExx* where xx stands for the comparison character’s hex value for its ASCII code. Refer to the [ASCII Conversion Chart \(Code Page 1252\)](#), beginning on page 330 for decimal, hex and character codes.

Compare string

B2 Compare the string in the input message to the string “s.” If the strings are equal, move the cursor forward past the end of the string. *Syntax = B2nnnnS* where nnnn is the string length (up to 9999), and S consists of the ASCII hex value of each character in the match string. For example, B2000454657374 will compare the string at the current cursor position with the 4 character string “Test.” Refer to the [ASCII Conversion Chart \(Code Page 1252\)](#), beginning on page 330 for decimal, hex and character codes.

Check for a number

EC Check to make sure there is an ASCII number at the current cursor position. The format is aborted if the character is not numeric.

EC Example: Only output the data if the bar code begins with a number


If you want only data from bar codes that begin with a number, you can use EC to check for the number.

Command string: **ECF1OD**

EC is the “Check for a number” command

F1 is the “Send all characters” command

OD is the hex value for a CR

If this bar code is read,  the next data format, if there is one, will be used on the data. If there is no other format, the format fails and the raw data is output as **AB1234**.

If this bar code is read:  the data is output as:

1234AB
<CR>

Check for non-numeric character

ED Check to make sure there is a non-numeric ASCII character at the current cursor position. The format is aborted if the character is numeric.

ED Example: Only output the data if the bar code begins with a letter


If you want only data from bar codes that begin with a letter, you can use ED to check for the letter.

Command string: **EDF10D**

ED is the “Check for a non-numeric character” command

F1 is the “Send all characters” command

0D is the hex value for a CR

If this bar code is read,  the next data format, if there is one, will be used on this data. If there is no other format, the format fails and the raw data is output as **1234AB**.

If this bar code is read:  the data is output as:

AB1234
<CR>

Insert a delay

EF Inserts a delay of up to 49,995 milliseconds (in multiples of 5), starting from the current cursor position. Syntax = EFnnnn where nnnn stands for the delay in 5ms increments, up to 9999. This command can only be used with keyboard emulation.

Discard Data

B8 Discards types of data. For example, you may want to discard Code 128 bar codes that begin with the letter A. In step 4 ([page 158](#)), select 6A (for Code 128), and in step 5, select 9999 (for all lengths). Enter FE41B8 to compare and discard Code 128 bar codes that begin with the letter A. Syntax = B8.

Note: The B8 command must be entered after all other commands.

The Data Format must be **Required** (see [page 173](#)) in order for the B8 command to work.

If Data Format is On, but Not Required ([page 174](#)), bar code data that meets the B8 format is scanned and output as usual.

Because the data format needs to be **On** and **Required** ([page 174](#)) for the B8 command, you must input data formats for all bar codes you wish to discard as well as all bar codes you wish to output.

Other data format settings impact the B8 command. If Data Format Non-Match Error Tone is On ([page 174](#)), the scanner emits an error tone. If Data format Non-Match Error Tone is Off, the code is disabled for reading and no tone is sounded.

Data Formatter

When Data Formatter is turned Off, the bar code data is output to the host as read, including prefixes and suffixes.



You may wish to require the data to conform to a data format you have created and saved. The following settings can be applied to your data format:

- **Data Formatter On, Not Required, Keep Prefix/Suffix**
Scanned data is modified according to your data format, and prefixes and suffixes are transmitted.
- **Data Formatter On, Not Required, Drop Prefix/Suffix**
Scanned data is modified according to your data format. If a data format is found for a particular symbol, those prefixes and suffixes are not transmitted. If a data format is *not* found for that symbol, the prefixes and suffixes are transmitted.
- **Data Format Required, Keep Prefix/Suffix**
Scanned data is modified according to your data format, and prefixes and suffixes are transmitted. Any data that does not match your data format requirements generates an error tone and the data in that bar code is not transmitted. If you wish to process this type of bar code without generating an error tone, see [Data Format Non-Match Error Tone](#).
- **Data Format Required, Drop Prefix/Suffix**
Scanned data is modified according to your data format. If a data format is found for a particular symbol, those prefixes and suffixes are not transmitted.

Any data that does not match your data format requirements generates an error tone. If you wish to process this type of bar code without generating an error tone, see [Data Format Non-Match Error Tone](#).

Choose one of the following options. *Default = Data Formatter On, Not Required, Keep Prefix/Suffix.*



DFM_EN1.
*** Data Formatter On,
Not Required,
Keep Prefix/Suffix**



DFM_EN3.
**Data Formatter On,
Not Required,
Drop Prefix/Suffix**



DFM_EN2.
**Data Format Required,
Keep Prefix/Suffix**



DFM_EN4.
**Data Format Required,
Drop Prefix/Suffix**

Data Format Non-Match Error Tone

When a bar code is encountered that doesn't match your required data format, the scanner normally generates an error tone. However, you may want to continue scanning bar codes without hearing the error tone. If you scan the **Data Format Non-Match Error Tone Off** bar code, data that doesn't conform to your data format is not transmitted, and no error tone will sound. If you wish to hear the error tone when a non-matching bar code is found, scan the **Data Format Non-Match Error Tone On** bar code. *Default = Data Format Non-Match Error Tone On.*



DFMDEC0.
*** Data Format Non-Match Error
Tone On**



DFMDEC1.
**Data Format Non-Match
Error Tone Off**

Primary/Alternate Data Formats

You can save up to four data formats, and switch between these formats. Your primary data format is saved under **0**. Your other three formats are saved under **1**, **2**, and **3**. To set your device to use one of these formats, scan one of the bar codes below.



ALTFNM0.

Primary Data Format



ALTFNM1.

Data Format 1



ALTFNM2.

Data Format 2



ALTFNM3.

Data Format 3

Single Scan Data Format Change

You can also switch between data formats for a single scan. The next bar code is scanned using an alternate data format, then reverts to the format you have selected above (either Primary, 1, 2, or 3).

For example, you may have set your device to the data format you saved as Data Format 3. You can switch to Data Format 1 for a single trigger pull by scanning the **Single Scan-Data Format 1** bar code below. The next bar code that is scanned uses Data Format 1, then reverts back to Data Format 3.



VSAF_0.

**Single Scan-Primary
Data Format**



VSAF_1.

Single Scan-Data Format 1



VSAF_2.

Single Scan-Data Format 2



SYMBOLOLOGIES

This programming section contains the following menu selections. Refer to [Chapter 12](#) for settings and defaults.

- All Symbolologies
- Aztec Code
- China Post (Hong Kong 2 of 5)
- Chinese Sensible (Han Xin) Code
- Codabar
- Codablock A
- Codablock F
- Code 11
- Code 128
- Code 32 Pharmaceutical (PARAF)
- Code 39
- Code 93
- Data Matrix
- EAN/JAN-13
- EAN/JAN-8
- GS1 Composite Codes
- GS1 DataBar Expanded
- GS1 DataBar Limited
- GS1 DataBar Omnidirectional
- GS1 Emulation
- GS1-128
- Interleaved 2 of 5
- Korea Post
- Label Code
- Matrix 2 of 5
- MaxiCode
- MicroPDF417
- MSI
- NEC 2 of 5
- Postal Codes - 2D
- Postal Codes - Linear
- PDF417
- GS1 DataBar Omnidirectional
- QR Code
- Straight 2 of 5 IATA (two-bar start/stop)
- Straight 2 of 5 Industrial (three-bar start/stop)
- TCIF Linked Code 39 (TLC39)
- Telepen
- Trioptic Code
- UPC-A
- UPC-A/EAN-13 with Extended Coupon Code
- UPC-E0
- UPC-E1

All Symbologies

If you want to decode all the symbologies allowable for your scanner, scan the **All Symbologies On** code. If on the other hand, you want to decode only a particular symbology, scan **All Symbologies Off** followed by the On symbol for that particular symbology.

Note: Scanner performance may reduce by scanning **All Symbologies On**. Only scan **All Symbologies On** when needed.



ALLEN A1.
All Symbologies On



ALLEN A0.
All Symbologies Off

Note: When **All Symbologies On** is scanned, 2D Postal Codes are not enabled. 2D Postal Codes must be enabled separately.

Message Length Description

You are able to set the valid reading length of some of the bar code symbologies. You may wish to set the same value for minimum and maximum length to force the scanner to read fixed length bar code data. This helps reduce the chances of a mis-read.

Example: Decode only those bar codes with a count of 9-20 characters.

Min. length = 09
Max. length = 20

Example: Decode only those bar codes with a count of 15 characters.

Min. length = 15
Max. length = 15

For a value other than the minimum and maximum message length defaults, scan the bar codes included in the explanation of the symbology, then scan the digit value of the message length and **Save** bar codes from the [Programming Chart](#), beginning on page 341. The minimum and maximum lengths and the defaults are included with the respective symbologies.

Codabar

<Default All Codabar Settings>



Codabar On/Off



Codabar Start / Stop Characters

Start/Stop characters identify the leading and trailing ends of the bar code. You may either transmit, or not transmit Start/Stop characters. *Default = Don't Transmit.*



Codabar Check Character

Codabar check characters are created using different "modulos." You can program the scanner to read only Codabar bar codes with Modulo 16 check characters. *Default = No Check Character.*

No Check Character indicates that the scanner reads and transmits bar code data with or without a check character.

When Check Character is set to **Validate and Transmit**, the scanner will only read Codabar bar codes printed with a check character, and will transmit this character at the end of the scanned data.

When Check Character is set to **Validate, but Don't Transmit**, the unit will only read Codabar bar codes printed *with* a check character, but will not transmit the check character with the scanned data.



CBRCK20.
* No Check Character



CBRCK21.
Validate Modulo 16, but
Don't Transmit



CBRCK22.
Validate Modulo 16
and Transmit

Codabar Concatenation

Codabar supports symbol concatenation. When you enable concatenation, the scanner looks for a Codabar symbol having a “D” start character, adjacent to a symbol having a “D” stop character. In this case the two messages are concatenated into one with the “D” characters omitted.



Select **Require** to prevent the scanner from decoding a single “D” Codabar symbol without its companion. This selection has no effect on Codabar symbols without Stop/Start D characters.



CBRCCT1.
On



CBRCCT0.
* Off



CBRCCT2.
Require

Codabar Message Length

Scan the bar codes below to change the message length. Refer to [Message Length Description](#) (page 178) for additional information. Minimum and Maximum lengths = 2-60. Minimum Default = 4, Maximum Default = 60.



Code 39

< Default All Code 39 Settings >



Code 39 On/Off



If you are reading Code 39 bar codes, Codablock A should remain disabled. If you are enabling Codablock A (see [Codablock A](#) on page 213), you should disable Code 39.

Code 39 Start / Stop Characters

Start/Stop characters identify the leading and trailing ends of the bar code. You may either transmit, or not transmit Start/Stop characters. *Default = Don't Transmit.*





Code 39 Check Character

No Check Character indicates that the scanner reads and transmits bar code data with or without a check character.

When Check Character is set to **Validate, but Don't Transmit**, the unit only reads Code 39 bar codes printed with a check character, but will not transmit the check character with the scanned data.

When Check Character is set to **Validate and Transmit**, the scanner only reads Code 39 bar codes printed with a check character, and will transmit this character at the end of the scanned data. *Default = No Check Character.*



Code 39 Message Length

Scan the bar codes below to change the message length. Refer to [Message Length Description](#) (page 178) for additional information. Minimum and Maximum lengths = 0-48. Minimum Default = 0, Maximum Default = 48.



Code 39 Append

This function allows the scanner to append the data from several Code 39 bar codes together before transmitting them to the host computer. When the scanner encounters a Code 39 bar code with the append trigger character(s), it buffers Code 39 bar codes until it reads a Code 39 bar code that does not have the append trigger. The data is then transmitted in the order in which the bar codes were read (FIFO). *Default = Off.*



C39APP1.

On



C39APP0.

* Off

Code 32 Pharmaceutical (PARAF)

Code 32 Pharmaceutical is a form of the Code 39 symbology used by Italian pharmacies. This symbology is also known as PARAF.

Note: *Trioptic Code (page 212) must be turned off while scanning Code 32 Pharmaceutical codes.*



C39B321.

On



C39B320.

* Off

Full ASCII

If Full ASCII Code 39 decoding is enabled, certain character pairs within the bar code symbol will be interpreted as a single character. For example: \$V will be decoded as the ASCII character SYN, and /C will be decoded as the ASCII character #. *Default = Off.*

Full ASCII Table													
NUL %U	DLE \$P	SP	SPACE	0	0	@	%V	P	P	.	%W	p	+P
SOH \$A	DC1 \$Q	!	/A	1	1	A	A	Q	Q	a	+A	q	+Q
STX \$B	DC2 \$R	"	/B	2	2	B	B	R	R	b	+B	r	+R
ETX \$C	DC3 \$S	#	/C	3	3	C	C	S	S	c	+C	s	+S
EOT \$D	DC4 \$T	\$	/D	4	4	D	D	T	T	d	+D	t	+T
ENQ \$E	NAK \$U	%	/E	5	5	E	E	U	U	e	+E	u	+U
ACK \$F	SYN \$V	&	/F	6	6	F	F	V	V	f	+F	v	+V

Full ASCII Table (Continued)													
BEL \$G	ETB \$W	.	/G	7	7	G	G	W	W	g	+G	w	+W
BS \$H	CAN \$X	(/H	8	8	H	H	X	X	h	+H	x	+X
HT \$I	EM \$Y)	/I	9	9	I	I	Y	Y	i	+I	y	+Y
LF \$J	SUB \$Z	*	/J	:	/Z	J	J	Z	Z	j	+J	z	+Z
VT \$K	ESC %A	+	/K	;	%F	K	K	[%K	k	+K	{	%P
FF \$L	FS %B	,	/L	<	%G	L	L	\	%L	l	+L		%Q
CR \$M	GS %C	-	-	=	%H	M	M]	%M	m	+M	}	%R
SO \$N	RS %D	.	.	>	%I	N	N	^	%N	n	+N	~	%S
SI \$O	US %E	/	/O	?	%J	O	O	_	%O	o	+O	DEL	%T

Character pairs /M and /N decode as a minus sign and period respectively.
 Character pairs /P through /Y decode as 0 through 9.



C39ASCII.
Full ASCII On



C39ASCII.
* Full ASCII Off

Code 39 Code Page

Code pages define the mapping of character codes to characters. If the data received does not display with the proper characters, it may be because the bar code being scanned was created using a code page that is different from the one the host program is expecting. If this is the case, scan the bar code below, select the code page with which the bar codes were created (see [ISO 2022/ISO 646 Character Replacements](#) on page 334), and scan the value and the **Save** bar code from the [Programming Chart](#), beginning on page 341. The data characters should then appear properly.



C39DCP.
Code 39 Code Page

Interleaved 2 of 5

< Default All Interleaved 2 of 5 Settings >



Interleaved 2 of 5 On/Off



Check Digit

No Check Digit indicates that the scanner reads and transmits bar code data with or without a check digit.

When Check Digit is set to **Validate, but Don't Transmit**, the unit only reads Interleaved 2 of 5 bar codes printed with a check digit, but will not transmit the check digit with the scanned data.

When Check Digit is set to **Validate and Transmit**, the scanner only reads Interleaved 2 of 5 bar codes printed with a check digit, and will transmit this digit at the end of the scanned data. *Default = No Check Digit.*



Interleaved 2 of 5 Message Length

Scan the bar codes below to change the message length. Refer to [Message Length Description](#) (page 178) for additional information. Minimum and Maximum lengths = 2-80. Minimum Default = 6, Maximum Default = 80.



I25MIN.

Minimum Message Length



I25MAX.

Maximum Message Length

NEC 2 of 5

< Default All NEC 2 of 5 Settings >



N25DFT.

NEC 2 of 5 On/Off



N25ENA1.

*** On**



N25ENA0.

Off

Check Digit

No Check Digit indicates that the scanner reads and transmits bar code data with or without a check digit.

When Check Digit is set to **Validate, but Don't Transmit**, the unit only reads NEC 2 of 5 bar codes printed with a check digit, but will not transmit the check digit with the scanned data.

When Check Digit is set to **Validate and Transmit**, the scanner only reads NEC 2 of 5 bar codes printed with a check digit, and will transmit this digit at the end of the scanned data. *Default = No Check Digit.*



NEC 2 of 5 Message Length

Scan the bar codes below to change the message length. Refer to [Message Length Description](#) (page 178) for additional information. Minimum and Maximum lengths = 2-80. Minimum Default = 4, Maximum Default = 80.



Code 93

< *Default All Code 93 Settings* >



Code 93 On/Off





Code 93 Message Length

Scan the bar codes below to change the message length. Refer to [Message Length Description](#) (page 178) for additional information. Minimum and Maximum lengths = 0-80. Minimum Default = 0, Maximum Default = 80.



Code 93 Append

This function allows the scanner to append the data from several Code 93 bar codes together before transmitting them to the host computer. When this function is enabled, the scanner stores those Code 93 bar codes that start with a space (excluding the start and stop symbols), and does not immediately transmit the data. The scanner stores the data in the order in which the bar codes are read, deleting the first space from each. The scanner transmits the appended data when it reads a Code 93 bar code that starts with a character other than a space.
Default = Off.



Code 93 Code Page

Code pages define the mapping of character codes to characters. If the data received does not display with the proper characters, it may be because the bar code being scanned was created using a code page that is different from the one the host program is expecting. If this is the case, scan the bar code below, select the code page with which the bar codes were created (see [ISO 2022/ISO 646](#)

Character Replacements on page 334), and scan the value and the **Save** bar code from the [Programming Chart](#), beginning on page 341. The data characters should then appear properly.



C93DCP.
Code 93 Code Page

Straight 2 of 5 Industrial (three-bar start/stop)

<Default All Straight 2 of 5 Industrial Settings>



R25DFT.

Straight 2 of 5 Industrial On/Off



R25ENA1.
On



R25ENA0.
*** Off**

Straight 2 of 5 Industrial Message Length

Scan the bar codes below to change the message length. Refer to [Message Length Description](#) (page 178) for additional information. Minimum and Maximum lengths = 1-48. Minimum Default = 4, Maximum Default = 48.



R25MIN.
Minimum Message Length



R25MAX.
Maximum Message Length

Straight 2 of 5 IATA (two-bar start/stop)

<Default All Straight 2 of 5 IATA Settings>



Straight 2 of 5 IATA On/Off



Straight 2 of 5 IATA Redundancy

If you are encountering errors when reading Straight 2 of 5 IATA bar codes, you may want to adjust the redundancy count. Redundancy adjusts the number of times a bar code is decoded before transmission, which may reduce the number of errors. Note that the higher the redundancy count, the longer it will take to decode the bar code. To adjust the redundancy, scan the Straight 2 of 5 IATA Redundancy bar code below, then scan a redundancy count between 0 and 10 on the [Programming Chart](#), beginning on page 341. Then scan the **Save** bar code. *Default = 0.*



Straight 2 of 5 IATA Message Length

Scan the bar codes below to change the message length. Refer to [Message Length Description](#) (page 178) for additional information. Minimum and Maximum lengths = 1-48. Minimum Default = 4, Maximum Default = 48.



Matrix 2 of 5

<Default All Matrix 2 of 5 Settings>



Matrix 2 of 5 On/Off



Matrix 2 of 5 Message Length

Scan the bar codes below to change the message length. Refer to [Message Length Description](#) (page 178) for additional information. Minimum and Maximum lengths = 1-80. Minimum Default = 4, Maximum Default = 80.



Code 11

<Default All Code 11 Settings>



Code 11 On/Off



Check Digits Required

This option sets whether 1 or 2 check digits are required with Code 11 bar codes.
Default = Two Check Digits.



Code 11 Message Length

Scan the bar codes below to change the message length. Refer to [Message Length Description](#) (page 178) for additional information. Minimum and Maximum lengths = 1-80. Minimum Default = 4, Maximum Default = 80.



Code 128

<Default All Code 128 Settings>



Code 128 On/Off



If you are reading Code 128 bar codes, Codablock F should remain disabled. If you are enabling Codablock F (see [Codablock F](#) on page 214), you should disable Code 128.

ISBT 128 Concatenation

In 1994 the International Society of Blood Transfusion (ISBT) ratified a standard for communicating critical blood information in a uniform manner. The use of ISBT formats requires a paid license. The ISBT 128 Application Specification describes 1) the critical data elements for labeling blood products, 2) the current recommendation to use Code 128 due to its high degree of security and its space-efficient design, 3) a variation of Code 128 that supports concatenation of neighboring symbols, and 4) the standard layout for bar codes on a blood product label. Use the bar codes below to turn concatenation on or off. *Default =Off.*



Code 128 Redundancy

If you are encountering errors when reading Code 128 bar codes, you may want to adjust the redundancy count. Redundancy adjusts the number of times a bar code is decoded before transmission, which may reduce the number of errors. Note that

the higher the redundancy count, the longer it will take to decode the bar code. To adjust the redundancy, scan the Code 128 Redundancy bar code below, then scan a redundancy count between 0 and 10 on the [Programming Chart](#), beginning on page 341. Then scan the **Save** bar code. *Default = 0.*



128VOT.

Code 128 Redundancy

Code 128 Message Length

Scan the bar codes below to change the message length. Refer to [Message Length Description](#) (page 178) for additional information. Minimum and Maximum lengths = 0-80. Minimum Default = 0, Maximum Default = 80.



128MIN.

Minimum Message Length



128MAX.

Maximum Message Length

Code 128 Append

This function allows the scanner to append the data from several Code 128 bar codes together before transmitting them to the host computer. When the scanner encounters a Code 128 bar code with the append trigger character(s), it buffers Code 128 bar codes until it reads a Code 128 bar code that does not have the append trigger. The data is then transmitted in the order in which the bar codes were read (FIFO). *Default = Off.*



128APP1.

On



128APP0.

*** Off**

Code 128 Code Page

Code pages define the mapping of character codes to characters. If the data received does not display with the proper characters, it may be because the bar code being scanned was created using a code page that is different from the one the host program is expecting. If this is the case, scan the bar code below, select the code page with which the bar codes were created (see [ISO 2022/ISO 646](#)

Character Replacements on page 334), and scan the value and the **Save** bar code from the [Programming Chart](#), beginning on page 341. The data characters should then appear properly.



128DCP.

Code 128 Code Page

GS1-128

<Default All GS1-128 Settings>



GS1DFT.

GS1-128 On/Off



GS1ENA1.

*** On**



GS1ENA0.

Off

GS1-128 Message Length

Scan the bar codes below to change the message length. Refer to [Message Length Description](#) (page 178) for additional information. Minimum and Maximum lengths = 1-80. Minimum Default = 1, Maximum Default = 80.



GS1MIN.

Minimum Message Length



GS1MAX.

Maximum Message Length

Telepen

<Default All Telepen Settings>



Telepen On/Off



Telepen Output

Using **AIM Telepen Output**, the scanner reads symbols with start/stop pattern 1 and decodes them as standard full ASCII (start/stop pattern 1). When **Original Telepen Output** is selected, the scanner reads symbols with start/stop pattern 1 and decodes them as compressed numeric with optional full ASCII (start/stop pattern 2). *Default = AIM Telepen Output.*



Telepen Message Length

Scan the bar codes below to change the message length. Refer to [Message Length Description](#) (page 178) for additional information. Minimum and Maximum lengths = 1-60. Minimum Default = 1, Maximum Default = 60.



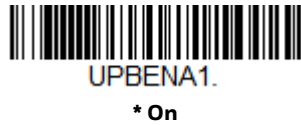


UPC-A

<Default All UPC-A Settings>



UPC-A On/Off



Note: To convert UPC-A bar codes to EAN-13, see [Convert UPC-A to EAN-13](#) on page 204.

UPC-A Check Digit

This selection allows you to specify whether the check digit should be transmitted at the end of the scanned data or not. *Default = On.*



UPC-A Number System

The numeric system digit of a U.P.C. symbol is normally transmitted at the beginning of the scanned data, but the unit can be programmed so it will not transmit it (**Off**). *Default = On.*



UPC-A Addenda

This selection adds 2 or 5 digits to the end of all scanned UPC-A data.
Default = Off for both 2 Digit and 5 Digit Addenda.



UPC-A Addenda Required

When **Required** is scanned, the scanner will only read UPC-A bar codes that have addenda. You must then turn on a 2 or 5 digit addenda listed on [page 198](#).
Default = Not Required.





UPAARQ0.
* Not Required

Addenda Timeout

You can set a time during which the scanner looks for an addenda. If an addenda is not found within this time period, the data can be either transmitted or discarded, based on the setting you are using for [UPC-A Addenda Required](#). Set the length (in milliseconds) for this timeout by scanning the bar code below, then setting the timeout (from 0-120 milliseconds) by scanning digits from the [Programming Chart](#), beginning on page 341 of this manual, then **Save**. *Default = 500.*

Note: *The Addenda Timeout setting is applied to all addenda and coupon code searches.*



DLYADD.
Addenda Timeout

UPC-A Addenda Separator

When this feature is **On**, there is a space between the data from the bar code and the data from the addenda. When turned **Off**, there is no space. *Default = On.*



UPAADS1.
* On



UPAADS0.
Off

UPC-A/EAN-13 with Extended Coupon Code

Use the following codes to enable or disable UPC-A and EAN-13 with Extended Coupon Code. When left on the default setting (**Off**), the scanner treats Coupon Codes and Extended Coupon Codes as single bar codes.

If you scan the **Allow Concatenation** code, when the scanner sees the coupon code and the extended coupon code in a single scan, it transmits both as one symbologies. Otherwise, it transmits the first coupon code it reads.

If you scan the **Require Concatenation** code, the scanner must see and read the coupon code and extended coupon code in a single read to transmit the data. No data is output unless both codes are read. *Default = Off.*



Addenda Timeout

You can set a time during which the scanner looks for an addenda. If an addenda is not found within this time period, the data can be either transmitted or discarded, based on the setting you are using for [UPC-A/EAN-13 with Extended Coupon Code](#). Set the length (in milliseconds) for this timeout by scanning the bar code below, then setting the timeout (from 0-120 milliseconds) by scanning digits from the [Programming Chart](#), beginning on page 341 of this manual, then **Save**. *Default = 500.*

Note: *The Addenda Timeout setting is applied to all addenda and coupon code searches.*



Coupon GS1 DataBar Output

If you scan coupons that have both UPC and GS1 DataBar codes, you may wish to scan and output only the data from the GS1 DataBar code. Scan the **GS1 Output On** code below to scan and output only the GS1 DataBar code data. *Default = GS1 Output Off.*



UPC-E0

<Default All UPC-E Settings>



UPC-E0 On/Off

Most U.P.C. bar codes lead with the 0 number system. To read these codes, use the **UPC-E0 On** selection. If you need to read codes that lead with the 1 number system, use **UPC-E1** (page 203). *Default = On.*



UPC-E0 Expand

UPC-E Expand expands the UPC-E code to the 12 digit, UPC-A format. *Default = Off.*



UPC-E0 Addenda Required

When **Required** is scanned, the scanner will only read UPC-E bar codes that have addenda. *Default = Not Required.*



Addenda Timeout

You can set a time during which the scanner looks for an addenda. If an addenda is not found within this time period, the data can be either transmitted or discarded, based on the setting you are using for [UPC-E0 Addenda Required](#). Set the length (in milliseconds) for this timeout by scanning the bar code below, then setting the timeout (from 0-120 milliseconds) by scanning digits from the [Programming Chart](#), beginning on page 341 of this manual, then **Save**. *Default = 500.*

Note: *The Addenda Timeout setting is applied to all addenda and coupon code searches.*



DLYADD.

Addenda Timeout

UPC-E0 Addenda Separator

When this feature is **On**, there is a space between the data from the bar code and the data from the addenda. When turned **Off**, there is no space. *Default = On.*



UPEADS1.

*** On**



UPEADS0.

Off

UPC-E0 Check Digit

Check Digit specifies whether the check digit should be transmitted at the end of the scanned data or not. *Default = On.*



UPECKX1.

*** On**



UPECKX0.

Off

UPC-E0 Leading Zero

This feature allows the transmission of a leading zero (0) at the beginning of scanned data. To prevent transmission, scan **Off**. *Default = On*.



UPENSX1.

*** On**



UPENSX0.

Off

UPC-E0 Addenda

This selection adds 2 or 5 digits to the end of all scanned UPC-E data. *Default = Off for both 2 Digit and 5 Digit Addenda*.



UPEAD21.

2 Digit Addenda On



UPEAD20.

*** 2 Digit Addenda Off**



UPEAD51.

5 Digit Addenda On



UPEAD50.

*** 5 Digit Addenda Off**

UPC-E1

Most U.P.C. bar codes lead with the 0 number system. For these codes, use [UPC-E0](#) (page 201). If you need to read codes that lead with the 1 number system, use the **UPC-E1 On** selection. *Default = Off*.



UPEEN11.

UPC-E1 On



EAN/JAN-13

<Default All EAN/JAN Settings>



EAN/JAN-13 On/Off



Convert UPC-A to EAN-13

When **UPC-A Converted to EAN-13** is selected, UPC-A bar codes are converted to 13 digit EAN-13 codes by adding a zero to the front. When **Do not Convert UPC-A** is selected, UPC-A codes are read as UPC-A.



EAN/JAN-13 Check Digit

This selection allows you to specify whether the check digit should be transmitted at the end of the scanned data or not. *Default = On.*



E13CKX1.

*** On**



E13CKX0.

Off

EAN/JAN-13 Addenda

This selection adds 2 or 5 digits to the end of all scanned EAN/JAN-13 data. *Default = Off for both 2 Digit and 5 Digit Addenda.*



E13AD21.

2 Digit Addenda On



E13AD20.

*** 2 Digit Addenda Off**



E13AD51.

5 Digit Addenda On



E13AD50.

*** 5 Digit Addenda Off**

EAN/JAN-13 Addenda Required

When **Required** is scanned, the scanner will only read EAN/JAN-13 bar codes that have addenda. *Default = Not Required.*



E13ARQ1.

Required



E13ARQ0.

*** Not Required**

Addenda Timeout

You can set a time during which the scanner looks for an addenda. If an addenda is not found within this time period, the data can be either transmitted or discarded, based on the setting you are using for [UPC-E0 Addenda Required](#). Set the length (in milliseconds) for this timeout by scanning the bar code below, then setting the timeout (from 0-120 milliseconds) by scanning digits from the [Programming Chart](#), beginning on page 341 of this manual, then **Save**. *Default = 500.*

Note: *The Addenda Timeout setting is applied to all addenda and coupon code searches.*



DLYADD.

Addenda Timeout

EAN/JAN-13 Addenda Separator

When this feature is On, there is a space between the data from the bar code and the data from the addenda. When turned Off, there is no space. *Default = On.*



E13ADS1.

*** On**



E13ADS0.

Off

Note: *If you want to enable or disable EAN13 with Extended Coupon Code, refer to [UPC-A/ EAN-13 with Extended Coupon Code](#) (page 199).*

ISBN Translate

When On is scanned, EAN-13 Bookland symbols are translated into their equivalent ISBN number format. *Default = Off.*



E13ISB1.

On



E13ISB0.

*** Off**

EAN/JAN-8

<Default All EAN/JAN-8 Settings>



EAN/JAN-8 On/Off



EAN/JAN-8 Check Digit

This selection allows you to specify whether the check digit should be transmitted at the end of the scanned data or not. *Default = On.*



EAN/JAN-8 Addenda

This selection adds 2 or 5 digits to the end of all scanned EAN/JAN-8 data. *Default = Off for both 2 Digit and 5 Digit Addenda.*





EABAD51.
5 Digit Addenda On



EABAD50.
* 5 Digit Addenda Off

EAN/JAN-8 Addenda Required

When **Required** is scanned, the scanner will only read EAN/JAN-8 bar codes that have addenda. *Default = Not Required.*



EABARQ1.
Required



EABARQ0.
* **Not Required**

Addenda Timeout

You can set a time during which the scanner looks for an addenda. If an addenda is not found within this time period, the data can be either transmitted or discarded, based on the setting you are using for [UPC-E0 Addenda Required](#). Set the length (in milliseconds) for this timeout by scanning the bar code below, then setting the timeout (from 0-120 milliseconds) by scanning digits from the [Programming Chart](#), beginning on page 341 of this manual, then **Save**. *Default = 500.*

Note: *The Addenda Timeout setting is applied to all addenda and coupon code searches.*



DLYADD.
Addenda Timeout

EAN/JAN-8 Addenda Separator

When this feature is On, there is a space between the data from the bar code and the data from the addenda. When turned Off, there is no space. *Default = On.*



EABADS1.
* **On**



MSI

<Default All MSI Settings>



MSI On/Off



MSI Check Character

Different types of check characters are used with MSI bar codes. You can program the scanner to read MSI bar codes with Type 10 check characters.

Default = Validate Type 10, but Don't Transmit.

When Check Character is set to **Validate Type 10/11 and Transmit**, the scanner will only read MSI bar codes printed with the specified type check character(s), and will transmit the character(s) at the end of the scanned data.

When Check Character is set to **Validate Type 10/11, but Don't Transmit**, the unit will only read MSI bar codes printed with the specified type check character(s), but will not transmit the check character(s) with the scanned data.



*** Validate Type 10, but Don't Transmit**



Validate Type 10 and Transmit



MSI Message Length

Scan the bar codes below to change the message length. Refer to [Message Length Description](#) (page 178) for additional information. Minimum and Maximum lengths = 4-48. Minimum Default = 4, Maximum Default = 48.



GS1 DataBar Omnidirectional

< Default All GS1 DataBar Omnidirectional Settings >



GS1 DataBar Omnidirectional On/Off



GS1 DataBar Limited

< Default All GS1 DataBar Limited Settings >



GS1 DataBar Limited On/Off



GS1 DataBar Expanded

< Default All GS1 DataBar Expanded Settings >



GS1 DataBar Expanded On/Off



GS1 DataBar Expanded Message Length

Scan the bar codes below to change the message length. Refer to [Message Length Description](#) (page 178) for additional information. Minimum and Maximum lengths = 4-74. Minimum Default = 4, Maximum Default = 74.



Trioptic Code

Note: If you are going to scan Code 32 Pharmaceutical codes ([page 183](#)), Trioptic Code must be off.

Trioptic Code is used for labeling magnetic storage media.



Codablock A

<Default All Codablock A Settings>



Codablock A On/Off



If you are reading Code 39 bar codes, Codablock A should remain disabled. If you are enabling Codablock A, you should disable Code 39 (see [Code 39](#) on page 181).

Codablock A Message Length

Scan the bar codes below to change the message length. Refer to [Message Length Description](#) (page 178) for additional information. Minimum and Maximum lengths = 1-600. Minimum Default = 1, Maximum Default = 600.



Codablock F

<Default All Codablock F Settings>



Codablock F On/Off



If you are reading Code 128 bar codes, Codablock F should remain disabled. If you are enabling Codablock F, you should disable Code 128 (see [Code 128](#) on page 193).

Codablock F Message Length

Scan the bar codes below to change the message length. Refer to [Message Length Description](#) (page 178) for additional information. Minimum and Maximum lengths = 1-2048. Minimum Default = 1, Maximum Default = 2048.



Label Code

The standard Label Code is used in libraries. *Default = Off.*





LBLENA0.

***Off**

PDF417

< Default All PDF417 Settings >



PDFDFT.

PDF417 On/Off



PDFENA1.

*** On**



PDFENA0.

Off

PDF417 Message Length

Scan the bar codes below to change the message length. Refer to [Message Length Description](#) (page 178) for additional information. Minimum and Maximum lengths = 1-2750. Minimum Default = 1, Maximum Default = 2750.



PDFMIN.

Minimum Message Length



PDFMAX.

Maximum Message Length

MacroPDF417

MacroPDF417 is an implementation of PDF417 capable of encoding very large amounts of data into multiple PDF417 bar codes. When this selection is enabled, these multiple bar codes are assembled into a single data string. *Default = On.*



PDFMAC1.

*** On**



PDFMAC0.

Off

MicroPDF417

< *Default All MicroPDF417 Settings* >



MPDDFT.

MicroPDF417 On/Off



MPDENA1.

On



MPDENA0.

*** Off**

MicroPDF417 Message Length

Scan the bar codes below to change the message length. Refer to [Message Length Description](#) (page 178) for additional information. Minimum and Maximum lengths = 1-366. Minimum Default = 1, Maximum Default = 366.



MPDMIN.

Minimum Message Length



GS1 Composite Codes

Linear codes are combined with a unique 2D composite component to form a new class called GS1 Composite symbology. GS1 Composite symbologies allow for the co-existence of symbologies already in use. *Default = Off.*



UPC/EAN Version

Scan the **UPC/EAN Version On** bar code to decode GS1 Composite symbols that have a U.P.C. or an EAN linear component. (This does not affect GS1 Composite symbols with a GS1-128 or GS1 linear component.) *Default = UPC/EAN Version Off.*



Note: *If you scan coupons that have both UPC and GS1 DataBar codes, you may wish to scan and output only the data from the GS1 DataBar code. See [Coupon GS1 DataBar Output](#) (page 200) for further information.*

GS1 Composite Code Message Length

Scan the bar codes below to change the message length. Refer to [Message Length Description](#) (page 178) for additional information. Minimum and Maximum lengths = 1-2435. Minimum Default = 1, Maximum Default = 2435.



GS1 Emulation

The scanner can automatically format the output from any GS1 data carrier to emulate what would be encoded in an equivalent GS1-128 or GS1 DataBar symbol. GS1 data carriers include UPC-A and UPC-E, EAN-13 and EAN-8, ITF-14, GS1-128, and GS1-128 DataBar and GS1 Composites. (Any application that accepts GS1 data can be simplified since it only needs to recognize one data carrier type.)

If **GS1-128 Emulation** is scanned, all retail codes (U.P.C., UPC-E, EAN8, EAN13) are expanded out to 16 digits. If the **AIM ID** is enabled, the value will be the GS1-128 AIM ID,]C1 (see [Symbology Charts](#) on page 327).

If **GS1 DataBar Emulation** is scanned, all retail codes (U.P.C., UPC-E, EAN8, EAN13) are expanded out to 16 digits. If the AIM ID is enabled, the value will be the GS1-DataBar AIM ID,]em (see [Symbology Charts](#) on page 327).

If **GS1 Code Expansion Off** is scanned, retail code expansion is disabled, and UPC-E expansion is controlled by the [UPC-E0 Expand](#) (page 201) setting. If the AIM ID is enabled, the value will be the GS1-128 AIM ID,]C1 (see [Symbology Charts](#) on page 327).

If **EAN8 to EAN13 Conversion** is scanned, all EAN8 bar codes are converted to EAN13 format.

Default = GS1 Emulation Off.



EANEMU1.
GS1-128 Emulation



EANEMU2.
GS1 DataBar Emulation



EANEMU3.
GS1 Code Expansion Off



EANEMU4.
EAN8 to EAN13 Conversion



EANEMU0.
*** GS1 Emulation Off**

TCIF Linked Code 39 (TLC39)

This code is a composite code since it has a Code 39 linear component and a MicroPDF417 stacked code component. All bar code readers are capable of reading the Code 39 linear component. The MicroPDF417 component can only be decoded if TLC39 **On** is selected. The linear component may be decoded as Code 39 even if TLC39 is off. *Default = Off.*



QR Code

< Default All QR Code Settings >



QR Code On/Off

This selection applies to both QR Code and Micro QR Code.



QR Code Message Length

Scan the bar codes below to change the message length. Refer to [Message Length Description](#) (page 178) for additional information. Minimum and Maximum lengths = 1-7089. Minimum Default = 1, Maximum Default = 7089.





QR Code Append

This function allows the scanner to append the data from several QR Code bar codes together before transmitting them to the host computer. When the scanner encounters an QR Code bar code with the append trigger character(s), it buffers the number of QR Code bar codes determined by information encoded in those bar codes. Once the proper number of codes is reached, the data is output in the order specified in the bar codes. *Default = On.*



QR Code Page

QR Code pages define the mapping of character codes to characters. If the data received does not display with the proper characters, it may be because the bar code being scanned was created using a code page that is different from the one the host program is expecting. If this is the case, scan the bar code below, select the code page with which the bar codes were created (see [ISO 2022/ISO 646 Character Replacements](#) on page 334), and scan the value and the **Save** bar code from the [Programming Chart](#), beginning on page 341. The data characters should then appear properly.



Data Matrix

< Default All Data Matrix Settings >



Data Matrix On/Off



Data Matrix Message Length

Scan the bar codes below to change the message length. Refer to [Message Length Description](#) (page 178) for additional information. Minimum and Maximum lengths = 1-3116. Minimum Default = 1, Maximum Default = 3116.



Data Matrix Append

This function allows the scanner to append the data from several Data Matrix bar codes together before transmitting them to the host computer. When the scanner encounters an Data Matrix bar code with the append trigger character(s), it buffers the number of Data Matrix bar codes determined by information encoded in those bar codes. Once the proper number of codes is reached, the data is output in the order specified in the bar codes. *Default = On.*





Data Matrix Code Page

Data Matrix Code pages define the mapping of character codes to characters. If the data received does not display with the proper characters, it may be because the bar code being scanned was created using a code page that is different from the one the host program is expecting. If this is the case, scan the bar code below, select the code page with which the bar codes were created (see [ISO 2022/ISO 646 Character Replacements](#) on page 334), and scan the value and the **Save** bar code from the [Programming Chart](#), beginning on page 341. The data characters should then appear properly.



MaxiCode

< Default All MaxiCode Settings >



MaxiCode On/Off



MaxiCode Message Length

Scan the bar codes below to change the message length. Refer to [Message Length Description](#) (page 178) for additional information. Minimum and Maximum lengths = 1-150. Minimum Default = 1, Maximum Default = 150.



Aztec Code

< Default All Aztec Code Settings >



Aztec Code On/Off



Aztec Code Message Length

Scan the bar codes below to change the message length. Refer to [Message Length Description](#) (page 178) for additional information. Minimum and Maximum lengths = 1-3832. Minimum Default = 1, Maximum Default = 3832.



Aztec Append

This function allows the scanner to append the data from several Aztec bar codes together before transmitting them to the host computer. When the scanner encounters an Aztec bar code with the append trigger character(s), it buffers the number of Aztec bar codes determined by information encoded in those bar codes. Once the proper number of codes is reached, the data is output in the order specified in the bar codes. *Default = On.*



Aztec Code Page

Aztec Code pages define the mapping of character codes to characters. If the data received does not display with the proper characters, it may be because the bar code being scanned was created using a code page that is different from the one the host program is expecting. If this is the case, scan the bar code below, select the code page with which the bar codes were created (see [ISO 2022/ISO 646 Character Replacements](#) on page 334), and scan the value and the **Save** bar code from the [Programming Chart](#), beginning on page 341. The data characters should then appear properly.



Chinese Sensible (Han Xin) Code

< Default All Han Xin Settings >



Han Xin Code On/Off





HX_ENAD.

* Off

Han Xin Code Message Length

Scan the bar codes below to change the message length. Refer to [Message Length Description](#) (page 178) for additional information. Minimum and Maximum lengths = 1-7833. Minimum Default = 1, Maximum Default = 7833.



HX_MIN.

Minimum Message Length



HX_MAX.

Maximum Message Length

Postal Codes - 2D

The following lists the possible 2D postal codes, and 2D postal code combinations that are allowed. Only one 2D postal code selection can be active at a time. If you scan a second 2D postal code selection, the first selection is overwritten.
Default = 2D Postal Codes Off.



POSTAL0.

*** 2D Postal Codes Off**

Single 2D Postal Codes:



POSTAL1.

Australian Post On



POSTAL7.

British Post On



POSTAL30.

Canadian Post On



POSTAL3.
Japanese Post On



POSTAL5.
Planet Code On

Also see [Planet Code Check Digit](#), page 229.



POSTAL6.
Postnet On

Also see [Postnet Check Digit](#), page 229.



POSTAL2.
InfoMail On



POSTAL10.
Intelligent Mail Bar Code On



POSTAL4.
KIX Post On



POSTAL9.
Postal-4i On



POSTAL11.
Postnet with B and B' Fields On

Combination 2D Postal Codes:



POSTAL8.
InfoMail and British Post On



POSTAL14.
Postnet and
Postal-4i On



POSTAL17.
Postal-4i and
Intelligent Mail Bar Code On



POSTAL12.
Planet Code and
Postnet On



POSTAL13.
Planet Code and
Postal-4i On



POSTAL21.
Planet Code,
Postnet, and
Postal-4i On



POSTAL20.
Intelligent Mail Bar Code and
Postnet with B and B' Fields On



POSTAL16.
Postnet and
Intelligent Mail Bar Code On



POSTAL19.
Postal-4i and
Postnet with B and B' Fields On



POSTAL18.
Planet Code and
Postnet with B and B' Fields On



POSTAL15.
Planet Code and
Intelligent Mail Bar Code



POSTAL23.
Planet Code,
Postal-4i, and
Intelligent Mail Bar Code On



POSTAL25.
Planet Code,
Postal-4i, and
Postnet with B and B' Fields On



POSTAL27.
Postal-4i,
Intelligent Mail Bar Code, and
Postnet with B and B' Fields On



POSTAL29.
Planet Code,
Postal-4i,
Intelligent Mail Bar Code, and
Postnet with B and B' Fields On



POSTAL22.
Planet Code,
Postnet, and
Intelligent Mail Bar Code On



POSTAL24.
Postnet,
Postal-4i, and
Intelligent Mail Bar Code On



POSTAL26.
Planet Code,
Intelligent Mail Bar Code, and
Postnet with B and B' Fields On



POSTAL28.
Planet Code,
Postal-4i,
Intelligent Mail Bar Code, and
Postnet On

Planet Code Check Digit

This selection allows you to specify whether the check digit should be transmitted at the end of Planet Code data. *Default = Don't Transmit.*



PLNCKX1.
Transmit Check Digit



PLNCKX0.
*** Don't Transmit Check Digit**

Postnet Check Digit

This selection allows you to specify whether the check digit should be transmitted at the end of Postnet data. *Default = Don't Transmit.*



NETCKX1.
Transmit Check Digit



NETCKX0.
*** Don't Transmit Check Digit**

Australian Post Interpretation

This option controls what interpretation is applied to customer fields in Australian 4-State symbols.

Bar Output lists the bar patterns in "0123" format.

Numeric N Table causes that field to be interpreted as numeric data using the N Table.

Alphanumeric C Table causes the field to be interpreted as alphanumeric data using the C Table. Refer to the Australian Post Specification Tables.

Combination C and N Tables causes the field to be interpreted using either the C or N Tables.



AUSINT0.
*** Bar Output**



AUSINT2.

Alphanumeric C Table



AUSINT1.

Numeric N Table



AUSINT3.

Combination C and N Tables

Postal Codes - Linear

The following lists linear postal codes. Any combination of linear postal code selections can be active at a time.

China Post (Hong Kong 2 of 5)

<Default All China Post (Hong Kong 2 of 5) Settings>



CPCDFT.

China Post (Hong Kong 2 of 5) On/Off



CPCENA1.

On



CPCENAD.

*** Off**

China Post (Hong Kong 2 of 5) Message Length

Scan the bar codes below to change the message length. Refer to [Message Length Description](#) (page 178) for additional information. Minimum and Maximum lengths = 2-80. Minimum Default = 4, Maximum Default = 80.



CPCMIN.

Minimum Message Length



Korea Post

<Default All Korea Post Settings>



Korea Post



Korea Post Message Length

Scan the bar codes below to change the message length. Refer to [Message Length Description](#) (page 178) for additional information. Minimum and Maximum lengths = 2-80. Minimum Default = 4, Maximum Default = 48.



Korea Post Check Digit

This selection allows you to specify whether the check digit should be transmitted or not. *Default = Don't Transmit.*





KPCCHKD.

*** Don't Transmit Check Digit**

IMAGING COMMANDS

The scanner is like a digital camera in the way it captures, manipulates, and transfers images. The following commands allow you to alter the way the scanner performs these functions.

Note: *If you are using the scanner in a stand, you must set the In-Stand Sensor Mode to Off in order to take images (see [In-Stand Sensor Mode](#) on page 122).*

Single-Use Basis

Imaging Commands with their modifiers send instructions to the scanner on a single-use basis, and take effect for a single image capture. Once that capture is complete, the scanner reverts to its imaging default settings. If you want to permanently change a setting, you must use the serial default commands (see [Chapter 12](#)). When the serial default command is used, that selection becomes the new, permanent setting for the scanner.

Command Syntax

Multiple modifiers and commands can be issued within one sequence. If additional modifiers are to be applied to the same command, just add the modifiers to that command. For example, to add 2 modifiers to the Image Snap command, such as setting the Imaging Style to 1P and the Wait for Trigger to 1T, you would enter **IMGSNP1P1T**.

Note: *After processing an image capture command (IMGSNP or IMGBOX), you must follow it with an IMGSHIP command if you want to see it on your terminal.*

To add a command to a sequence, each new command is separated with a semicolon. For example, to add the Image Ship command to the above sequence, you would enter IMGSNP1P1T;IMGSHIP.

The imaging commands are:

[Image Snap - IMGSNP](#) (page 234)

[Image Ship - IMGSHIP](#) (page 237)

[Intelligent Signature Capture - IMGBOX](#) (page 247)

The modifiers for each of these commands follow the command description.

Note: *The images included with each command description are examples only. The results you achieve may be different from those included in this manual. The quality of the output you receive will vary depending on lighting, quality of the initial image/object being captured, and distance of the scanner from the image/object. To achieve a high quality image, it is recommended that you position your scanner 4-6" (10.2-15.2 cm) away from the image/object you are capturing.*

Step 1 - Take a Picture Using IMGSNP

Image Snap - IMGSNP

An image is taken whenever the hardware trigger is pressed, or when the Image Snap (IMGSNP) command is processed.

The image snap command has many different modifiers that can be used to change the look of the image in memory. Any number of modifiers may be appended to the IMGSNP command.

Example: You can use the following command to snap an image, increase the gain, and have the beeper sound once the snap is complete: **IMGSNP2G1B**

IMGSNP Modifiers

P - Imaging Style

This sets the Image Snap style.

- 0P **Decoding Style.** This processing allows a few frames to be taken until the exposure parameters are met. The last frame is then available for further use.
- 1P **Photo Style (default).** This mimics a simple digital camera, and results in a visually optimized image.
- 2P **Manual Style.** This is an advanced style that should only be used by an experienced user. It allows you the most freedom to set up the scanner, and has no auto-exposure.

B - Beeper

Causes a beep to sound after an image is snapped.

- 0B No beep (*default*)
- 1B Sounds a beep when the image is captured.

T - Wait for Trigger

Waits for a hardware trigger press before taking the image. This is only available when using Photo Style (1P).

- 0T Takes image immediately (*default*)
- 1T Waits for a trigger press, then takes the image

L - LED State

Determines if the LEDs should be on or off, and when. Ambient illumination (0L) is preferred for taking pictures of color documents, such as ID cards, especially when the scanner is in a stand. LED illumination (1L) is preferred when the scanner is handheld. LED State is not available when using Decoding Style (0P).

- 0L LEDs off (*default*)
- 1L LEDs on

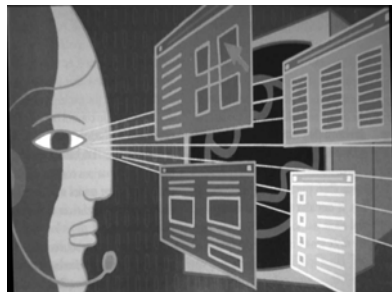
E - Exposure

Exposure is used in Manual Style only (2P), and allows you to set the exposure time. This is similar to setting a shutter speed on a camera. The exposure time determines how long the scanner takes to record an image. On a bright day, exposure times can be very short because plenty of light is available to help record an image. At nighttime, exposure time can increase dramatically due to the near absence of light. Units are 127 microseconds. (*Default = 7874*)

- nE Range: 1 - 7874

Example:

Exposure at 7874E with fluorescent lighting:



Exposure at 100E with fluorescent lighting:



G - Gain

Gain is used in Manual Style only (2P). Like a volume control, the gain modifier boosts the signal and multiplies the pixel value. As you increase the gain, the noise in an image is also amplified.

1G No gain (*default*)

2G Medium gain

4G Heavy gain

8G Maximum gain

Example:

Gain at 1G:



Gain at 4G:



Gain at 8G:



W - Target White Value

Sets the target for the median grayscale value in the captured image. For capturing close-up images of high contrast documents, a lower setting, such as 75, is recommended. Higher settings result in longer exposure times and brighter images, but if the setting is too high, the image may be overexposed. Target White Value is only available when using Photo Style (1P). (*Default = 125*)

nW Range: 0 - 255

Example:

White Value at 75W:



White Value at 125W:



White Value at 200W:



D - Delta for Acceptance

This sets the allowable range for the white value setting ([see W - Target White Value](#)). Delta is only available when using Photo Style (1P). (*Default = 25*)

nD Range: 0 - 255

U - Update Tries

This sets the maximum number of frames the scanner should take to reach the [D - Delta for Acceptance](#). Update Tries is only available when using Photo Style (1P). (Default = 6)

nU Range: 0 - 10

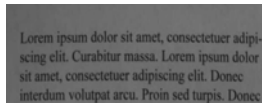
% - Target Set Point Percentage

Sets the target point for the light and dark values in the captured image. A setting of 75% means 75% of the pixels are at or below the target white value, and 25% of the pixels are above the target white value. Altering this setting from the default is not recommended under normal circumstances. To alter grayscale values, [W - Target White Value](#) should be used. (Default = 50)

n% Range: 1 - 99

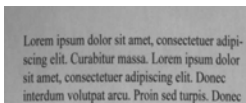
Example:

Target Set Point Percentage at 97%:



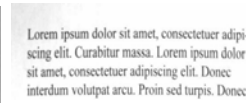
Lorem ipsum dolor sit amet, consectetur adipiscing elit. Curabitur massa. Lorem ipsum dolor sit amet, consectetur adipiscing elit. Donec interdum volutpat arcu. Proin sed turpis. Donec

Target Set Point Percentage at 50%:



Lorem ipsum dolor sit amet, consectetur adipiscing elit. Curabitur massa. Lorem ipsum dolor sit amet, consectetur adipiscing elit. Donec interdum volutpat arcu. Proin sed turpis. Donec

Target Set Point Percentage at 40%:



Lorem ipsum dolor sit amet, consectetur adipiscing elit. Curabitur massa. Lorem ipsum dolor sit amet, consectetur adipiscing elit. Donec interdum volutpat arcu. Proin sed turpis. Donec

Step 2 - Ship a Picture Using IMGSHIP

Image Ship - IMGSHIP

An image is taken whenever the trigger is pressed or when the Image Snap (IMGSNP) command is processed. The last image is always stored in memory. You can “ship” the image by using the IMGSHIP command.

The image ship commands have many different modifiers that can be used to change the look of the image output. Modifiers affect the image that is transmitted, but do not affect the image in memory. Any number of modifiers may be appended to the IMGSHIP command.

Example: You can use the following command to snap and ship a bitmap image with gamma correction and document image filtering: IMGSNP;IMGSHIP8F75K26U

IMGSHHP Modifiers

A - Infinity Filter

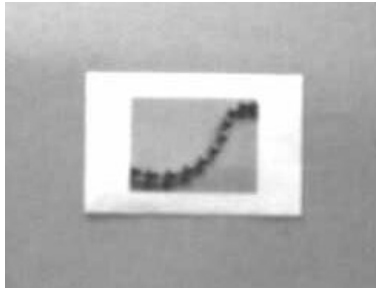
Enhances pictures taken from very long distances (greater than 10 feet or 3m). The Infinity Filter should not be used with [IMGSNP Modifiers](#) (page 234).

0A Infinity filter off (*default*)

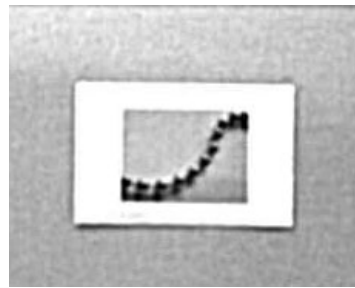
1A Infinity filter on

Example:

Infinity Filter off (0A)
from approximately 12 feet
(3.66m) away:



Infinity Filter on (1A)
from approximately 12 feet (3.66m)
away:



C - Compensation

Flattens the image to account for variations in illumination across the image.

0C Compensation disabled (*default*)

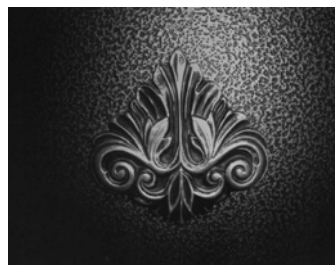
1C Compensation enabled

Example:

Compensation at 0C:



Compensation at 1C:



D - Pixel Depth

Indicates the number of bits per pixel in the transmitted image (KIM or BMP format only).

8D 8 bits per pixel, grayscale image (*default*)

1D 1 bit per pixel, black and white image

E - Edge Sharpen

An edge sharpen filter cleans up the edges of an image, making it look cleaner and sharper. While edge sharpening does make the image look cleaner, it also removes some fine detail from the original image. The strength of the edge sharpen filter can be entered from 1 to 24. Entering a **23E** gives the sharpest edges, but also increases noise in the image.

0E Don't sharpen image (*default*)

14E Apply edge sharpen for typical image

ne Apply edge sharpen using strength *n* ($n = 1-24$)

Example:

Edge Sharpen at 0E:



Edge Sharpen at 24E:



F - File Format

Indicates the desired format for the image.

- 0F KIM format
- 1F TIFF binary
- 2F TIFF binary group 4, compressed
- 3F TIFF grayscale
- 4F Uncompressed binary (upper left to lower right, 1 pixel/bit, 0 padded end of line)
- 5F Uncompressed grayscale (upper left to lower right, bitmap format)
- 6F JPEG image (*default*)
- 8F BMP format (lower right to upper left, uncompressed)
- 10F TIFF color compressed image
- 11F TIFF color uncompressed image
- 12F JPEG color image
- 14F BMP color format
- 15F BMP Uncompressed raw image

H - Histogram Stretch

Increases the contrast of the transmitted image. Not available with some image formats.

- 0H No stretch (*default*)
- 1H Histogram stretch

Example:

Histogram Stretch at 0H:



Histogram Stretch at 1H:



I - Invert Image

Invert image is used to rotate the image around the X or Y axis.

1ix Invert around the X axis (flips picture upside down)

1iy Invert around the Y axis (flips picture left to right)

Example:

Image not inverted:



Image with Invert Image set to 1ix:



Image with Invert Image set to 1iy:



IF- Noise Reduction

Used to reduce the salt and pepper noise in an image.

0if No salt and pepper noise reduction (default)

1if Salt and pepper noise reduction

Example:

Noise Reduction Off (0if):



Noise Reduction On (1if):



IR - Image Rotate

- 0ir Image as snapped (rightside up) (default)
- 1ir Rotate image 90 degrees to the right
- 2ir Rotate image 180 degrees (upside down)
- 3ir Rotate image 90 degrees to the left

Example:

Image Rotate set to 0ir:



Image Rotate set to 2ir:



Image Rotate set to 1ir:



Image Rotate set to 3ir:



J - JPEG Image Quality

Sets the desired quality when the JPEG image format is selected. Higher numbers result in higher quality, but larger files. Smaller numbers result in greater amounts of lossy compression, faster transmission times, lower quality, but smaller files. (Default = 50)

- nJ Image is compressed as much as possible while preserving quality factor of n ($n = 0 - 100$)
- 0J worst quality (smallest file)
- 100J best quality (largest file)

K - Gamma Correction

Gamma measures the brightness of midtone values produced by the image. You can brighten or darken an image using gamma correction. A higher gamma correction yields an overall brighter image. The lower the setting, the darker the image. The optimal setting for text images is 50K.

- OK Gamma correction off (*default*)
- 50K Apply gamma correction for brightening typical document image
- nK Apply gamma correction factor n ($n = 0-1,000$)

Example:

Gamma Correction set to 0K:



Gamma Correction set to 50K:



Gamma Correction set to 255K:



L, R, T, B, M - Image Cropping

Ships a window of the image by specifying the left, right, top, and bottom pixel coordinates. Device columns are numbered 0 through 1279, and device rows are numbered 0 through 959.

- nL The left edge of the shipped image corresponds to column n of the image in memory. Range: 000 - 843. (*Default = 0*)
- nR The right edge of the shipped image corresponds to column $n - 1$ of the image in memory. Range: 000 - 843. (*Default = all columns*)
- nT The top edge of the shipped image corresponds to row n of the image in memory. Range: 000 - 639. (*Default = 0*)

nB The bottom edge of the shipped image corresponds to row $n - 1$ of the image in memory. Range: 000 - 639. (Default = all rows)

Example:

Uncropped Image:



Image Crop set to 300R:



Image Crop set to 300L:

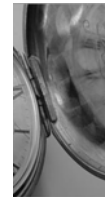


Image Crop set to 200B:



Image Crop set to 200T:



Alternately, specify the number of pixels to cut from the outside margin of the image; thus only the center pixels are transmitted.

nM Margin: cut n columns from the left, $n + 1$ columns from the right, n rows from the top, and $n + 1$ rows from the bottom of the image. Ship the remaining center pixels. Range: 0 - 238. (Default = 0, or full image)

Example:

Image Crop set to 238M:



P - Protocol

Used for shipping an image. Protocol covers two features of the image data being sent to the host. It addresses the protocol used to send the data (Hmodem, which is an Xmodem 1K variant that has additional header information), and the format of the image data that is sent.

- 0P None (raw data)
- 2P None (default for USB)
- 3P Hmodem compressed (default for RS232)
- 4P Hmodem

S - Pixel Ship

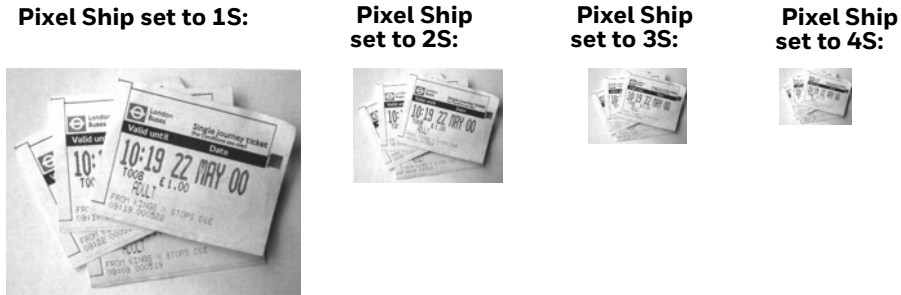
Pixel Ship sizes an image in proportion to its original size. It decimates the image by shipping only certain, regularly spaced pixels.

Example: 4S would transmit every fourth pixel from every fourth line.

The smaller number of pixels shipped, the smaller the image, however, after a certain point the image becomes unusable.

- 1S ship every pixel (*default*)
- 2S ship every 2nd pixel, both horizontally and vertically
- 3S ship every 3rd pixel, both horizontally and vertically

Example:



U - Document Image Filter

Allows you to input parameters to sharpen the edges and smooth the area between the edges of text in an image. This filter should be used with gamma correction (see [page 243](#)), with the scanner in a stand, and the image captured using the command:

IMGSNP1POL168W90%32D

This filter typically provides better JPEG compression than the standard E - Edge Sharpen command (see [page 246](#)). This filter also works well when shipping pure black and white images (1 bit per pixel). The optimal setting is 26U.

- 0U Document image filter off (*default*)
- 26U Apply document image filter for typical document image
- nU Apply document image filter using grayscale threshold n. Use lower numbers when the image contrast is lower. 1U will have a similar effect to setting [E - Edge Sharpen](#) (page 239) to 22e. Range: 0-255.

Example:

Document Image Filter set to 0U: Document Image Filter set to 26U:



V - Blur Image

Smooths transitions by averaging the pixels next to the hard edges of defined lines and shaded areas in an image.

0V Don't blur (*default*)

1V Blur

Example:

Blur Image Off (0V):



Blur Image On (1V):



W - Histogram Ship

A histogram gives a quick picture of the tonal range of an image, or key type. A low-key image has detail concentrated in the shadows; a high-key image has detail concentrated in the highlights; and an average-key image has detail concentrated in the midtones. This modifier ships the histogram for an image.

0W Don't ship histogram (*default*)

1W Ship histogram

Example:

Image used for histogram:



Histogram of image:



Image Size Compatibility

If you have applications that expect an image ship to return exactly 640x480 pixels, scan the Force VGA Resolution bar code. *Default = Native Resolution.*



IMGVGA1.

Force VGA Resolution



IMGVGAD.

* Native Resolution

Intelligent Signature Capture - IMGBOX

IMGBOX allows you to configure the size and location of a signature capture area relative to its proximity to a bar code. This allows you to tailor a signature capture area to a specific form. In order to use IMGBOX, you need a set form where the signature box location is in a known location relative to a bar code. You can input the overall size of the signature area, as well as specify how far the signature area is from the bar code, vertically and horizontally. You can also set the resolution and file format for the final output of the signature capture image.

Note: *IMGBOX commands can only be triggered by one of the following types of bar codes: PDF417, Code 39, Code 128, Aztec, Codabar, and Interleaved 2 of 5. Once one of these symbologies has been read, the image is retained for a possible IMGBOX command.*

Signature Capture Optimize

If you will be using your scanner to capture signatures frequently, you should optimize it for this purpose. However, the speed of scanning bar codes may be slowed when this mode is enabled. *Default = Off.*



DECBND1.

Optimize On



DECBND0.

*** Optimize Off**

Below is an example of a signature capture application. In this example, the aimer is centered over the signature capture area and the trigger is pressed. A single beep is emitted, indicating that the scanner has read a Code 128 bar code and the data has been transferred to the host. If using a Granit scanner, the scanner also vibrates. An IMGBOX command may now be sent from the host to specify the coordinates of the signature capture area below that code, and indicating that only that area containing the signature should be transferred as an image to the host.

To see this example, align the aimer with the signature area (not with the bar code), then press the trigger.



Send the following IMGBOX command string after the trigger press:

Example: IMGBOX245w37h55y.

Note: Case is not important in the command string. It is used here only for clarity.

The following image is captured:



The IMGBOX commands have many different modifiers that can be used to change the size and appearance of the signature image output by the scanner. Modifiers affect the image that is transmitted, but do not affect the image in memory. Any number of modifiers may be appended to the IMGBOX command.

Note: The IMGBOX command will return a NAK unless a window size (width and height) are specified. See [H - Height of Signature Capture Area](#) (page 250) and [W - Width of Signature Capture Area](#) (page 251).

IMGBOX Modifiers

A - Output Image Width

This option is used to size the image horizontally. If using this option, set the resolution (R) to zero.

Example: Image Width set to 200A:

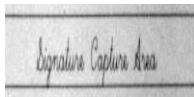
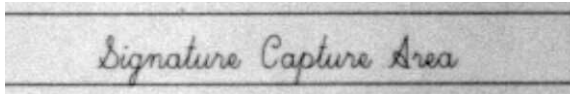


Image Width set to 600A:



B - Output Image Height

This option is used to size the image vertically. If using this option, set the resolution (R) to zero.

Example:

Image Height set to 50B:

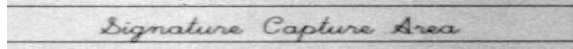
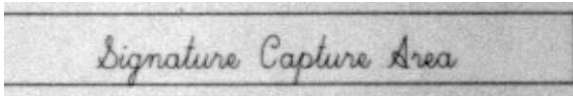


Image Height set to 100B:



D - Pixel Depth

This indicates the number of bits per pixel in the transmitted image, which defines whether it will be grayscale or black and white.

- 8D 8 bits per pixel, grayscale image (*default*)
- 1D 1 bit per pixel, black and white image

F - File Format

This option indicates the type of file format in which to save the image.

- 0F KIM format
- 1F TIFF binary
- 2F TIFF binary group 4, compressed
- 3F TIFF grayscale
- 4F Uncompressed Binary
- 5F Uncompressed grayscale
- 6F JPEG image (*default*)
- 7F Outlined image
- 8F BMP format

H - Height of Signature Capture Area

The height of the signature capture area must be measured in inches divided by .01. In the example, the height of the area to be captured is 3/8 inch, resulting in a value of $H = .375/0.01 = 37.5$.

Example: *IMGBOX245w37h55y*.

K - Gamma Correction

Gamma measures the brightness of midtone values produced by the image. You can brighten or darken an image using gamma correction. A higher gamma correction yields an overall brighter image. The lower the setting, the darker the image. The optimal setting for text images is 50K.

OK Gamma correction off (*default*)

50K Apply gamma correction for brightening typical document image

nK Apply gamma correction factor n ($n = 1-255$)

Example:

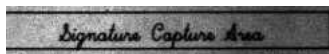
Gamma Correction set to OK:



Gamma Correction set to 50K:



Gamma Correction set to 255K:



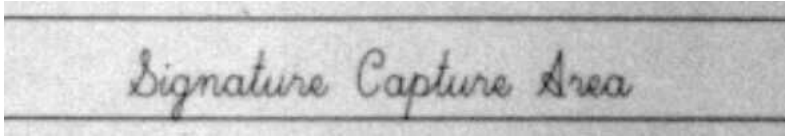
R - Resolution of Signature Capture Area

The resolution is the number of pixels that the scanner outputs per each minimum bar width. The higher the value for R, the higher the quality of the image, but also the larger the file size. Values begin at 1000. The scanner automatically inserts a

decimal point between the first and second digit. For example, use 2500 to specify a resolution of 2.5. Set to zero when using the A and B modifiers (see [A - Output Image Width](#) and [B - Output Image Height](#) on page 249).

Example:

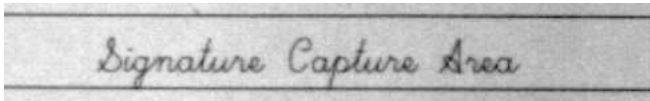
Resolution set to 0R:



Resolution set to 1000R:



Resolution set to 2000R:



S - Bar Code Aspect Ratio

All dimensions used in IMGBOX are measured as multiples of the minimum element size of the bar code. The bar code aspect ratio allows you to set the ratio of the bar code height to the narrow element width. In the example, the narrow element width is .010 inches and the bar code height is 0.400 inches, resulting in a value of $S = 0.4/0.01 = 40$.

W - Width of Signature Capture Area

The width of the signature capture area must be measured in inches divided by .01. In the example, the width of the area to be captured is 2.4 inches, resulting in a value of $W = 2.4/0.01 = 240$. (A value of 245 was used in the example to accommodate a slightly wider image area.)

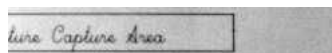
Example: *IMGBOX245w37h55y.*

X - Horizontal Bar Code Offset

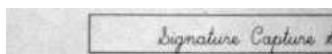
The horizontal bar code offset allows you to offset the horizontal center of the signature capture area. Positive values move the horizontal center to the right and negative values to the left. Measurements are in multiples of the minimum bar width.

Example:

Horizontal Offset set to 75X:



Horizontal Offset set to -75X:



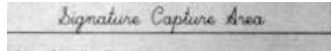
Y - Vertical Bar Code Offset

The vertical bar code offset allows you to offset the vertical center of the signature capture area. Negative numbers indicate that the signature capture is above the bar code, and positive numbers indicate that the area is below the bar code. Measurements are in multiples of the minimum bar width

Example: **Vertical Offset set to -7Y:**



Vertical Offset set to 65Y:



RF Default Imaging Device

The scanner supports imaging command processing (IMGSH, IMGSNP, IMGBOX) so that EZConfig-Scanning (see page 255) and other applications are able to perform imaging functions as if they were communicating directly with a scanner. To accomplish this, the scanner uses a menu command called RF_DID (RF Default Imaging Device). RF_DID is the name of the scanner (BT_NAM) that is to receive imaging commands. The default for RF_DID is "*" indicating that imaging commands are to be sent to all associated scanners. Change this setting to RF_DID-scanner_name to ensure that they are sent to a particular scanner. Refer to "Page" on page 3-51 to generate a report containing the port, work group, scanner name, and address for each scanner. Refer to "Scanner Name" on page 3-65 set a unique name for each scanner.

To Add a Test Code I.D. Prefix to All Symbologies

This selection allows you to turn on transmission of a Code I.D. before the decoded symbology. (See the [Symbology Charts](#), beginning on page 327) for the single character code that identifies each symbology.) This action first clears all current prefixes, then programs a Code I.D. prefix for all symbologies. This is a temporary setting that will be removed when the unit is power cycled.



PRECA2,BK2995C80!

**Add Code I.D. Prefix to
All Symbologies (Temporary)**

Show Decoder Revision

Scan the bar code below to output the decoder revision.



REV_DR.

Show Decoder Revision

Show Scan Driver Revision

Scan the bar code below to output the scan driver revision. The scan driver controls image capture.



REV_SD.

Show Scan Driver Revision

Show Software Revision

Scan the bar code below to output the current software revision, unit serial number, and other product information for both the scanner and base.



REVINF.

Show Software Revision

Show Data Format

Scan the bar code below to show current data format settings.



DFMBK3?.

Data Format Settings

Test Menu

When you scan the **Test Menu On** code, then scan a programming code in this manual, the scanner displays the content of a programming code. The programming function will still occur, but in addition, the content of that programming code is output to the terminal.

Note: *This feature should not be used during normal scanner operation.*



TSTMNU1.

On



TSTMNU0.

*** Off**

TotalFreedom

TotalFreedom is an open system architecture that makes it possible for you create applications that reside on your scanner. Decoding apps and Data Formatting apps can be created using TotalFreedom. For further information about TotalFreedom, go to our website at www.honeywellaidc.com.

Application Plug-Ins (Apps)

Any apps that you are using can be turned off or on by scanning the following bar codes. Apps are stored in groups: Decoding, and Formatting. You can enable and disable these groups of apps by scanning that group's On or Off bar code below. You can also scan the List Apps bar code to output a list of all your apps.



PLGDCE1.

*** Decoding Apps On**



PLGDCE0.

Decoding Apps Off



PLGFOE1.

*** Formatting Apps On**



PLGFOE0.

Formatting Apps Off



PLGINF.

List Apps

Note: You must reset your device in order for the apps setting to take effect.

EZConfig Cloud for Scanning Introduction

EZConfig Cloud for Scanning provides a wide range of PC-based programming functions that can be performed on a scanner connected to your PC. EZConfig Cloud for Scanning allows you to download upgrades to the scanner's firmware, change programmed parameters, and create and print programming bar codes. Using EZConfig Cloud for Scanning, you can even save/open the programming parameters for a scanner. This saved file can be e-mailed or, if required, you can create a single bar code that contains all the customized programming parameters and mail or fax that bar code to any location. Users in other locations can scan the bar code to load in the customized programming.

EZConfig Cloud for Scanning Operations

The EZConfig Cloud for Scanning software performs the following operations:

Scan Data

Scan Data allows you to scan bar codes and display the bar code data in a window. Scan Data lets you send serial commands to the scanner and receive scanner response that can be seen in the Scan Data window. The data displayed in the Scan Data window can either be saved in a file or printed.

Configure

Configure displays the programming and configuration data of the scanner. The scanner's programming and configuration data is grouped into different categories. Each category is displayed as a tree item under the "Configure" tree node in the application explorer. When one of these tree nodes is clicked, the right-hand side is loaded with the parameters' form belonging to that particular category. The "Configure" tree option has all the programming and configuration parameters specified for a scanner. You can set or modify these parameters as required. You can later write the modified settings to the scanner, or save them to a dcf file.

Imaging

Imaging provides all the image-related functions that a 2D Scanner can perform. You can capture an image using the current settings, and the image will be displayed in an image window. Images captured from the scanner can be saved to files in different image formats. You can modify the image settings and save the image settings to an INI file, which can be loaded later to capture new images. Imaging also lets you preview the images continuously captured by the scanner.

Install EZConfig Cloud for Scanning

Use the EZConfig Cloud for Scanning tool to configure your scanner online:

1. Access the Honeywell web site at www.honeywellaidc.com
2. Click on the **Browse Products** tab. Under **Software**, select **Device Management**.
3. Click on **EZConfig Cloud for Scanning**.
4. Scroll to the bottom of the page and click on **Register for free access now** to sign up.

Reset the Factory Defaults



Caution: *This selection erases all your settings and resets the scanner to the original factory defaults. It also disables all plugins.*

If you aren't sure what programming options are in your scanner, or you've changed some options and want to restore the scanner to factory default settings, first scan the **Remove Custom Defaults** bar code, then scan **Activate Defaults**. This resets the scanner to the factory default settings.



DEFOVR.

Remove Custom Defaults



DEFAULT.

Activate Defaults

Note: *If using a cordless system, scanning the **Activate Defaults** bar code also causes both the scanner and the base or Access Point to perform a reset and become unlinked. The scanner must be placed in its base to re-establish the link before any setup codes are entered. If using an Access Point, the linking bar code must be scanned. See [Cordless System Operation: Xenon 1902g/1912 and Granit 1911i/1981i](#) beginning on page 41, or [Cordless System Operation: Xenon 1902g-BF](#) beginning on page 79 for additional information.*

The [Menu Commands](#), beginning on page 264, list the factory default settings for each of the commands (indicated by an asterisk (*) on the programming pages).

SERIAL PROGRAMMING COMMANDS

The serial programming commands can be used in place of the programming bar codes. Both the serial commands and the programming bar codes will program the scanner. For complete descriptions and examples of each serial programming command, refer to the corresponding programming bar code in this manual.

The device must be set to an RS232 interface (see [page 16](#)). The following commands can be sent via a PC COM port using terminal emulation software.

Conventions

The following conventions are used for menu and query command descriptions:

<i>parameter</i>	A label representing the actual value you should send as part of a command.
[<i>option</i>]	An optional part of a command.
{Data}	Alternatives in a command.
bold	Names of menus, menu commands, buttons, dialog boxes, and windows that appear on the screen.

Menu Command Syntax

Menu commands have the following syntax (spaces have been used for clarity only):

Prefix [:Name:] Tag SubTag {Data} [, SubTag {Data}] [; Tag SubTag {Data}] [...] Storage

Prefix Three ASCII characters: SYN M CR (ASCII 22,77,13).

:Name: This command is only used with cordless devices. It is used to specify whether you're communicating with the base or the scanner. To send information to the scanner (with the base connected to host), use :Xenon: The default factory setting for a Xenon scanner is Xenon

scanner. This setting is changed by using the BT_NAM command, which accepts alphanumeric values. If the name is not known, a wildcard (*) can be used :*

Note: *Since the base stores all work group settings and transfers to them to scanner once they are linked, changes are typically done to the base and not to the scanner.*

Tag	A 3 character case-insensitive field that identifies the desired menu command group. For example, all RS232 configuration settings are identified with a Tag of 232 .
SubTag	A 3 character case-insensitive field that identifies the desired menu command within the tag group. For example, the SubTag for the RS232 baud rate is BAD .
Data	The new value for a menu setting, identified by the Tag and SubTag.
Storage	A single character that specifies the storage table to which the command is applied. An exclamation point (!) performs the command's operation on the device's volatile menu configuration table. A period (.) performs the command's operation on the device's non-volatile menu configuration table. Use the non-volatile table only for semi-permanent changes you want saved through a power cycle.

Query Commands

Several special characters can be used to query the device about its settings.

^	What is the default value for the setting(s).
?	What is the device's current value for the setting(s).
*	What is the range of possible values for the setting(s). (The device's response uses a dash (-) to indicate a continuous range of values. A pipe () separates items in a list of non-continuous values.)

:Name: Field Usage (Optional)

This command returns the query information from the scanner.

Tag Field Usage

When a query is used in place of a Tag field, the query applies to the *entire* set of commands available for the particular storage table indicated by the Storage field of the command. In this case, the SubTag and Data fields should not be used because they are ignored by the device.

SubTag Field Usage

When a query is used in place of a SubTag field, the query applies only to the subset of commands available that match the Tag field. In this case, the Data field should not be used because it is ignored by the device.

Data Field Usage

When a query is used in place of the Data field, the query applies only to the specific command identified by the Tag and SubTag fields.

Concatenation of Multiple Commands

Multiple commands can be issued within one Prefix/Storage sequence. Only the Tag, SubTag, and Data fields must be repeated for each command in the sequence. If additional commands are to be applied to the same Tag, then the new command sequence is separated with a comma (,) and only the SubTag and Data fields of the additional command are issued. If the additional command requires a different Tag field, the command is separated from previous commands by a semicolon (;).

Responses

The device responds to serial commands with one of three responses:

- | | |
|------------|---|
| ACK | Indicates a good command which has been processed. |
| ENQ | Indicates an invalid Tag or SubTag command. |
| NAK | Indicates the command was good, but the Data field entry was out of the allowable range for this Tag and SubTag combination, e.g., an entry for a minimum message length of 100 when the field will only accept 2 characters. |

When responding, the device echoes back the command sequence with the status character inserted directly before each of the punctuation marks (the period, exclamation point, comma, or semicolon) in the command.

Examples of Query Commands

In the following examples, a bracketed notation [] depicts a non-displayable response.

Example: What is the range of possible values for Codabar Coding Enable?

Enter: **cbrena*.**

Response: **CBRENA0-1[ACK]**

This response indicates that Codabar Coding Enable (CBRENA) has a range of values from 0 to 1 (off and on).

Example: What is the default value for Codabar Coding Enable?

Enter: **cbrena^.**

Response: **CBRENA1[ACK]**

This response indicates that the default setting for Codabar Coding Enable (CBRENA) is 1, or on.

Example: What is the device's current setting for Codabar Coding Enable?

Enter: **cbrena?.**

Response: **CBRENA1[ACK]**

This response indicates that the device's Codabar Coding Enable (CBRENA) is set to 1, or on.

Example: What are the device's settings for all Codabar selections?

Enter: **cbr?.**

Response: **CBRENA1[ACK],**
 SSX0[ACK],
 CK20[ACK],
 CCT1[ACK],
 MIN2[ACK],
 MAX60[ACK],
 DFT[ACK].

This response indicates that the device's Codabar Coding Enable (CBRENA) is set to 1, or on;
the Start/Stop Character (SSX) is set to 0, or Don't Transmit;
the Check Character (CK2) is set to 0, or Not Required;
concatenation (CCT) is set to 1, or Enabled;
the Minimum Message Length (MIN) is set to 2 characters;
the Maximum Message Length (MAX) is set to 60 characters;
and the Default setting (DFT) has no value.

Trigger Commands

You can activate and deactivate the scanner with serial trigger commands. First, the scanner must be put in Manual Trigger Mode by scanning a Manual Trigger Mode bar code ([page 117](#)), or by sending a serial menu command for triggering ([page 119](#)). Once the scanner is in serial trigger mode, the trigger is activated and deactivated by sending the following commands:

Activate: **SYN T CR**

Deactivate: **SYN U CR**

The scanner scans until a bar code has been read, until the deactivate command is sent, or until the serial time-out has been reached (see [Read Time-Out](#) on page 119 for a description, and the serial command on [page 276](#)).

Reset the Custom Defaults

If you want the custom default settings restored to your scanner, scan the **Activate Custom Defaults** bar code below. This resets the scanner to the custom default settings. If there are no custom defaults, it will reset the scanner to the factory default settings. Any settings that have not been specified through the custom defaults will be defaulted to the factory default settings.



DEFAULT.

Activate Custom Defaults

Note: *If using a cordless system, scanning this bar code also causes both the scanner and the base or Access Point to perform a reset and become unlinked. The scanner must be placed in its base to re-establish the link. If using an Access Point, the linking bar code must be scanned. See [Cordless System Operation: Xenon 1902g/1912 and Granit 1911i/1981i](#) beginning on page 41, or [Cordless System Operation: Xenon 1902g-BF](#) beginning on page 79 for additional information.*

The charts on the following pages list the factory default settings for each of the commands (indicated by an asterisk (*) on the programming pages).

Menu Commands

Selection	Setting * Indicates default	Serial Command # Indicates a numeric entry	Page
Product Default Settings			
Set Custom Defaults	Set Custom Defaults	MNUCDP	12
	Save Custom Defaults	MNUCDS	12
Reset the Custom Defaults	Activate Custom Defaults	DEFAULT	13
Reset the Factory Defaults - cordless scanners	Factory Default Settings: All Application Groups	PAPDFT&	68
Reset the Custom Defaults - cordless scanners	Custom Default Settings: All Application Groups	PAPDFT	69
Program the Interface			
Plug and Play Codes	Keyboard Wedge: IBM PC AT and Compatibles with CR suffix (not supported by Granit 1980i)	PAP_AT	15
	Laptop Direct Connect with CR suffix (not supported by Granit 1980i)	PAPLTD	16
	RS232 Serial Port	PAP232	16
Plug and Play Codes: RS485	IBM Port 5B Interface	PAPP5B	16
	IBM Port 9B HHBCR-1 Interface	PAP9B1	16
	IBM Port 17 Interface	PAPP17	17
	IBM Port 9B HHBCR-2 Interface	PAP9B2	17
	RS485 Packet Mode On	RTLPDF1	17
	RS485 Packet Mode Off	RTLPDF0	17
Plug and Play Codes: IBM SurePos	RS485 Packet Length (20-256)	RTLMP5	18
	USB IBM SurePos Handheld	PAPSPH	18
	USB IBM SurePos Tabletop	PAPSPT	18
Plug and Play Codes: USB	USB Keyboard (PC)	PAP124	18
	USB Keyboard (Mac)	PAP125	19
	USB Japanese Keyboard (PC)	TRMUSB134	19
	USB HID	PAP131	19
	USB Serial	TRMUSB130	19
	CTS/RTS Emulation On	USBCTS1	19
	CTS/RTS Emulation Off*	USBCTS0	20
	ACK/NAK Mode On	USBACK1	20
	ACK/NAK Mode Off*	USBACK0	20
Remote MasterMind for USB	ReM Off	REMIFC0	20
	ReM On	REMIFC1	20

Selection	Setting * Indicates default	Serial Command # Indicates a numeric entry	Page
Plug and Play Codes	Verifone Ruby Terminal	PAPRBY	20
	Gilbarco Terminal	PAPGLB	21
	Honeywell Bioptic Aux Port	PAPBIO	21
	Datalogic Magellan Aux Port	PAPMAG	21
	NCR Bioptic Aux Port	PAPNCR	22
	Wincor Nixdorf Terminal	PAPWNX	22
	Wincor Nixdorf Beetle	PAPBTL	22
	Wincor Nixdorf RS232 Mode A (not supported by all Granit models)	PAPWMA	23
Program Keyboard Country	*U.S.A.	KBDCTY0	23
	Albania	KBDCTY35	23
	Azeri (Cyrillic)	KBDCTY81	24
	Azeri (Latin)	KBDCTY80	24
	Belarus	KBDCTY82	24
	Belgium	KBDCTY1	24
	Bosnia	KBDCTY33	24
	Brazil	KBDCTY16	24
	Brazil (MS)	KBDCTY59	24
	Bulgaria (Cyrillic)	KBDCTY52	24
	Bulgaria (Latin)	KBDCTY53	24
	Canada (French legacy)	KBDCTY54	24
	Canada (French)	KBDCTY18	24
	Canada (Multilingual)	KBDCTY55	24
	Croatia	KBDCTY32	25
	Czech	KBDCTY15	25
	Czech (Programmers)	KBDCTY40	25
	Czech (QWERTY)	KBDCTY39	25
	Czech (QWERTZ)	KBDCTY38	25
	Denmark	KBDCTY8	25
	Dutch (Netherlands)	KBDCTY11	25
	Estonia	KBDCTY41	25
	Faroese	KBDCTY83	25
	Finland	KBDCTY2	25
	France	KBDCTY3	25
	Gaelic	KBDCTY84	25
	Germany	KBDCTY4	26

Selection	Setting * Indicates default	Serial Command # Indicates a numeric entry	Page
	Greek	KBDCTY17	26
	Greek (220 Latin)	KBDCTY64	26
	Greek (220)	KBDCTY61	26
	Greek (319 Latin)	KBDCTY65	26
	Greek (319)	KBDCTY62	26
	Greek (Latin)	KBDCTY63	26
	Greek (MS)	KBDCTY66	26
	Greek (Polytonic)	KBDCTY60	26
	Hebrew	KBDCTY12	26
	Hungarian (101 key)	KBDCTY50	26
	Hungary	KBDCTY19	26
	Iceland	KBDCTY75	27
	Irish	KBDCTY73	27
	Italian (142)	KBDCTY56	27
	Italy	KBDCTY5	27
	Japan ASCII	KBDCTY28	27
	Kazakh	KBDCTY78	27
	Kyrgyz (Cyrillic)	KBDCTY79	27
	Latin America	KBDCTY14	27
	Latvia	KBDCTY42	27
	Latvia (QWERTY)	KBDCTY43	27
	Lithuania	KBDCTY44	27
	Lithuania (IBM)	KBDCTY45	27
	Macedonia	KBDCTY34	28
	Malta	KBDCTY74	28
	Mongolian (Cyrillic)	KBDCTY86	28
	Norway	KBDCTY9	28
	Poland	KBDCTY20	28
	Polish (214)	KBDCTY57	28
	Polish (Programmers)	KBDCTY58	28
	Portugal	KBDCTY13	28
	Romania	KBDCTY25	28
	Russia	KBDCTY26	28
	Russian (MS)	KBDCTY67	28
	Russian (Typewriter)	KBDCTY68	28
	SCS	KBDCTY21	29
	Serbia (Cyrillic)	KBDCTY37	29

Selection	Setting * Indicates default	Serial Command # Indicates a numeric entry	Page
	Serbia (Latin)	KBDCTY36	29
	Slovakia	KBDCTY22	29
	Slovakia (QWERTY)	KBDCTY49	29
	Slovakia (QWERTZ)	KBDCTY48	29
	Slovenia	KBDCTY31	29
	Spain	KBDCTY10	29
	Spanish variation	KBDCTY51	29
	Sweden	KBDCTY23	29
	Switzerland (French)	KBDCTY29	29
	Switzerland (German)	KBDCTY6	29
	Tatar	KBDCTY85	30
	Turkey F	KBDCTY27	30
	Turkey Q	KBDCTY24	30
	Ukrainian	KBDCTY76	30
	United Kingdom	KBDCTY7	30
	United Stated (Dvorak right)	KBDCTY89	30
	United States (Dvorak left)	KBDCTY88	30
	United States (Dvorak)	KBDCTY87	30
	United States (International)	KBDCTY30	30
	Uzbek (Cyrillic)	KBDCTY77	30
Keyboard Conversion	*Keyboard Conversion Off	KBDCNV0	32
	Convert all Characters to Upper Case	KBDCNV1	32
	Convert all Characters to Lower Case	KBDCNV2	32
Keyboard Style	*Regular	KBDSTY0	31
	Caps Lock	KBDSTY1	31
	Shift Lock	KBDSTY2	31
	Automatic Caps Lock	KBDSTY6	31
	Emulate External Keyboard	KBDSTY5	31
Control Character Output	*Control Character Output Off	KBDNPE0	32
	*Control Character Output On	KBDNPE1	32

Selection	Setting * Indicates default	Serial Command # Indicates a numeric entry	Page
Keyboard Modifiers	*Control + X Off	KBDCAS0	33
	DOS Mode Control + X	KBDCAS1	33
	Windows Mode Control + X	KBDCAS2	33
	Windows Mode Prefix/Suffix Off	KBDCAS3	33
	*Turbo Mode Off	KBDTMD0	33
	Turbo Mode On	KBDTMD1	33
	*Numeric Keypad Off	KBDNPS0	34
	Numeric Keypad On	KBDNPS1	34
	*Auto Direct Connect Off	KBDADC0	34
	Auto Direct Connect On	KBDADC1	34
Baud Rate	300 BPS	232BAD0	34
	600 BPS	232BAD1	34
	1200 BPS	232BAD2	34
	2400 BPS	232BAD3	34
	4800 BPS	232BAD4	35
	9600 BPS	232BAD5	35
	19200 BPS	232BAD6	35
	38400 BPS	232BAD7	35
	57600 BPS	232BAD8	35
	*115200 BPS	232BAD9	35
Word Length: Data Bits, Stop Bits, and Parity	7 Data, 1 Stop, Parity Even	232WRD3	35
	7 Data, 1 Stop, Parity None	232WRD0	35
	7 Data, 1 Stop, Parity Odd	232WRD6	35
	7 Data, 2 Stop, Parity Even	232WRD4	36
	7 Data, 2 Stop, Parity None	232WRD1	36
	7 Data, 2 Stop, Parity Odd	232WRD7	36
	8 Data, 1 Stop, Parity Even	232WRD5	36
	*8 Data, 1 Stop, Parity None	232WRD2	36
	8 Data, 1 Stop, Parity Odd	232WRD8	36
	8 Data, 1 Stop, Parity Mark	232WRD14	36
RS232 Receiver Time-out	Range 0 - 300 seconds	232LPT###	36

Selection	Setting * Indicates default	Serial Command # Indicates a numeric entry	Page
RS232 Handshaking	*RTS/CTS Off	232CTS0	37
	Flow Control, No Timeout	232CTS1	37
	Two-Direction Flow Control	232CTS2	37
	Flow Control with Timeout	232CTS3	37
	RS232 Timeout	232DEL####	37
	*XON/XOFF Off	232XON0	38
	XON/XOFF On	232XON1	38
	*ACK/NAK Off	232ACK0	38
	ACK/NAK On	232ACK1	38
Scanner-Biopic Packet Mode	*Packet Mode Off	232PKT0	39
	Packet Mode On	232PKT2	39
Scanner-Biopic ACK/NAK Mode	*Biopic ACK/NAK Off	232NAK0	39
	Biopic ACK/NAK On	232NAK1	39
Scanner-Biopic ACK/NAK Timeout	ACK/NAK Timeout *5100	232DLK#####	39
Cordless System Operation: Xenon 1902g/1912 and Granit 1911i/1981i <i>This section applies only to cordless systems. It does not apply to corded scanners or Xenon 1902g-BF scanners.</i>			
Replace a Linked Scanner	Override locked Scanner (Single Scanner)	BT_RPL1	43
Temporary Streaming Presentation Mode	*Temporary Streaming Presentation Mode On	BEPPGE2	46
	*10 Second Timeout	TRGTPM10000	46
	60 Second Timeout	TRGTPM60000	46
Base Power Communication Indicator	*On	:.BASRED1	50
	Off	:.BASREDO	50
Reset Scanner	Reset Scanner	RESET_	50
Scan While in Base Cradle	Scan in Cradle Off	BT_SIC0	50
	*Scan in Cradle On (CCB01-010BT default)	BT_SIC1	50
	Shut Down Scanner in Cradle	BT_SIC2	50
Base Charge Modes	Base Charge Off	BASCHG0	51
	*External or Interface Cable Power	BASCHG1	51
	External Power Only	BASCHG2	51
Page Mode	*On	BEPPGE1	51
	Off	BEPPGE0	51
Page Pitch	Range 400 - 9000 Hz (*1000)	BEPPFQ####	51

Selection	Setting * Indicates default	Serial Command # Indicates a numeric entry	Page
Beeper Pitch - Base Error	*Razz (250) (min 200Hz)	BASFQ2250	53
	Medium (3250)	BASFQ23250	53
	High (4200) (max 9000Hz)	BASFQ24200	53
Number of Beeps - Base Error	*1	BASERR3	53
	Range 1 - 9	BASERR#	53
Scanner Report	Scanner Report	RPTSCN	53
Scanner Address	Scanner Address	BT_LDA	53
Base Address	Base Address	.*:BASLDA	54
Scanner Modes	Charge Only Mode	.*:BASLNK0	54
	Charge and Link Mode	.:BASLNK1	54
	Locked Link Mode	BASCON0,DNG1	55
	*Open Link Mode	BASCON1,DNG1	55
	Unlink Scanner	BT_RMV	55
	Override Locked Scanner	BT_RPL1	56
Out-of-Range Alarm	Base Alarm Duration (Range 1 - 3000 sec (*0))	BASORD	56
	Scanner Alarm Duration (Range 1 - 3000 sec (*0))	BT_ORD	56
Alarm Sound Type	Base Alarm Type	BASORW	57
	Scanner Alarm Type	BT_ORW	57
Scanner Power Time-Out Timer	Timer (0-7200 seconds)	BT_LPT0	58
	200 Seconds	BT_LPT200	58
	400 Seconds	BT_LPT400	58
	900 Seconds	BT_LPT900	58
	3600 Seconds	BT_LPT3600	58
	7200 Seconds	BT_LPT7200	58
Flexible Power Management	*Full Power	BT_TXP100	59
	Medium Power	BT_TXP35	59
	Medium Low Power	BT_TXP5	59
	Low Power	BT_TXP1	59
Batch Mode	Automatic Batch Mode	BATENA1	60
	*Batch Mode Off	BATENA0	60
	Inventory Batch Mode	BATENA2	60
	Persistent Batch Mode	BATENA3	60
Batch Mode Beep	Off	BATBEPO	60
	*On	BATBEP1	60
Batch Mode Storage	*Flash Storage	BATNVS1	61
	RAM Storage	BATNVS0	61

Selection	Setting * Indicates default	Serial Command # Indicates a numeric entry	Page
Batch Mode Quantity	*Off	BATQTY0	61
	On	BATQTY1	61
Quantity Codes	0	BATNUM0	62
	*1	BATNUM1	62
	2	BATNUM2	62
	3	BATNUM3	62
	4	BATNUM4	63
	5	BATNUM5	63
	6	BATNUM6	63
	7	BATNUM7	63
	8	BATNUM8	63
	9	BATNUM9	63
Batch Mode Output Order	*FIFO	BATLIFO	63
	LIFO	BATLIF1	63
Total Records	Total Records	BATNRC	64
Delete Last Code	Delete Last Code	BATUND	64
Clear All Codes	Clear All Codes	BATCLR	64
Transmit Records to Host	Transmit Inventory Records	BAT_TX	64
Batch Mode Transmit Delay	*Off	BATDLY0	64
	Short (ms)	BATDLY250	65
	Medium (ms)	BATDLY500	65
	Long (ms)	BATDLY1000	65
Multiple Scanner Operation	Multiple Scanner Operation	BASCON2,DNG3	65
Scanner Name	Name 1-7	BT_NAM#####	66
	Reset	RESET_	66
	Scanner Name	BT_NAM	67
Application Work Group Selections	*Group 0	GRPSELO	67
	Group 1-6	GRPSEL#	68
Reset the Factory Defaults: All Application Work Groups	Factory Default Settings: All Work Groups	PAPDFT&	68
Reset the Custom Defaults: All Application Work Groups	Custom Default Settings: All Work Groups	PAPDFT	69
Bluetooth Connection	*Bluetooth SSP On	BT_SSP1	69
	Bluetooth SSP Off	BT_SSP0	69
	Bluetooth HID Keyboard Connect	PAPBTH	70
	Bluetooth HID Japanese Keyboard Connect	PAPJKB	70

Selection	Setting * Indicates default	Serial Command # Indicates a numeric entry	Page
	Bluetooth HID Keyboard Disconnect	PAPSPP	71
	Bluetooth Serial Port - PCs/Laptops	BT_TRM0;BT_DNG5	72
	BT Connection - PDA/Mobility Systems Device	BT_TRM0;BT_DNG1	72
	Bluetooth PIN Code	BT_PIN	72
Auto Reconnect Mode	*Auto Reconnect On	BT_ACM1	73
	Auto Reconnect Off	BT_ACM0	73
Maximum Link Attempts	Maximum Link Attempts	BT_MLA###	74
Relink Time-Out	Relink Time-Out (*3)	BT_RLT###	74
Host Command Acknowledgment	Host ACK On	HSTACK1	77
	*Host ACK Off	HSTACK0	77
	Host ACK Timeout	HSTATO##	77
Cordless System Operation: Xenon 1902g-BF			
<i>This section applies only to Xenon 1902g-BF systems. It does not apply to corded scanners or other cordless systems.</i>			
Replace a Linked Scanner	Override locked Scanner (Single Scanner)	BT_RPL1	80
Low Power Alert Range	*Low Power Alert 10-30%	LPIRAGO	85
	Low Power Alert 10-50%	LPIRAG1	85
Low Power Alert Flash Number	Range 1-9 (*3)	LPIFNO	85
Interval Between Flashes	Range 1-9 seconds (*2)	LPIFDL	85
Low Power Alert Repeat	Range 1-5 (*1)	LPL_NO	85
Interval Between Alerts	Range 10-120 seconds (*10)	LPL_DL	86
Low Power Alert Beep	Low Power Alert Beep Off	LPIBEP0	86
	*Low Power Alert Beep On	LPIBEP1	86
Temporary Streaming Presentation Timeout	Range 0 - 300000 ms (*10000)	TRGTPM#####	89
	*10 Second Timeout	TRGTPM10000	89
	30 Second Timeout	TRGTPM30000	89
	1 minute Timeout	TRGTPM60000	89
	2 Minute Timeout	TRGTPM120000	89
	3 Minute Timeout	TRGTPM180000	89
Base Power Communication Indicator	*On	.*:BASRED1	87
	Off	.*:BASRED0	87
Reset Scanner	Reset Scanner	RESET_	87

Selection	Setting * Indicates default	Serial Command # Indicates a numeric entry	Page
Scan While in Base Cradle	Scan in Cradle Off	BT_SIC0	90
	*Scan in Cradle On	BT_SIC1	90
	Shut Down Scanner in Cradle	BT_SIC2	90
Base Charge Modes	Base Charge Off	BASCHG0	88
	*External or Interface Cable Power	BASCHG1	88
	External Power Only	BASCHG2	88
Page Mode	*On	BEPPGE1	90
	Off	BEPPGE0	90
Page Pitch	Range 400 - 9000 Hz (*1000)	BEPPFQ####	91
	*Low (1000 Hz)	BEPPFQ1000	91
	Medium (3250 Hz)	BEPPFQ3250	91
	High (4200 Hz)	BEPPFQ4200	91
Linking Sound	*Linking Sound	BT_ACS1	91
	Silent Linking	BT_ACS0	91
Beeper Pitch - Base Error	*Razz (250) (min 200Hz)	BASFQ2250	92
	Medium (3250)	BASFQ23250	92
	High (4200) (max 9000Hz)	BASFQ24200	92
Number of Beeps - Base Error	Range 1 - 9 (*1)	BASERR#	92
Scanner Report	Scanner Report	RPTSCN	92
Scanner Address	Scanner Address	BT_LDA	92
Base or Access Point Address	Base Address	:*:BASLDA	93
Scanner Modes	Charge Only Mode	:*:BASLNK0	93
	Charge and Link Mode	::BASLNK1	93
	Locked Link Mode	BASCON0,DNG1	94
	*Open Link Mode	BASCON1,DNG1	94
	Unlink Scanner	BT_RMV	94
	Override Locked Scanner	BT_RPL1	95
Out-of-Range Alarm	Base Alarm Duration (Range 1 - 3000 sec (*0))	BASORD	95
	Scanner Alarm Duration (Range 1 - 3000 sec (*0))	BT_ORD	95
Alarm Sound Type	Base Alarm Type	BASORW	95
	Scanner Alarm Type	BT_ORW	95

Selection	Setting * Indicates default	Serial Command # Indicates a numeric entry	Page
Scanner Power Time-Out Timer	Timer (0-7200 seconds)	BT_LPT0	96
	200 Seconds	BT_LPT200	97
	*400 Seconds	BT_LPT400	97
	900 Seconds	BT_LPT900	97
	3600 Seconds	BT_LPT3600	97
	7200 Seconds	BT_LPT7200	97
Flexible Power Management	Full Power	BT_TXP8	98
	*Medium High Power	BT_TXP7	98
	Medium Power	BT_TXP4	98
	Low Power	BT_TXP1	98
Batch Mode	Automatic Batch Mode	BATENA1	99
	*Batch Mode Off	BATENA0	98
	Inventory Batch Mode	BATENA2	99
	Persistent Batch Mode	BATENA3	99
Batch Mode Beep	Off	BATBEPO	99
	*On	BATBEP1	99
Batch Mode Storage	*Flash Storage	BATNVS1	99
	RAM Storage	BATNVS0	99
Batch Mode Quantity	*Off	BATQTY0	100
	On	BATQTY1	100
Quantity Codes	0	BATNUM0	101
	*1	BATNUM1	101
	2	BATNUM2	101
	3	BATNUM3	101
	4	BATNUM4	101
	5	BATNUM5	101
	6	BATNUM6	101
	7	BATNUM7	101
	8	BATNUM8	102
	9	BATNUM9	102
Batch Mode Output Order	*FIFO	BATLIFO	102
	LIFO	BATLIF1	102
Total Records	Total Records	BATNRC	102
Delete Last Code	Delete Last Code	BATUND	102
Clear All Codes	Clear All Codes	BATCLR	103
Transmit Records to Host	Transmit Inventory Records	BAT_TX	103

Selection	Setting * Indicates default	Serial Command # Indicates a numeric entry	Page
Batch Mode Transmit Delay	*Off	BATDLY0	103
	Short (ms)	BATDLY250	103
	Medium (ms)	BATDLY500	103
	Long (ms)	BATDLY1000	103
Scanner Name	Name 1-7	BT_NAM#####	105
	Reset	RESET_	104
	Scanner Name	BT_NAM	105
Bluetooth Connection Auto Reconnect Mode	Bluetooth PIN Code	BT_PIN	105
	*Auto Reconnect On	BT_ACM1	105
	Auto Reconnect Off	BT_ACM0	105
Maximum Link Attempts	Maximum Link Attempts (*4)	BT_MLA###	106
Relink Time-Out	Relink Time-Out (*2)	BT_RLT###	107
Host Command Acknowledgment	Host ACK On	HSTACK1	109
	*Host ACK Off	HSTACK0	109
	Host ACK Timeout	HSTATO##	109
Input/Output Selections			
Power Up Beeper	Power Up Beeper Off - Scanner	BEPPWR0	111
	*Power Up Beeper On - Scanner	BEPPWR1	111
	Power Up Beeper Off - Cordless Base	BASPWR0	111
	Power Up Beeper On - Cordless Base	BASPWR1	111
Beep on BEL Character	Beep on BEL On	BELBEP1	112
	*Beep on BEL Off	BELBEP0	112
Trigger Click	On	BEPTRG1	112
	*Off	BEPTRG0	112
Beeper - Good Read	Off	BEPBEP0	112
	*On	BEPBEP1	112
Beeper Volume - Good Read	Off	BEPLVL0	112
	*Low (Default-Xenon HC)	BEPLVL1	113
	Medium	BEPLVL2	113
	*High	BEPLVL3	113
Beeper Pitch - Good Read (Frequency)	Low (1600) (min 400Hz)	BEPFQ11600	113
	*Medium - Xenon (2700 Hz)	BEPFQ12700	113
	*Medium - Granit (3200 Hz)	BEPFQ13200	113
	High (4200) (max 9000Hz)	BEPFQ14200	113
Vibrate - Good Read	Vibrate - Good Read Off	TFBGRD0	113
	*Vibrate - Good Read On	TFBGRD1	113

Selection	Setting * Indicates default	Serial Command # Indicates a numeric entry	Page
Vibrate Duration	Duration (100 - 2,000 ms) *300	TFBDUR####	114
Beeper Pitch - Error (Frequency)	*Razz (250) (min 200Hz)	BEPFQ2800	114
	Medium (3250)	BEPFQ23250	114
	High (4200) (max 9000Hz)	BEPFQ24200	114
Beeper Duration - Good Read	*Normal Beep	BEPBIPO	115
	Short Beep	BEPBIP1	115
LED - Good Read	Off	BEPLD0	115
	*On	BEPLD1	115
Number of Beeps - Error	*1	BEPERR3	115
	Range 1 - 9	BEPERR#	115
Number of Beeps - Good Read	*1	BEPRPT1	115
	Range 1 - 9	BEPRPT#	115
Beeper Volume Max	Beeper Volume Max	PAPBLM	116
Good Read Delay	*No Delay	DLYGRD0	116
	Short Delay (500 ms)	DLYGRD500	116
	Medium Delay (1000 ms)	DLYGRD1000	116
	Long Delay (1500 ms)	DLYGRD1500	116
User-Specified Good Read Delay	Range 0 - 30,000 ms	DLYGRD#####	117
Trigger Modes	*Manual Trigger - Normal	PAPHHF	117
	Manual Trigger - Enhanced (not supported by Granit 1980i and 1981i)	PAPHHS	117
Trigger Toggle	*Trigger Toggle Off	TRGTGM0	118
	Trigger Toggle - Image Capture	TRGTGM1	118
	Trigger Toggle Off - Cell Phone Read	TRGTGM2	118
	Trigger Toggle Off - Centering	TRGTGM3	118
Trigger Number	2 Quick Triggers	TRGTPC2	118
	3 Quick Triggers	TRGTPC3	118
	4 Quick Triggers	TRGTPC4	118
Trigger Timing	Trigger Timing (Range 50 - 2000) *400	TRGTTI####	118
Trigger Toggle Timeout	Trigger Toggle Timeout (Range 0 - 65) *5	TRGTGT##	119
Serial Trigger Mode	Read Time-Out (0 - 300,000 ms) *30,000	TRGSTO####	119
Presentation Mode	Presentation Mode	PAPTPR	120
Presentation LED Behavior After Decode	*LEDs On	TRGPCK1	120
	LEDs Off	TRGPCK0	120

Selection	Setting * Indicates default	Serial Command # Indicates a numeric entry	Page
Presentation Sensitivity (not supported by Granit 1980i and 1981i)	Range 0-20 (*1)	TRGPMS##	120
Presentation Centering Window	Presentation Centering On	PDCWIN1	122
	*Presentation Centering Off	PDCWIN0	122
	Left of Presentation Centering Window (*40%)	PDCLFT###	122
	Right of Presentation Centering Window (*60%)	PDCRGT###	122
	Top of Presentation Centering Window (*40%)	PDCTOP###	122
	Bottom of Presentation Centering Window (*60%)	PDCBOT###	122
In-Stand Sensor Mode	Sensor On	TRGSSW1	123
	Sensor Off	TRGSSW0	123
Poor Quality Codes	Poor Quality 1D Reading On	DECLDI1	123
	*Poor Quality 1D Reading Off	DECLDIO	123
	Poor Quality PDF Reading On	PDFXPR1	124
	*Poor Quality PDF Reading Off	PDFXPRO	124
CodeGate	*CodeGate Off Out-of-Stand	AOSCGD0.	124
	CodeGate On Out-of-Stand	AOSCGD1.	124
Streaming Presentation	Streaming Presentation Mode - Normal	PAPSPN	125
	Streaming Presentation Mode - Enhanced (not supported by Granit 1980i and 1981i)	PAPSPE	125
Mobile Phone Read Mode (not supported by Granit 1980i and 1981i)	Hand Held Scanning - Mobile Phone	PAPHHC	125
	Streaming Presentation - Mobile Phone	PAPSPC	125
Hands Free Time-Out	Range 0 - 300,000 ms	TRGPTO#####	126
Reread Delay	Short (500 ms)	DLYRRD500	126
	*Medium (750 ms)	DLYRRD750	126
	Long (1000 ms)	DLYRRD1000	126
	Extra Long (2000 ms)	DLYRRD2000	126
User-Specified	Range 0 - 30,000 ms	DLYRRD#####	127
2D Reread Delay	*2D Reread Delay Off	DLY2RRO	127
	Short (1000ms)	DLY2RR1000	127
	Medium (2000ms)	DLY2RR2000	127
	Long (3000ms)	DLY2RR3000	127
	Extra Long (4000ms)	DLY2RR4000	127

Selection	Setting * Indicates default	Serial Command # Indicates a numeric entry	Page
Character Activation Mode	*Off	HSTCEN0	127
	On	HSTCEN1	127
	Activation Character (Range 0-255) *12 [DC2]	HSTACH###	128
	Do Not End Character Activation After Good Read	HSTCGD0	128
	End Character Activation After Good Read	HSTCGD1	128
	Character Activation Timeout (Range 1 - 300,000) *30,000 ms	HSTCDT#####	129
Character Deactivation Mode	*Off	HSTDEN0	129
	On	HSTDEN1	129
	Deactivation Character (Range 0-255) *14 [DC4]	HSTDCH###	129
Illumination Lights	*Lights On	SCNLED1	130
	Lights Off	SCNLED0	130
Aimer Delay	200 milliseconds	SCNDLY200	130
	400 milliseconds	SCNDLY400	130
	*Off (no delay)	SCNDLY0	130
User-Specified Aimer Delay	Range 0 - 4,000 ms	SCNDLY#####	131
Aimer Mode (not supported by Granit 1980i and 1981i)	Off	SCNAIM0	131
	*Interlaced	SCNAIM2	131
Single Code Centering	Single Code Centering	DECWIN1;DECTOP49;DECBOT51;DECRGT51;DECLFT49	132
Centering Window	Centering On	DECWIN1	133
	*Centering Off	DECWIN0	133
	Left of Centering Window (*40%)	DECLFT###	134
	Right of Centering Window (*60%)	DECRGT###	134
	Top of Centering Window (*40%)	DECTOP###	134
	Bottom of Centering Window (*60%)	DECBOT###	134
Preferred Symbology	On	PRFENA1	134
	*Off	PRFENA0	135
	High Priority Symbology	PRFCOD##	135
	Low Priority Symbology	PRFBLK##	135
	Preferred Symbology Timeout (*500) Range 100-3000	PRFPTO#####	135
	Preferred Symbology Default	PRFDFT	136
Output Sequence Editor	Enter Sequence	SEQBLK	138
	Default Sequence	SEQDFT	138

Selection	Setting * Indicates default	Serial Command # Indicates a numeric entry	Page
Partial Sequence	Transmit Partial Sequence	SEQTTS1	139
	*Discard Partial Sequence	SEQTTS0	139
Require Output Sequence	Required	SEQ_EN2	139
	On/Not Required	SEQ_EN1	139
	*Off	SEQ_EN0	139
Multiple Symbols	On	SHOTGN1	139
	*Off	SHOTGN0	139
No Read	On	SHWNRD1	140
	*Off	SHWNRD0	140
Video Reverse	Video Reverse Only	VIDREV1	141
	Video Reverse and Standard Bar Codes	VIDREV2	141
	*Video Reverse Off	VIDREV0	141
Working Orientation	*Upright	ROTATN0	141
	Vertical, Bottom to Top (Rotate CCW 90°)	ROTATN1	142
	Upside Down	ROTATN2	142
	Vertical, Top to Bottom (Rotate CW 90°)	ROTATN3	142
Healthcare Selections			
Quiet Operations - Combination Codes	Silent Mode with Flashing LED - Cordless Scanner and Base	beplfn5;beplfr50;beppar0;basplr0;beppwr0;baslv0;beplvl0;bepbip0;beplfq12700;beplot0.	143
	Silent Mode with Flashing LED - Corded Scanner	beplfn5;beplfr50;beppwr0;beplvl0;bepbip0;beplfq12700;beplot0.	143
	Silent Mode with Long LED - Cordless Scanner and Base	beplfn0;beplfr10;beppar0;basplr0;beppwr0;baslv0;beplvl0;bepbip0;beplfq12700;beplot1.	144
	Silent Mode with Long LED - Corded Scanner	beplfn0;beplfr10;beppwr0;beplvl0;bepbip0;beplfq12700;beplot1.	144
	Very Low Beeper (Nighttime Mode) - Cordless Scanner and Base	beplfn0;beplfr10;beppar0;basplr0;beppwr1;baslv1;beplvl1;bepbip1;beplfq14200;beplot0.	144
	Very Low Beeper (Nighttime Mode) - Corded Scanner	beplfn0;beplfr10;beppwr1;beplvl1;bepbip1;beplfq14200;beplot0.	144
	Low Beeper (Daytime Mode) - Cordless Scanner and Base	beplfn0;beplfr10;beppar1;basplr1;beppwr1;baslv1;beplvl1;bepbip0;beplfq12700;beplot0.	145

Selection	Setting * Indicates default	Serial Command # Indicates a numeric entry	Page
	Low Beeper (Daytime Mode) - Corded Scanner	beplfn0;beplfr10;beppwr1;beplv11;bepbip0;beplFQ12700;beplot0.	145
Quiet Operations - LED and Volume Settings			
Linking LED Colors and Sound	*Green LED Flashes/Sound	BEPPAR1	145
	Red LED Flashes/Silent	BEPPAR0	145
Number of LED Flashes	*1 LED Flash	BEPLFN0	146
	5 LED Flashes	BEPLFN5	146
	10 LED Flashes	BEPLFN10	146
	25 LED Flashes	BEPLFN25	146
LED Flash Rate	*Fast Flash	BEPLFR50	146
	Medium Flash	BEPLFR250	146
	Slow Flash	BEPLFR500	146
LED Solid (No Flash)	*LED Solid Off (Resume Flash)	BEPLOT0	147
	LED Solid 1 Second	BEPLOT1	147
	LED Solid 3 Seconds	BEPLOT3	147
	LED Solid 5 Seconds	BEPLOT5	147
Page Volume Control	Page Volume Off	BEPPGV0	147
	*Page Volume Low	BEPPGV1	147
	Page Volume Medium	BEPPGV2	148
	Page Volume High	BEPPGV3	148
Out-of-Range Alarm Volume	Base Alarm Volume Off	BASORV0	148
	Scanner Alarm Volume Off	BT_ORV0	148
	*Base Alarm Volume Low	BASORV1	148
	*Scanner Alarm Volume Low	BT_ORV1	148
	Base Alarm Volume Medium	BASORV2	148
	Scanner Alarm Volume Medium	BT_ORV2	149
	Base Alarm Volume High	BASORV3	149
	Scanner Alarm Volume High	BT_ORV3	149
Out-of-Range Delay	Out-of-Range Delay (*0 No Delay) Range 0-3000	BT_ORY####	149
Prefix/Suffix Selections			
Add CR Suffix to All Symbologies		VSUF CR	153
Prefix	Add Prefix	PREBK2##	153
	Clear One Prefix	PRECL2	153
	Clear All Prefixes	PRECA2	153

Selection	Setting * Indicates default	Serial Command # Indicates a numeric entry	Page
Suffix	Add Suffix	SUFBK2##	153
	Clear One Suffix	SUFCL2	153
	Clear All Suffixes	SUFCA2	153
Function Code Transmit	*Enable	RMVFNC0	154
	Disable	RMVFNC1	154
Intercharacter Delay	Range 0 - 1000 (5ms increments)	DLYCHR##	154
User Specified Intercharacter Delay	Delay Length 0 - 1000 (5ms increments)	DLYCRX##	155
	Character to Trigger Delay	DLY_XX##	155
Interfunction Delay	Range 0 - 1000 (5ms increments)	DLYFNC##	155
Intermessage Delay	Range 0 - 1000 (5ms increments)	DLYMSG##	156
Data Formatter Selections			
Data Format Editor	*Default Data Format (None)	DFMDF3	158
	Enter Data Format	DFMBK3##	159
	Clear One Data Format	DFMCL3	159
	Clear All Data Formats	DFMCA3	159
Data Formatter	Data Formatter Off	DFM_EN0	173
	*Data Formatter On, Not Required, Keep Prefix/Suffix	DFM_EN1	174
	Data Format Required, Keep Prefix/Suffix	DFM_EN2	174
	Data Formatter On, Not Required, Drop Prefix/Suffix	DFM_EN3	174
	Data Format Required, Drop Prefix/Suffix	DFM_EN4	174
Data Format Non-Match Error Tone	*Data Format Non-Match Error Tone On	DFMDECO	174
	Data Format Non-Match Error Tone Off	DFMDEC1	174
Primary/Alternate Data Formats	Primary Data Format	ALTFNM0	175
	Data Format 1	ALTFNM1	175
	Data Format 2	ALTFNM2	175
	Data Format 3	ALTFNM3	175
Single Scan Data Format Change	Single Scan-Primary Data Format	VSAF_0	175
	Single Scan-Data Format 1	VSAF_1	175
	Single Scan-Data Format 2	VSAF_2	175
	Single Scan-Data Format 3	VSAF_3	176

Selection	Setting * Indicates default	Serial Command # Indicates a numeric entry	Page
Symbologies			
All Symbologies	All Symbologies Off	ALLEN0	178
	All Symbologies On	ALLEN1	178
Codabar	Default All Codabar Settings	CBRDFT	179
	Off	CBRENA0	179
	*On	CBRENA1	179
Codabar Start/Stop Char.	*Don't Transmit	CBRSSX0	179
	Transmit	CBRSSX1	179
Codabar Check Char.	*No Check Char.	CBRCK20	179
	Validate, But Don't Transmit	CBRCK21	179
	Validate, and Transmit	CBRCK22	179
Codabar Concatenation	*Off	CBRCCT0	180
	On	CBRCCT1	180
	Require	CBRCCT2	180
Codabar Message Length	Minimum (2 - 60) *4	CBRMIN##	181
	Maximum (2 - 60) *60	CBRMAX##	181
Code 39	Default All Code 39 Settings	C39DFT	181
	Off	C39ENA0	181
	*On	C39ENA1	181
Code 39 Start/Stop Char.	*Don't Transmit	C39SSX0	181
	Transmit	C39SSX1	181
Code 39 Check Char.	*No Check Char.	C39CK20	182
	Validate, But Don't Transmit	C39CK21	182
	Validate, and Transmit	C39CK22	182
Code 39 Message Length	Minimum (0 - 48) *0	C39MIN##	182
	Maximum (0 - 48) *48	C39MAX##	182
Code 39 Append	*Off	C39APPO	183
	On	C39APP1	183
Code 32 Pharmaceutical (PARAF)	*Off	C39B320	183
	On	C39B321	183
Code 39 Full ASCII	*Off	C39ASCO	183
	On	C39ASC1	183
	Code 39 Code Page	C39DCP	183

Selection	Setting * Indicates default	Serial Command # Indicates a numeric entry	Page
Interleaved 2 of 5	Default All Interleaved 2 of 5 Settings	I25DFT	185
	Off	I25ENA0	185
	*On	I25ENA1	185
Interleaved 2 of 5 Check Digit	*No Check Char.	I25CK20	185
	Validate, But Don't Transmit	I25CK21	185
	Validate, and Transmit	I25CK22	185
Interleaved 2 of 5 Message Length	Minimum (2 - 80) *4	I25MIN##	186
	Maximum (2 - 80) *80	I25MAX##	186
NEC 2 of 5	Default All NEC 2 of 5 Settings	N25DFT	186
	Off	N25ENA0	186
	*On	N25ENA1	186
NEC 2 of 5 Check Digit	*No Check Char.	N25CK20	186
	Validate, But Don't Transmit	N25CK21	186
	Validate, and Transmit	N25CK22	186
NEC 2 of 5 Message Length	Minimum (2 - 80) *4	N25MIN##	187
	Maximum (2 - 80) *80	N25MAX##	187
Code 93	Default All Code 93 Settings	C93DFT	187
	Off	C93ENA0	187
	*On	C93ENA1	187
Code 93 Message Length	Minimum (0 - 80) *0	C93MIN##	188
	Maximum (0 - 80) *80	C93MAX##	188
Code 93 Append	On	C93APP1	188
	*Off	C93APPO	188
Code 93 Code Page	Code 93 Code Page	C93DCP	188
Straight 2 of 5 Industrial	Default All Straight 2 of 5 Industrial Settings	R25DFT	189
	*Off	R25ENA0	189
	On	R25ENA1	189
Straight 2 of 5 Industrial Message Length	Minimum (1 - 48) *4	R25MIN##	189
	Maximum (1 - 48) *48	R25MAX##	189
Straight 2 of 5 IATA	Default All Straight 2 of 5 IATA Settings	A25DFT	190
Straight 2 of 5 IATA	*Off	A25ENA0	190
	On	A25ENA1	190
Straight 2 of 5 IATA Redundancy	Range (0 - 10) *0	A25VOT##	190

Selection	Setting * Indicates default	Serial Command # Indicates a numeric entry	Page
Straight 2 of 5 IATA Message Length	Minimum (1 - 48) *4	A25MIN##	190
	Maximum (1 - 48) *48	A25MAX##	190
Matrix 2 of 5	Default All Matrix 2 of 5 Settings	X25DFT	191
	*Off	X25ENAO	191
	On	X25ENA1	191
Matrix 2 of 5 Message Length	Minimum (1 - 80) *4	X25MIN##	191
	Maximum (1 - 80) *80	X25MAX##	191
Code 11	Default All Code 11 Settings	C11DFT	192
	*Off	C11ENAO	192
	On	C11ENA1	192
Code 11 Check Digits Required	1 Check Digit	C11CK20	192
	*2 Check Digits	C11CK21	192
Code 11 Message Length	Minimum (1 - 80) *4	C11MIN##	192
	Maximum (1 - 80) *80	C11MAX##	192
Code 128	Default All Code 128 Settings	128DFT	193
	Off	128ENAO	193
	*On	128ENA1	193
ISBT Concatenation	*Off	ISBENAO	193
	On	ISBENA1	193
Code 128 Redundancy	Range (0 - 10) *0	128VOT##	193
Code 128 Message Length	Minimum (0 - 80) *0	128MIN##	194
	Maximum (0 - 80) *80	128MAX##	194
Code 128 Append	*On	128APP1	194
	Off	128APPO	194
Code 128 Code Page	Code 128 Code Page (*2)	128DCP##	194
GS1-128	Default All GS1-128 Settings	GS1DFT	195
	*On	GS1ENA1	195
	Off	GS1ENAO	195
GS1-128 Message Length	Minimum (1 - 80) *1	GS1MIN##	195
	Maximum (0 - 80) *80	GS1MAX##	195
Telepen	Default All Telepen Settings	TELDFT	196
	*Off	TELENAO	196
	On	TELENA1	196
Telepen Output	*AIM Telepen Output	TELOLD0	196
	Original Telepen Output	TELOLD1	196

Selection	Setting * Indicates default	Serial Command # Indicates a numeric entry	Page
Telepen Message Length	Minimum (1 - 60) *1	TELMIN##	196
	Maximum (1 - 60) *60	TELMAX##	196
UPC-A	Default All UPC-A Settings	UPADFT	197
	Off	UPBENA0	197
	*On	UPBENA1	197
UPC-A Check Digit	Off	UPACKX0	197
	*On	UPACKX1	197
UPC-A Number System	Off	UPANSX0	198
	*On	UPANSX1	198
UPC-A 2 Digit Addenda	*Off	UPAAD20	198
	On	UPAAD21	198
UPC-A 5 Digit Addenda	*Off	UPAAD50	198
	On	UPAAD51	198
UPC-A Addenda Required	*Not Required	UPAARQ0	198
	Required	UPAARQ1	198
Addenda Timeout	Range (0 - 120) *500	DLYADD#####	199
UPC-A Addenda Separator	Off	UPAADS0	199
	*On	UPAADS1	199
UPC-A/EAN-13 with Extended Coupon Code	*Off	CPNENA0	199
	Allow Concatenation	CPNENA1	199
	Require Concatenation	CPNENA2	199
Addenda Timeout	Range (0 - 120) *500	DLYADD#####	200
Coupon GS1 DataBar Output	GS1 Output Off	CPNGS10	200
	GS1 Output On	CPNGS11	200
UPC-E0	Default All UPC-E Settings	UPEDFT	201
	Off	UPEEN00	201
	*On	UPEEN01	201
UPC-E0 Expand	*Off	UPEEXP0	201
	On	UPEEXP1	201
UPC-E0 Addenda Required	Required	UPEARQ1	201
	*Not Required	UPEARQ0	201
Addenda Timeout	Range (0 - 120) *500	DLYADD#####	202
UPC-E0 Addenda Separator	*On	UPEADS1	202
	Off	UPEADS0	202
UPC-E0 Check Digit	Off	UPECKX0	202
	*On	UPECKX1	202

Selection	Setting * Indicates default	Serial Command # Indicates a numeric entry	Page
UPC-E0 Leading Zero	Off	UPENSX0	203
	*On	UPENSX1	203
UPC-E0 Addenda	2 Digit Addenda On	UPEAD21	203
	*2 Digit Addenda Off	UPEAD20	203
	5 Digit Addenda On	UPEAD51	203
	*5 Digit Addenda Off	UPEAD50	203
UPC-E1	*Off	UPEEN10	203
	On	UPEEN11	203
EAN/JAN-13	Default All EAN/ JAN Settings	E13DFT	204
	Off	E13ENAO	204
	*On	E13ENA1	204
Convert UPC-A to EAN-13	UPC-A Converted to EAN-13	UPAENAO	204
	Do not Convert UPC-A	UPAENA1	204
EAN/JAN-13 Check Digit	Off	E13CKX0	205
	*On	E13CKX1	205
EAN/JAN-13 2 Digit Addenda	2 Digit Addenda On	E13AD21	205
	*2 Digit Addenda Off	E13AD20	205
	5 Digit Addenda On	E13AD51	205
	*5 Digit Addenda Off	E13AD50	205
EAN/JAN-13 Addenda Required	*Not Required	E13ARQ0	205
	Required	E13ARQ1	205
Addenda Timeout	Range (0 - 120) *500	DLYADD#####	206
EAN/JAN-13 Addenda Separator	Off	E13ADS0	206
	*On	E13ADS1	206
ISBN Translate	*Off	E13ISB0	206
	On	E13ISB1	206
EAN/JAN-8	Default All EAN/ JAN 8 Settings	EA8DFT	207
	Off	EA8ENAO	207
	*On	EA8ENA1	207
EAN/JAN-8 Check Digit	Off	EA8CKX0	207
	*On	EA8CKX1	207
EAN/JAN-8 Addenda	*2 Digit Addenda Off	EA8AD20	207
	2 Digit Addenda On	EA8AD21	207
	*5 Digit Addenda Off	EA8AD50	207
	5 Digit Addenda On	EA8AD51	207

Selection	Setting * Indicates default	Serial Command # Indicates a numeric entry	Page
EAN/JAN-8 Addenda Required	*Not Required	EA8ARQ0	208
	Required	EA8ARQ1	208
Addenda Timeout	Range (0 - 120) *500	DLYADD#####	208
EAN/JAN-8 Addenda Separator	Off	EA8ADS0	208
	*On	EA8ADS1	208
MSI	Default All MSI Settings	MSIDFT	209
	*Off	MSIENA0	209
	On	MSIENA1	209
MSI Check Character	*Validate Type 10, but Don't Transmit	MSICK0	209
	Validate Type 10 and Transmit	MSICK1	209
	Validate 2 Type 10 Chars, but Don't Transmit	MSICK2	210
	Validate 2 Type 10 Chars and Transmit	MSICK3	210
	Validate Type 11 then Type 10 Char, but Don't Transmit	MSICK4	210
	Validate Type 11 then Type 10 Char and Transmit	MSICK5	210
	Disable MSI Check Characters	MSICK6	210
MSI Message Length	Minimum (4 - 48) *4	MSIMIN##	210
	Maximum (4 - 48) *48	MSIMAX##	210
GS1 DataBar Omnidirectional	Default All GS1 DataBar Omnidirectional Settings	RSSDFT	211
	Off	RSEENA0	211
	*On	RSEENA1	211
GS1 DataBar Limited	Default All GS1 DataBar Limited Settings	RSLDFT	211
	Off	RSEENA0	211
	*On	RSEENA1	211
GS1 DataBar Expanded	Default All GS1 DataBar Expanded Settings	RSEDFT	212
	Off	RSEENA0	212
	*On	RSEENA1	212
GS1 DataBar Expanded Msg. Length	Minimum (4 - 74) *4	RSEMIN##	212
	Maximum (4 - 74) *74	RSEMAX##	212
Trioptic Code	*Off	TRIENA0	212
	On	TRIENA1	212

Selection	Setting * Indicates default	Serial Command # Indicates a numeric entry	Page
Codablock A	Default All Codablock A Settings	CBADFT	213
	*Off	CBAENA0	213
	On	CBAENA1	213
Codablock A Msg. Length	Minimum (1 - 600) *1	CBAMIN###	213
	Maximum (1 - 600) *600	CBAMAX###	213
Codablock F	Default All Codablock F Settings	CBFDFT	214
	*Off	CBFENA0	214
	On	CBFENA1	214
Codablock F Msg. Length	Minimum (1 - 2048) *1	CBFMIN####	214
	Maximum (1 - 2048) *2048	CBFMAX####	214
Label Code	On	LBLENA1	214
	* Off	LBLENA0	214
PDF417	Default All PDF417 Settings	PDFDFT	215
	*On	PDFENA1	215
	Off	PDFENA0	215
PDF417 Msg. Length	Minimum (1-2750) *1	PDFMIN####	215
	Maximum (1-2750) *2750	PDFMAX####	215
MacroPDF417	*On	PDFMAC1	216
	Off	PDFMAC0	216
MicroPDF417	Default All Micro PDF417 Settings	MPDDFT	216
	On	MPDENA1	216
	*Off	MPDENA0	216
MicroPDF417 Msg. Length	Minimum (1-366) *1	MPDMIN###	216
	Maximum (1-366) *366	MPDMAX###	216
GS1 Composite Codes	On	COMENA1	217
	*Off	COMENA0	217
UPC/EAN Version	On	COMUPC1	217
	*Off	COMUPC0	217
GS1 Composite Codes Msg. Length	Minimum (1-2435) *1	COMMIN####	217
	Maximum (1-2435) *2435	COMMAX####	217
GS1 Emulation	GS1-128 Emulation	EANEMU1	218
	GS1 DataBar Emulation	EANEMU2	217
	GS1 Code Expansion Off	EANEMU3	218
	EAN8 to EAN13 Conversion	EANEMU4	218
	*GS1 Emulation Off	EANEMU0	218
TCIF Linked Code 39	On	T39ENA1	219
	*Off	T39ENA0	219

Selection	Setting * Indicates default	Serial Command # Indicates a numeric entry	Page
QR Code	Default All QR Code Settings	QRCDFT	219
	*On	QRCENA1	219
	Off	QRCENA0	219
QR Code Msg. Length	Minimum (1-7089) *1	QRCMIN####	219
	Maximum (1-7089) *7089	QRCMAX####	219
QR Code Append	*On	QRCAPP1	220
	Off	QRCAPP0	220
QR Code Page	QR Code Page (*3)	QRCDCP##	220
Data Matrix	Default All Data Matrix Settings	IDMDFT	221
	*On	IDMENA1	221
	Off	IDMENA0	221
Data Matrix Msg. Length	Minimum (1-3116) *1	IDMMIN####	221
	Maximum (1-3116) *3116	IDMMAX####	221
Data Matrix Append	*On	IDMAPP1	221
	Off	IDMAPPO	221
Data Matrix Code Page	Data Matrix Code Page (*51)	IDMDCP##	222
MaxiCode	Default All MaxiCode Settings	MAXDFT	222
	On	MAXENA1	222
	*Off	MAXENA0	222
MaxiCode Msg. Length	Minimum (1-150) *1	MAXMIN###	223
	Maximum (1-150) *150	MAXMAX###	223
Aztec Code	Default All Aztec Code Settings	AZTDFT	223
	*On	AZTENA1	223
	Off	AZTENA0	223
Aztec Code Msg. Length	Minimum (1-3832) *1	AZTMIN####	223
	Maximum (1-3832) *3832	AZTMAX####	223
Aztec Append	*On	AZTAPP1	224
	Off	AZTAPP0	224
Aztec Code Page	Aztec Code Page (*51)	AZTDCP##	224
Chinese Sensible (Han Xin) Code	Default All Han Xin Code Settings	HX_DFT	224
	On	HX_ENA1	224
	*Off	HX_ENA0	224
Chinese Sensible (Han Xin) Code Msg. Length	Minimum (1-7833) *1	HX_MIN####	225
	Maximum (1-7833) *7833	HX_MAX####	225
Postal Codes - 2D			
2D Postal Codes	*Off	POSTALO	225

Selection	Setting * Indicates default	Serial Command # Indicates a numeric entry	Page
Single 2D Postal Codes	Australian Post On	POSTAL1	225
	British Post On	POSTAL7	225
	Canadian Post On	POSTAL30	225
	Intelligent Mail Bar Code On	POSTAL10	226
	Japanese Post On	POSTAL3	226
	KIX Post On	POSTAL4	226
	Planet Code On	POSTAL5	226
	Postal-4i On	POSTAL9	226
	Postnet On	POSTAL6	226
	Postnet with B and B' Fields On	POSTAL11	226
	InfoMail On	POSTAL2	226
Combination 2D Postal Codes	InfoMail and British Post On	POSTAL8	226
	Intelligent Mail Bar Code and Postnet with B and B' Fields On	POSTAL20	227
	Postnet and Postal-4i On	POSTAL14	227
	Postnet and Intelligent Mail Bar Code On	POSTAL16	227
	Postal-4i and Intelligent Mail Bar Code On	POSTAL17	227
	Postal-4i and Postnet with B and B' Fields On	POSTAL19	227
	Planet and Postnet On	POSTAL12	227
	Planet and Postnet with B and B' Fields On	POSTAL18	227
	Planet and Postal-4i On	POSTAL13	227
	Planet and Intelligent Mail Bar Code On	POSTAL15	227
	Planet, Postnet, and Postal-4i On	POSTAL21	227
	Planet, Postnet, and Intelligent Mail Bar Code On	POSTAL22	228
	Planet, Postal-4i, and Intelligent Mail Bar Code On	POSTAL23	228
	Postnet, Postal-4i, and Intelligent Mail Bar Code On	POSTAL24	228
	Planet, Postal-4i, and Postnet with B and B' Fields On	POSTAL25	228
	Planet, Intelligent Mail Bar Code, and Postnet with B and B' Fields On	POSTAL26	228
	Postal-4i, Intelligent Mail Bar Code, and Postnet with B and B' Fields On	POSTAL27	228

Selection	Setting * Indicates default	Serial Command # Indicates a numeric entry	Page
	Planet, Postal-4i, Intelligent Mail Bar Code, and Postnet On	POSTAL28	228
	Planet, Postal-4i, Intelligent Mail Bar Code, and Postnet with B and B' Fields On	POSTAL29	228
Planet Code Check Digit	Transmit	PLNCKX1	229
	*Don't Transmit	PLNCKX0	229
Postnet Check Digit	Transmit	NETCKX1	229
	*Don't Transmit	NETCKX0	229
Australian Post Interpretation	Bar Output	AUSINT0	229
	Numeric N Table	AUSINT1	230
	Alphanumeric C Table	AUSINT2	230
	Combination N and C Tables	AUSINT3	230
Postal Codes - Linear			
China Post (Hong Kong 2 of 5)	Default All China Post (Hong Kong 2 of 5) Settings	CPCDFT	230
	*Off	CPCENA0	230
	On	CPCENA1	230
China Post (Hong Kong 2 of 5) Msg. Length	Minimum (2 - 80) *4	CPCMIN##	230
	Maximum (2 - 80) *80	CPCMAX##	230
Korea Post	Default All Korea Post Settings	KPCDFT	231
	*Off	KPCENA0	231
	On	KPCENA1	231
Korea Post Msg. Length	Minimum (2 - 80) *4	KPCMIN##	231
	Maximum (2 - 80) *48	KPCMAX##	231
Korea Post Check Digit	Transmit Check Digit	KPCCHK1	231
	*Don't Transmit Check Digit	KPCCHK0	231
Imaging Default Commands			
Image Snap	Default all Imaging Commands	IMGDFT	233
	Imaging Style - Decoding	SNPSTY0	234
	*Imaging Style - Photo	SNPSTY1	234
	Imaging Style - Manual	SNPSTY2	234
	Beeper On	SNPBEP1	234
	*Beeper Off	SNPBEP0	234
	*Wait for Trigger Off	SNPTRG0	235
	Wait for Trigger On	SNPTRG1	235
	*LED State - Off	SNPLED0	235
	LED State - On	SNPLED1	235
	Exposure (1-7874 microseconds)	SNPEXP	235

Selection	Setting * Indicates default	Serial Command # Indicates a numeric entry	Page
	*Gain - None	SNPGAN1	236
	Gain - Medium	SNPGAN2	236
	Gain - Heavy	SNPGAN4	236
	Gain - Maximum	SNPGAN8	236
	Target White Value (0-255) *125	SNPWHT###	236
	Delta for Acceptance (0-255) *25	SNPDEL###	236
	Update Tries (0-10) *6	SNPTRY##	237
	Target Set Point Percentage (1-99) *50	SNPPCT##	237
Image Ship	*Infinity Filter - Off	IMGINFO	238
	Infinity Filter - On	IMGINF1	238
	*Compensation Off	IMGCOR0	238
	Compensation On	IMGCOR1	238
	*Pixel Depth - 8 bits/pixel (grayscale)	IMGBPP8	238
	Pixel Depth - 1 bit/pixel (B&W)	IMGBPP1	238
	*Don't Sharpen Edges	IMGEDG0	239
	Sharpen Edges (0-23)	IMGEDG##	239
	*File Format - JPEG	IMGFMT6	240
	File Format - KIM	IMGFMT0	240
	File Format - TIFF binary	IMGFMT1	240
	File Format - TIFF binary group 4, compressed	IMGFMT2	240
	File Format - TIFF grayscale	IMGFMT3	240
	File Format - Uncompressed binary	IMGFMT4	240
	File Format - Uncompressed grayscale	IMGFMT5	240
	File Format - BMP	IMGFMT8	240
	*Histogram Stretch Off	IMGHIS0	240
	Histogram Stretch On	IMGHIS1	240
	*Noise Reduction Off	IMGFSP0	241
	Noise Reduction On	IMGFSP1	241
	Invert Image around X axis	IMGNVX1	241
	Invert Image around Y axis	IMGNVY1	241
	Rotate Image none	IMGROTO	242
	Rotate Image 90° right	IMGROT1	242
	Rotate Image 180° right	IMGROT2	242
	Rotate Image 90° left	IMGROT3	242

Selection	Setting * Indicates default	Serial Command # Indicates a numeric entry	Page
	JPEG Image Quality (0-100) *50	IMGJQF###	242
	*Gamma Correction Off	IMGGAM0	243
	Gamma Correction On (0-1000)	IMGGAM###	243
	Image Crop - Left (0-843) *0	IMGWNL###	243
	Image Crop - Right (0-843) *843	IMGWNR###	243
	Image Crop - Top (0-639) *0	IMGWNT###	243
	Image Crop - Bottom (0-639) *639	IMGWNB###	244
	Image Crop - Margin (1-238) *0	IMGMAR###	244
	Protocol - None (raw)	IMGXFRO	244
	Protocol - None (default USB)	IMGXFR2	244
	Protocol - Hmodem Compressed	IMGXFR3	244
	Protocol - Hmodem	IMGXFR4	244
	Ship Every Pixel	IMGSUB1	245
	Ship Every 2nd Pixel	IMGSUB2	245
	Ship Every 3rd Pixel	IMGSUB3	245
	*Document Image Filter Off	IMGUSH0	245
	Document Image Filter On (0- 255)	IMGUSH###	245
	*Don't Ship Histogram	IMGHST0	246
	Ship Histogram	IMGHST1	246
Image Size Compatibility	Force VGA Resolution	IMGVGA1	246
	*Native Resolution	IMGVGA0	247
Intelligent Signature Capture	Optimize On	DECBND1	247
	*Optimize Off	DECBND0	247
Utilities			
Add Code I.D. Prefix to All Symbolologies (Temporary)		PRECA2,BK2995C80!	253
Show Decoder Revision		REV_DR	253
Show Scan Driver Revision		REV_SD	253
Show Software Revision		REVINF	254
Show Data Format		DFMBK3?	254
Test Menu	On	TSTMNU1	254
	*Off	TSTMNU0	254
Application Plug-Ins (Apps)	*Decoding Apps On	PLGDCE1	255
	Decoding Apps Off	PLGDCE0	255
	*Formatting Apps On	PLGFOE1	255
	Formatting Apps Off	PLGFOE0	255
	List Apps	PLGINF	255

Selection	Setting * Indicates default	Serial Command # Indicates a numeric entry	Page
Reset the Factory Defaults	Remove Custom Defaults	DEFOVR	257
	Activate Defaults	DEFAULT	257

Xenon 1900/1900h/1910 Corded Scanner Product Specifications

Parameter	Specification
Mechanical	
Height	6.3 inches (160mm)
Length	4.1 inches (104.1mm)
Width	2.8 inches (71.1mm)
Weight	5.2 ounces (147.42g)
Electrical	
Voltage Requirements	4 - 5.5 VDC at input connector
Current Draw @5VDC B&W Color	ScanningStandby 470mA, 2.35W90mA, .45W 490mA, 2.45W90mA, .45W
Power Supply Noise Rejection	Maximum 100mV peak to peak, 10 to 100 kHz
Illumination LED: Peak Wavelength	624nm ± 18nm (red LED) IEC 62471: "Exempt Risk Group" 442nm, 552nm (white LED) IEC 62471: "Exempt Risk Group"
Aiming: Peak Wavelength Laser Peak Wavelength LED Optical Power Laser	650nm IEC 60825-1: "Class 2" 624nm ± 18nm (red LED) 520nm ± 18nm (green LED) IEC 62471: "Exempt Risk Group" <1mW
Environmental	
Temperature Ranges: Operating	+32°F to +122°F (0°C to 50°C)

Parameter (Continued)	Specification
Storage	-40°F to +158°F (-40°C to 70°C)
Humidity	0 to 95% non-condensing
Mechanical Drop	Operational after 50 drops from 6 feet (1.83m) to concrete at 23°C
Vibration	Withstands 5G peak from 22 to 300 Hz
ESD Tolerance	Up to 15kV direct air Up to 8 kV indirect coupling plane
Image	
Image Size	838 x 640 pixels
Scan Performance	
Skew Angle	±65°
Pitch Angle	±45°
Motion Tolerance: Streaming Presentation Trigger	up to 240 inches per second for 13 mil UPC
Symbol Contrast	Grade 1.0 (20% or greater)

Xenon 1902/1902h/1912 Cordless Scanner Product Specifications

Parameter	Specification
Mechanical	
Height	6.3 inches (160mm)
Length	4.1 inches (104.1mm)
Width	2.8 inches (71.1mm)
Weight	7.5 ounces (212.62g)
Electrical	
Illumination LED: Peak Wavelength	624nm ± 18nm (red LED) IEC 62471: "Exempt Risk Group" 442nm, 552nm (white LED) IEC 62471: "Exempt Risk Group"
Aiming: Peak Wavelength Laser Peak Wavelength LED Optical Power Laser	650nm IEC 60825-1: "Class 2" 624nm ± 18nm (red LED) 520nm ± 18nm (green LED) IEC 62471: "Exempt Risk Group" <1mW
Battery	
Lithium Ion	2400 mAh minimum

Parameter (Continued)	Specification
Number of Scans	Up to 50,000 per charge
Expected Hours of Operation	14
Expected Charge Time	4.5 hours
Radio	
Frequency	2.4 to 2.5 GHz (ISM Band) Frequency Hopping Bluetooth v.2.1
Range	33 ft. (10 m) typical
Data Rate	Up to 1 MBps
Environmental	
Temperature Ranges: Operating	32° F to +122° F (0° C to 50° C)
Storage with battery*	-4°F to +95°F (-20°C to 35°C) for storage up to 90 days -4°F to +68°F (-20°C to 20°C) for storage up to 365 days
Storage without battery	-40°F to +158°F (-40°C to 70°C)
Humidity	Up to 95% non-condensing
Mechanical Drop	Operational after 50 drops from 6 feet (1.8 m) to concrete
Vibration	Withstands 5G peak from 22 to 300 Hz
ESD Sensitivity	Up to 15kV direct air Up to 8 kV indirect coupling plane
Sealant Rating	IP41
Image	
Image Size	838 x 640 pixels
Scan Performance	
Skew Angle	±65°
Pitch Angle	±45°
Motion Tolerance: Streaming Presentation Trigger	up to 240 inches per second for 13 mil UPC
Symbol Contrast	Grade 1.0 (20% or greater)

*Storage outside of this temperature range could be detrimental to battery life.

Xenon 1902g-BF Scanner Product Specifications

Parameter	Specification
Mechanical	
Height	6.3 inches (160mm)
Length	4.1 inches (104.1mm)
Width	2.8 inches (71.1mm)
Weight	6.9 ounces (195g)
Electrical	
Illumination LED: Peak Wavelength	624nm \pm 18nm (red LED) IEC 62471: "Exempt Risk Group" 442nm, 552nm (white LED) IEC 62471: "Exempt Risk Group"
Aiming: Peak Wavelength Laser Peak Wavelength LED Optical Power Laser	650nm IEC 60825-1: "Class 2" 624nm \pm 18nm (red LED) 520nm \pm 18nm (green LED) IEC 62471: "Exempt Risk Group" <1mW
Radio	
Frequency	2.4 to 2.5 GHz (ISM Band) Frequency Hopping Bluetooth v.2.1
Range	33 ft. (10 m) typical
Data Rate	Up to 1 MBps
Environmental	
Temperature Ranges: Operating Storage	32° F to +122° F (0° C to 50° C) -40°F to +158°F (-40°C to 70°C)
Humidity	Up to 95% non-condensing
Mechanical Drop	Operational after 50 drops from 3.3 feet (1 m) to concrete
Vibration	Withstands 5G peak from 22 to 300 Hz
ESD Sensitivity	Up to 15kV direct air Up to 8 kV indirect coupling plane
Sealant Rating	IP41
Image	
Image Size	838 x 640 pixels
Scan Performance	
Skew Angle	\pm 65°
Pitch Angle	\pm 45°

Parameter (Continued)	Specification
Motion Tolerance:	Up to 240 inches per second for 13 mil UPC
Symbol Contrast	Grade 1.0 (20% or greater)

Granit 1910i Industrial Corded Scanner Product Specifications

Parameter	Specification
Mechanical	
Height	7.7 in. (195.6mm)
Length	5.2 in. (132.1mm)
Width	2.9 in. (73.7mm)
Weight	10.6 oz. (300g)
Electrical	
Voltage Requirements	4 - 5.5 VDC at input connector
Current Draw @5VDC	ScanningStandby 470mA, 2.35W100mA, 5W
Power Supply Noise Rejection	Maximum 100mV peak to peak, 10 to 100 kHz
Illumination LED: Peak Wavelength	624nm \pm 18nm (red LED) IEC 62471: "Exempt Risk Group"
Aiming: Peak Wavelength Laser	650nm IEC 60825-1: "Class 2"
Optical Power Laser	<1mW
Environmental	
Temperature Ranges: Operating	-22°F to +122°F (-30°C to 50°C)
Storage	-40°F to +158°F (-40°C to 70°C)
Humidity	0 to 95% non-condensing
Mechanical Drop	Operational after 50 drops from 6.5 feet (1.98m) to concrete at 23°, -30°, and 50°C
Vibration	Complies with MIL-STD-810G, Method 514.6, Annex C
ESD Tolerance	Up to 20kV direct air Up to 8 kV indirect coupling plane
Sealant Rating	IP65
Image	
Image Size	838 x 640 pixels
Scan Performance	

Parameter (Continued)	Specification
Skew Angle	±65°
Pitch Angle	±45°
Motion Tolerance: Streaming Presentation Trigger: 13 mil UPC	240 inches per second at 6.5 in. (16.5cm) 150 inches per second at 10 in. (25.4cm)
Symbol Contrast	Grade 1.0 (20% or greater)

Granit 1911i Industrial Cordless Scanner Product Specifications

Parameter	Specification
Mechanical	
Height	7.7 in. (195.6mm)
Length	5.2 in. (132.1mm)
Width	2.9 in. (73.7mm)
Weight	13.8 oz. (390g)
Electrical	
Illumination LED: Peak Wavelength	624nm ± 18nm (red LED) IEC 62471: "Exempt Risk Group"
Aiming: Peak Wavelength Laser Optical Power Laser	650nm IEC 60825-1: "Class 2" <1mW
Battery	
Lithium Ion Number of Scans Expected Hours of Operation Expected Charge Time	1800 mAh minimum Up to 50,000 per charge 14 4.5 hours
Radio	
Frequency Range Data Rate	2.4 to 2.5 GHz (ISM Band) Frequency Hopping Bluetooth v.2.1 330 ft. (100m) typical Up to 1 Mbps
Environmental	

Parameter (Continued)	Specification
Temperature Ranges: Operating while not charging Operating while charging Storage with battery*	-4°F to + 122°F (-20°C to 50°C) 41°F to + 104°F (5°C to 40°C) -4°F to +95°F (-20°C to 35°C) for storage up to 90 days -4°F to +68°F (-20°C to 20°C) for storage up to 365 days
Storage without battery	-40°F to +158°F (-40°C to 70°C)
Humidity	Up to 95% non-condensing
Mechanical Drop	Operational after 50 drops from 6.5 feet (1.98m) to concrete at 23°, -30°, and 50°C
Vibration	Complies with MIL-STD-810G, Method 514.6, Annex C
ESD Sensitivity	Up to 20kV direct air Up to 8 kV indirect coupling plane
Sealant Rating	IP65
Image	
Image Size	838 x 640 pixels
Scan Performance	
Skew Angle	±65°
Pitch Angle	±45°
Motion Tolerance: Streaming Presentation Trigger: 13 mil UPC	240 inches per second at 6.5 in. (16.5cm) 150 inches per second at 10 in. (25.4cm)
Symbol Contrast	Grade 1.0 (20% or greater)

*Storage outside of this temperature range could be detrimental to battery life.

Granit 1980i Industrial Full Range Corded Scanner Product Specifications

Parameter	Specification
Mechanical	
Height	7.7 in. (195.6mm)
Length	5.2 in. (132.1mm)
Width	2.9 in. (73.7mm)
Weight	11.8 oz. (335g)
Electrical	
Voltage Requirements	4 - 5.5 VDC at input connector

Parameter (Continued)	Specification
Current Draw @5VDC	ScanningStandby 470mA, 2.35W100mA, 0.5W
Power Supply Noise Rejection	Maximum 100mV peak to peak, 10 to 100 kHz
Illumination LED: Peak Wavelength	617nm ± 18nm (amber LED) IEC 62471: "Exempt Risk Group"
Aiming: Peak Wavelength Laser Optical Power Laser	650nm IEC 60825-1: "Class 2" <1mW
Environmental	
Temperature Ranges: Operating Storage	-22°F to +122°F (-30°C to 50°C) -40°F to +158°F (-40°C to 70°C)
Humidity	0 to 95% non-condensing
Mechanical Drop	Operational after 50 drops from 6.5 feet (1.98m) to concrete at 23°, -30°, and 50°C
Vibration	Complies with MIL-STD-810G, Method 514.6, Annex C
ESD Tolerance	Up to 20kV direct air Up to 8 kV indirect coupling plane
Sealant Rating	IP65
Image	
Image Size	1280 x 800 pixels
Scan Performance	
Skew Angle	±80° typical, 200 lux, EAN/UPC
Pitch Angle	±70° typical, 200 lux, EAN/UPC
Motion Tolerance:	30 inches per second typical on 13 mil UPC/EAN bar code 8 in. from scanner nose
Symbol Contrast	1D codes 30% or greater (typical, 200 lux, 13 mil) 2D codes 40% or greater (typical, 200 lux, 20 mil)

Granit 1981i Industrial Full Range Cordless Scanner Product Specifications

Parameter	Specification
Mechanical	
Height	7.7 in. (195.6mm)
Length	5.2 in. (132.1mm)
Width	2.9 in. (73.7mm)

Parameter (Continued)	Specification
Weight	14.8 oz. (420g)
Electrical	
Illumination LED: Peak Wavelength	617nm ± 18nm (amber LED) IEC 62471: "Exempt Risk Group"
Aiming: Peak Wavelength Laser Optical Power Laser	650nm IEC 60825-1: "Class 2" <1mW
Battery	
Battery: Lithium Ion Number of Scans Expected Hours of Operation Expected Charge Time	1800 mAHr minimum at least 7200 scans (1 scan every 4 seconds for 8 hours) 8 4.5 hours
Radio	
Frequency Range Data Rate	2.4 to 2.5 GHz (ISM Band) Frequency Hopping Bluetooth v.2.1 330 ft. (100m) typical Up to 1 MBps
Environmental	
Temperature Ranges: Operating while not charging Operating while charging Storage with battery* Storage without battery	-4°F to + 122°F (-20°C to 50°C) 41°F to + 104°F (5°C to 40°C) -4°F to +95°F (-20°C to 35°C) for storage up to 90 days -4°F to +68°F (-20°C to 20°C) for storage up to 365 days -40°F to +158°F (-40°C to 70°C)
Humidity	Up to 95% non-condensing
Mechanical Drop	Operational after 50 drops from 6.5 feet (1.98m) to concrete at 23°, -30°, and 50°C
Vibration	Complies with MIL-STD-810G, Method 514.6, Annex C
ESD Sensitivity	Up to 20kV direct air Up to 8 kV indirect coupling plane
Sealant Rating	IP65
Image	
Image Size	1280 x 800 pixels
Scan Performance	
Skew Angle	±80° typical, 200 lux, EAN/UPC

Parameter (Continued)	Specification
Pitch Angle	±70° typical, 200 lux, EAN/UPC
Motion Tolerance:	30 inches per second typical on 13 mil UPC/EAN bar code 8 in. from scanner nose
Symbol Contrast	1D codes 30% or greater (typical, 200 lux, 13 mil) 2D codes 40% or greater (typical, 200 lux, 20 mil)

*Storage outside of this temperature range could be detrimental to battery life.

CCB01-010BT Charge Base Product Specifications

Parameter	Specification
Mechanical	
Height	3.2 inches (81.3mm)
Length	5.19 inches (131.8mm)
Width	3.98 inches (101.1mm)
Weight	6.3 oz (179g)
Electrical	
Voltage:	4.5 to 5.5 volts
Current Draw:	
Host Terminal Port	500mA
Aux Power Port	1A
Charge Time	5 hours
Radio	
Frequency	2.4 to 2.5 GHz (ISM Band) Frequency Hopping Bluetooth v.2.1
Range	33 ft. (10 m) typical
Data Rate	Up to 1 Mbps
Environmental	
Temperature Ranges:	
Operating	32° F to +122° F (0° C to +50° C)
Storage	-40° F to +158° F (-40° C to +70° C)
Humidity	Up to 95% non-condensing
Mechanical Drop	Operational after 50 drops from 3.28 feet (1 m) to concrete
Vibration	5G Peak from 22Hz to 300Hz
ESD Sensitivity	Up to 15kV direct air Up to 8 kV indirect coupling plane

CCB01-010BT-BF Charge Base Product Specifications

Parameter	Specification
Mechanical	
Height	3.2 inches (81.3mm)
Length	5.19 inches (131.8mm)
Width	3.98 inches (101.1mm)
Weight	6.3 oz (179g)
Electrical	
Voltage:	4.5 to 5.5 volts
Current Draw:	
Host Terminal Port	500mA
Aux Power Port	1A
Charge Time	From shut down to fully charged: 3 minutes via standard USB only 1 minute via powered USB with external power
Radio	
Frequency	2.4 to 2.5 GHz (ISM Band) Frequency Hopping Bluetooth v.4.2
Range	33 ft. (10 m) typical
Data Rate	Up to 130 kbps
Environmental	
Temperature Ranges:	
Operating	32° F to +122° F (0° C to +50° C)
Battery Charge	32° F to +122° F (0° C to +50° C)
Storage without battery	-40° F to +158° F (-40° C to +70° C)
Humidity	Up to 95% non-condensing
Mechanical Drop	Operational after 50 drops from 3.28 feet (1 m) to concrete
Vibration	5G Peak from 22Hz to 300Hz
ESD Sensitivity	Up to 15kV direct air Up to 8 kV indirect coupling plane

CCB02-100BT/CCB05-100BT Industrial Charge Base Product Specifications

Parameter	Specification
Mechanical	
Height	2.6 in. (66mm)

Parameter (Continued)	Specification
Length	9.8 in. (248.9mm)
Width	4.05 in. (102.9cm)
Weight	10.05 oz. (285g)
Electrical	
Voltage:	4.5 to 5.5 volts
Current Draw:	500mA
Host Terminal Port	
Aux Power Port	
Charge Time	5 hours
Radio	
Frequency	2.4 to 2.5 GHz (ISM Band) Frequency Hopping Bluetooth v.2.1
Range	330 ft. (100m) typical
Data Rate	Up to 1 MBps
Environmental	
Temperature Ranges:	-4° F to +122° F (-20° C to +50° C) 41° F to +104° F (5° C to +40° C) -40° F to +158° F (-40° C to +70° C)
Operating	
Battery Charge	
Storage without battery	
Humidity	Up to 95% non-condensing
Mechanical Drop	Operational after 50 drops from 3.94 feet (1.2m) to concrete
Vibration	Complies with MIL-STD-810G, Method 514.6, Annex C
ESD Sensitivity	Up to 20kV direct air Up to 8 kV indirect coupling plane

Depth of Field Charts

Xenon B&W Scanner Typical Performance

Focus		High Density (HD)		Standard Range (SR)		Extended Range (ER)	
		Near Distance	Far Distance	Near Distance	Far Distance	Near Distance	Far Distance
5 mil Code 39	in.	.2	3.8	1.6	5.3	3.7	8
	mm	5.1	96.5	40.6	134.6	94	203.2
13 mil UPC	in.	.5	6.5	.3	16.7	1	20.7
	mm	12.7	165.1	7.6	424.2	25.4	525.8

Focus (Continued)		High Density (HD)		Standard Range (SR)		Extended Range (ER)	
Symbology (Continued)		Near Distance	Far Distance	Near Distance	Far Distance	Near Distance	Far Distance
20 mil Code 39	in.	.6	8.6	.4	24.6	1	23.5
	mm	15.2	218.4	10.2	624.8	25.4	596.9
6.7 mil PDF417	in.	.4	4	.7	6	2.8	9.2
	mm	10.2	101.6	17.8	152.4	71.1	233.7
10 mil Data Matrix	in.	.3	4.2	.8	7	2.5	11.3
	mm	7.6	106.7	20.3	177.8	63.5	287
20 mil QR Code	in.	.7	7	.5	14.8	.7	19
	mm	17.8	177.8	12.7	375.9	17.8	482.6
Resolution (1D Code 39)		3 mil (.076mm)		5 mil (.127mm)		5 mil (.127mm)	
Resolution (2D Data Matrix)		5 mil (.127mm)		6.7 mil (.170mm)		7.5 mil (.191mm)	

Xenon B&W Scanner Guaranteed Performance

Focus		High Density (HD)		Standard Range (SR)		Extended Range (ER)	
Symbology		Near Distance	Far Distance	Near Distance	Far Distance	Near Distance	Far Distance
5 mil Code 39	in.	.3	3.3	2.1	5.1	4.2	7.8
	mm	7.62	83.8	53.3	129.5	106.7	198.1
13 mil UPC	in.	.7	6.1	.4	15.6	1.1	19.7
	mm	17.8	154.9	10.2	396.2	27.9	500.4
20 mil Code 39	in.	.7	7.8	.5	20.2	1.5	25
	mm	17.8	198.1	12.7	513.1	38.1	635
6.7 mil PDF417	in.	.5	3.8	.9	5.8	3.3	8.7
	mm	12.7	96.5	22.9	147.3	83.8	221
10 mil Data Matrix	in.	.4	3.8	.9	6.6	3.4	10.3
	mm	10.2	96.5	22.9	167.6	86.4	261.6
20 mil QR Code	in.	1.2	6.4	.7	13	.9	18
	mm	30.5	162.6	17.8	330.2	22.9	457.2
Resolution (1D Code 39)		3 mil (.076mm)		5 mil (.127mm)		5 mil (.127mm)	
Resolution (2D Data Matrix)		5 mil (.127mm)		6.7 mil (.170mm)		7.5 mil (.191mm)	

Xenon Color Scanner (Model COL) Typical Performance

Focus		High Density (HD)		Standard Range (SR)	
Symbology		Near Distance	Far Distance	Near Distance	Far Distance
5 mil Code 39	in.	0	3.6	1.1	5.2
	mm	0	91.4	27.9	132.1
13 mil UPC	in.	.4	5.9	.4	16.2
	mm	10.2	149.9	10.2	411.5
20 mil Code 39	in.	.4	8.4	.5	22
	mm	10.2	213.4	12.7	558.8
6.7 mil PDF417	in.	0	3.8	.4	6
	mm	0	96.5	10.2	152.4
10 mil Data Matrix	in.	0	4.2	.5	7
	mm	0	106.7	12.7	177.8
20 mil QR Code	in.	.4	6.8	.6	13.4
	mm	10.2	172.7	15.2	340.4
Resolution (1D Code 39)		3 mil (.076mm)		5 mil (.127mm)	
Resolution (2D Data Matrix)		5 mil (.127mm)		6.7 mil (.170mm)	

Xenon Color Scanner (Model COL) Guaranteed Performance

Focus		High Density (HD)		Standard Range (SR)	
Symbology		Near Distance	Far Distance	Near Distance	Far Distance
5 mil Code 39	in.	0	3.3	1.7	4.9
	mm	0	83.8	43.2	124.5
13 mil UPC	in.	.6	5.2	.4	14.5
	mm	15.2	132.1	10.2	368.3
20 mil Code 39	in.	.5	7.4	.5	17.5
	mm	12.7	188	12.7	444.5
6.7 mil PDF417	in.	0	3.4	.5	5.7
	mm	0	86.4	12.7	144.8
10 mil Data Matrix	in.	0	4	.8	6.4
	mm	0	101.6	20.3	162.6
20 mil QR Code	in.	.7	6.2	.7	12.3
	mm	17.8	157.5	17.8	312.4
Resolution (1D Code 39)		3 mil (.076mm)		5 mil (.127mm)	
Resolution (2D Data Matrix)		5 mil (.127mm)		6.7 mil (.170mm)	

Granit 1910i/1911i Scanner Typical Performance

Focus		Extended Range (ER)	
Symbology		Near Distance	Far Distance
5 mil Code 39	in.	3.6	7.4
	mm	91.4	188
20 mil Code 39	in.	.6	29.5
	mm	15.2	749.3
100% UPC	in.	.6	21.4
	mm	15.2	543.6
6.7 mil PDF417	in.	2.7	8.9
	mm	68.6	226.1
10 mil Data Matrix	in.	2.8	10.3
	mm	71.1	261.6
20 mil QR Code	in.	.8	19.5
	mm	20.3	495.3
Resolution (1D Code 39)		5 mil (.127mm)	
Resolution (2D Data Matrix)		7.5 mil (.191mm)	

Granit 1910i/1911i Scanner Guaranteed Performance

Focus		Extended Range (ER)	
Symbology		Near Distance	Far Distance
5 mil Code 39	in.	3.8	7.2
	mm	96.5	182.9
20 mil Code 39	in.	1	28.7
	mm	25.4	729
100% UPC	in.	.6	21.7
	mm	15.2	551.2
6.7 mil PDF417	in.	3	8.5
	mm	76.2	215.9
10 mil Data Matrix	in.	3.1	9.7
	mm	78.7	246.4
20 mil QR Code	in.	.9	19.8
	mm	22.9	502.9
Resolution (1D Code 39)		5 mil (.127mm)	
Resolution (2D Data Matrix)		7.5 mil (.191mm)	

Granit 1980i/1981i Scanner Typical Performance (200 lux)

Focus		Full Range (FR)	
Symbology		Near Distance	Far Distance
7.5 mil Code 39	in.	3.9	64.9
	cm	10.0	164.9
10 mil Code 39	in.	3.9	85.0
	cm	10.0	216.0
20 mil Code 39	in.	6.0	171.1
	cm	15.2	434.5
40 mil Code 39	in.	14.3	389.4
	cm	36.4	989.1
55 mil Code 39	in.	20.6	521.0
	cm	52.2	1322.4
100 mil Code 39	in.	40.7	more than 629.9
	cm	103.4	more than 1600.0
100% UPC	in.	4.8	90.5
	cm	12.2	229.8
7.5 mil Data Matrix	in.	3.9	29.9
	cm	10.0	75.9
10 mil Data Matrix	in.	3.9	40.3
	cm	10.0	102.3
55 mil Data Matrix	in.	16.9	232.8
	cm	42.8	591.3
100 mil Data Matrix	in.	31.8	406.5
	cm	80.7	1032.5
Resolution (1D Code 39)		2 mil (.051mm)	
Resolution (2D Data Matrix)		2 mil (.051mm)	

Granit 1980i/1981i Scanner Guaranteed Performance (200 lux)

Focus		Full Range (FR)	
Symbology		Near Distance	Far Distance
7.5 mil Code 39	in.	3.9	62.4
	cm	10.0	158.6
10 mil Code 39	in.	3.9	82.1
	cm	10.0	208.6
20 mil Code 39	in.	6.2	165.8
	cm	15.8	421.2

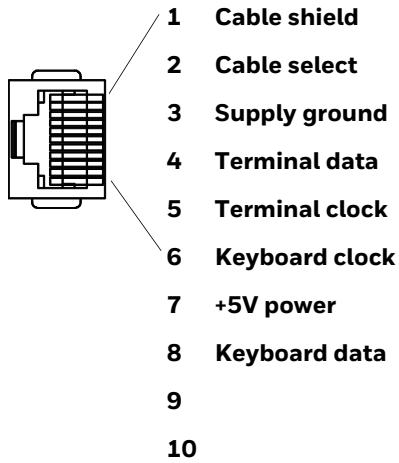
Focus (Continued)		Full Range (FR)	
Symbology (Continued)		Near Distance	Far Distance
40 mil Code 39	in.	15	371.7
	cm	38.1	944.1
55 mil Code 39	in.	22.2	461.2
	cm	56.5	1171.4
100 mil Code 39	in.	47.5	more than 629.9
	cm	120.7	more than 1600.0
100% UPC	in.	5.0	85.3
	cm	12.7	216.7
7.5 mil Data Matrix	in.	3.9	26.9
	cm	10.0	68.3
10 mil Data Matrix	in.	3.9	35.8
	cm	10.0	90.8
55 mil Data Matrix	in.	19.2	213.1
	cm	48.7	541.2
100 mil Data Matrix	in.	35.7	357.2
	cm	90.6	907.3
Resolution (1D Code 39)		2 mil (.051mm)	
Resolution (2D Data Matrix)		2 mil (.051mm)	

Standard Connector Pinouts

Note: *The following pin assignments are not compatible with Honeywell legacy products. Use of a cable with improper pin assignments may lead to damage to the unit. Use of any cables not provided by the manufacturer may result in damage not covered by your warranty.*

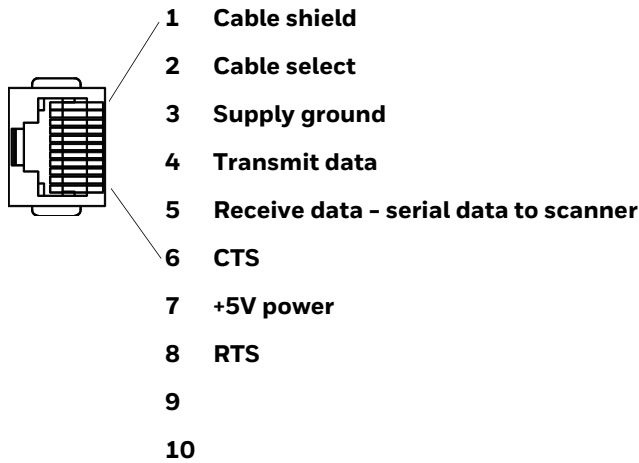
Keyboard Wedge

10 Pin RJ41 Modular Plug - connects to the base



Serial Output

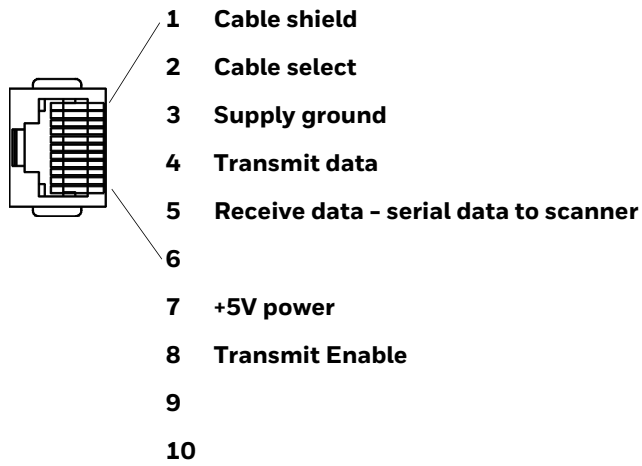
10 Pin RJ41 Modular Plug - connects to the base



RS485 Output

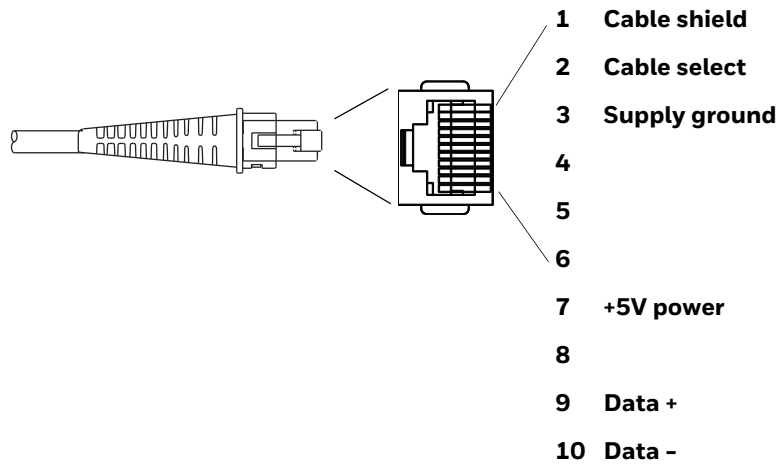
10 Pin RJ41 Modular Plug - connects to the base

Note: RS485 signal conversion is performed in the cable.



USB

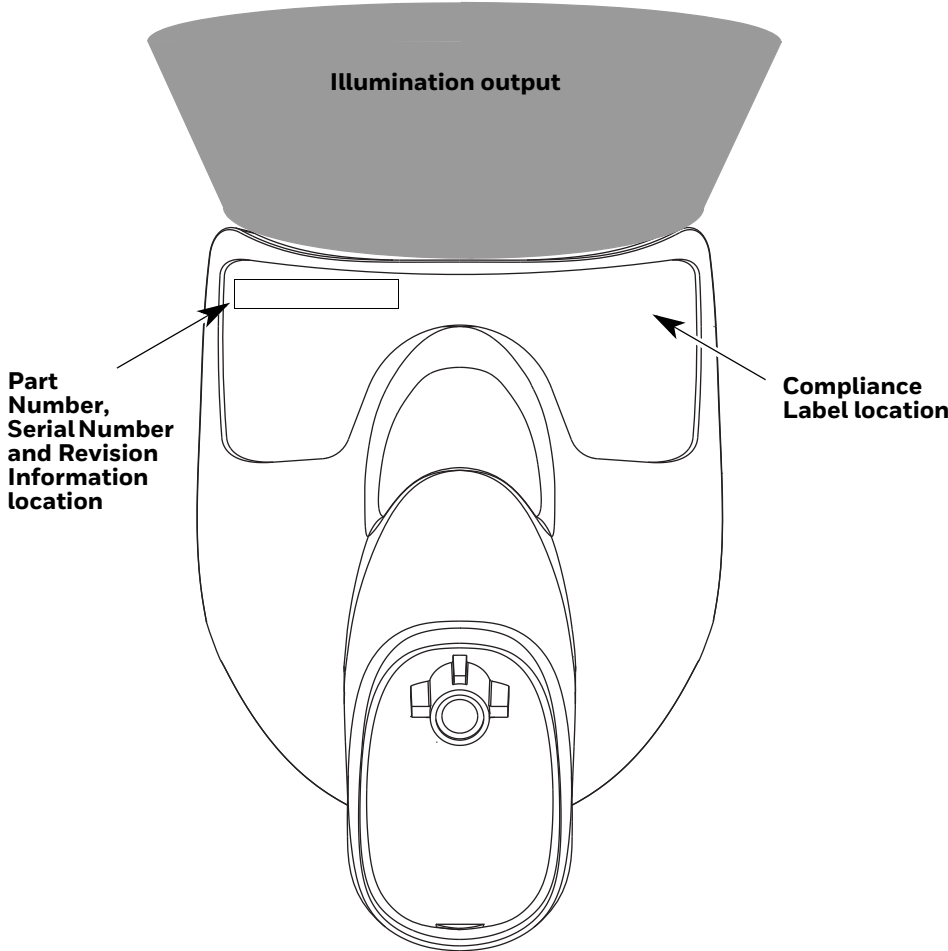
10 Pin Modular Plug - connects to the base



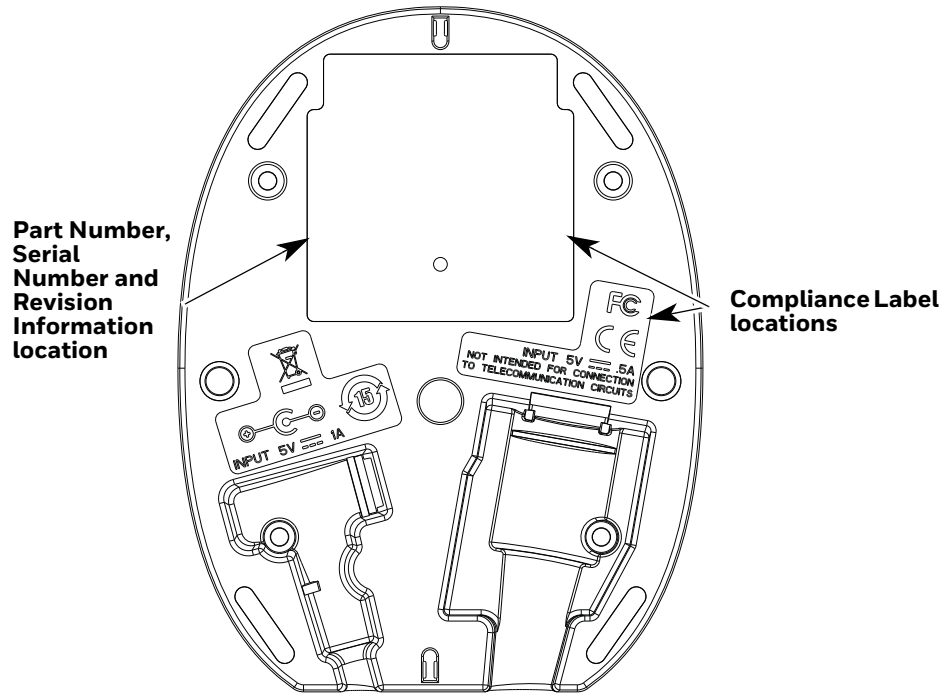
Required Safety Labels

Xenon 1900/1910/1902/1912 Scanner

LASER LIGHT- DO NOT STARE INTO BEAM CLASS 2 LASER PRODUCT:
鐳射光, 請勿直視鐳射光束, 等級2鐳射產品, RAYONNEMENT LASER NE PAS
REGARDER DANS LE FAISCEAU. APPAREIL A LASER DE CLASSE 2. MAX. 1mW:
630-680 nm IEC 60825-1:2007. Complies with 21 CFR 1040.10 and 1040.11
except for deviations pursuant to Laser Notice No. 50, dated June 24, 2007

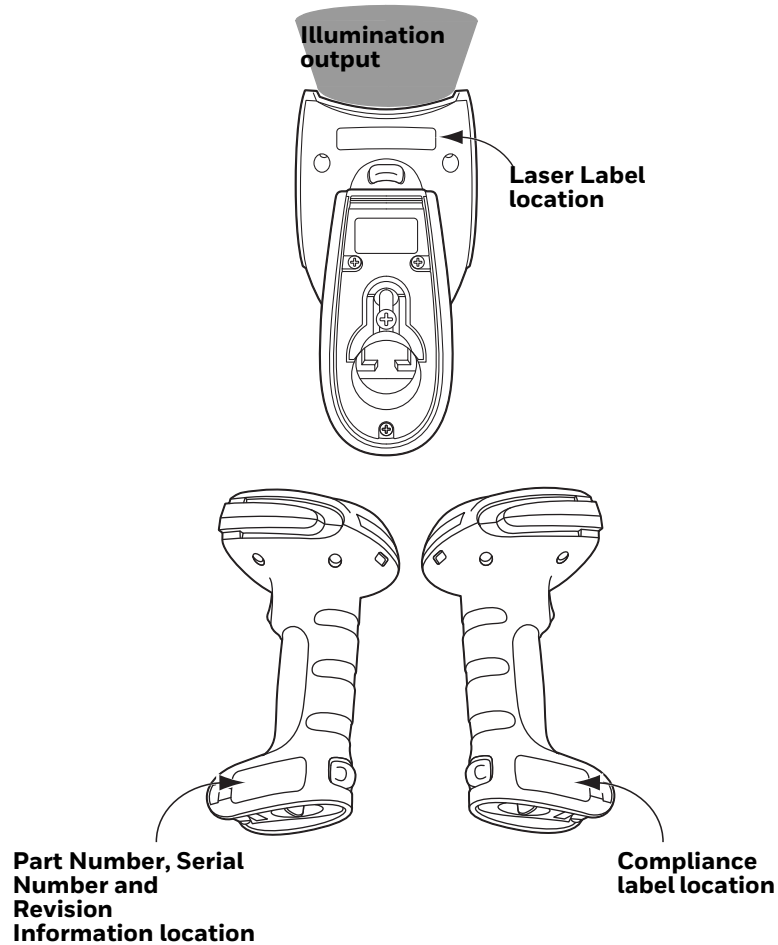


CCB01-010BT/CCB01-010BT-BF Base

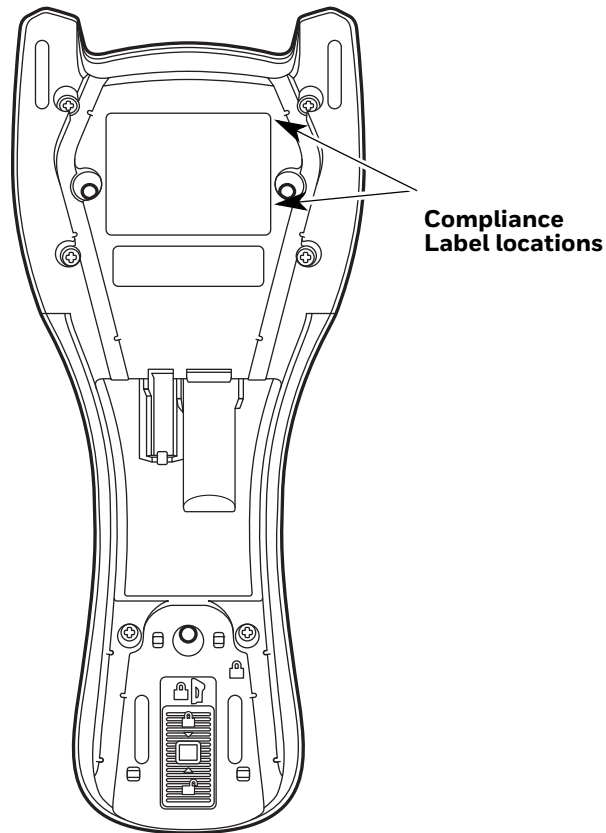


Granit 1910i/1911i/1980i/1981i Scanner

LASER LIGHT. DO NOT STARE INTO BEAM. CLASS 2 LASER PRODUCT.
鐳射光。請勿直視鐳射光束。等級2鐳射產品。RAYONNEMENT LASER NE PAS
REGARDER DANS LE FAISCEAU. APPAREIL A LASER DE CLASSE 2. MAX. 1mW.
630-680 nm IEC 60825-1:2007. Complies with 21 CFR 1040.10 and 1040.11
except for deviations pursuant to Laser Notice No. 50, dated June 24, 2007.



CCB02-100BT/CCB05-100BT Base



MAINTENANCE AND TROUBLESHOOTING

Repairs

Repairs and/or upgrades are not to be performed on this product. These services are to be performed only by an authorized service center (see [Customer Support](#) on page xvii).

Maintenance

Your device provides reliable and efficient operation with a minimum of care. Although specific maintenance is not required, the following periodic checks ensure dependable operation:

Cleaning the Scanner

The scanner or base's housing may be cleaned with a soft cloth or tissue dampened with water (or a mild detergent-water solution.) If a detergent solution is used, rinse with a clean tissue dampened with water only.



Caution: Do not submerge the scanner in water. The scanner's housing is not watertight. Do not use abrasive wipes or tissues on the scanner's window. Abrasive wipes may scratch the window. Never use solvents (e.g., acetone) on the housing or window. Solvents may damage the finish or the window.

Cleaning the Window

Reading performance may degrade if the scanner's window is not clean. If the window is visibly dirty, or if the scanner isn't operating well, clean the window with one of the cleaning solutions listed for [Health Care Housing](#), below.

Health Care Housing

Some configurations of Xenon scanners are available with an external plastic housing that is designed to resist the effects of harsh chemicals in a health care environment. The plastic is crystalline in nature, which helps prevent chemicals from seeping through the housing.

Important! The following cleaning solutions have been tested to assure safe cleaning of your scanner's disinfectant-ready housing. They are the only solutions approved for use with these scanners. Damage caused by the use of cleaners other than those listed below may not be covered by the warranty.

- Sani-Cloth[®] HB wipes
- Sani-Cloth[®] Plus wipes
- Super Sani-Cloth[®] wipes
- Isopropyl Alcohol wipes (70%)
- CaviWipes[™]
- Virex[®] 256
- 409[®] Glass and Surface Cleaner
- Windex[®] Blue
- Clorox[®] Bleach – 10%
- Gentle dish soap and water

Inspecting Cords and Connectors

Inspect the interface cable and connector for wear or other signs of damage. A badly worn cable or damaged connector may interfere with scanner operation. Contact your distributor for information about cable replacement. Cable replacement instructions are on [page 320](#).

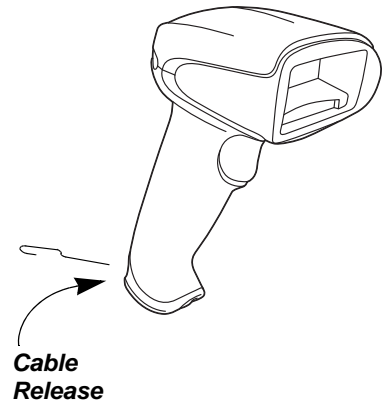
Replacing Cables in Corded Scanners

The standard interface cable is attached to the scanner with an 10-pin modular connector. When properly seated, the connector is held in the scanner's handle by a flexible retention tab. The interface cable is designed to be field replaceable.

- Order replacement cables from Honeywell or from an authorized distributor.
- When ordering a replacement cable, specify the cable part number of the original interface cable.

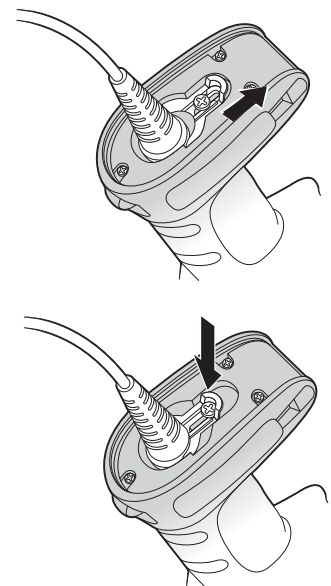
Replacing a Xenon Interface Cable

1. Turn the power to the host system **OFF**.
2. Disconnect the scanner's cable from the terminal or computer.
3. Locate the small hole on the back of the scanner's handle. This is the cable release.
4. Straighten one end of a paper clip.
5. Insert the end of the paper clip into the small hole and press in. This depresses the retention tab, releasing the connector. Pull the connector out while maintaining pressure on the paper clip, then remove the paper clip.
6. Replace with the new cable.
Insert the connector into the opening and press firmly. The connector is keyed to go in only one way, and will click into place.



Replacing a Granit Interface Cable

1. Turn the power to the host system **OFF**.
2. Disconnect the scanner's cable from the terminal or computer.
3. Unscrew the locking plate on the bottom of the scanner.
4. Slide the locking plate away from the connector and pull the cable out of the scanner.
5. Replace with the new cable.
Insert the connector into the opening and press firmly.
6. Slide the locking plate over the base of the connector to secure the cable, and screw the plate into place.



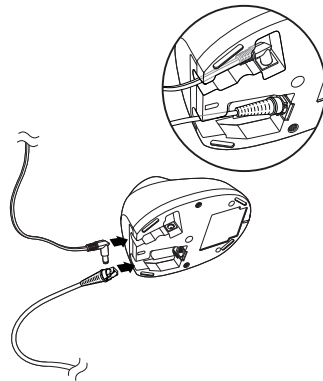
Replacing Cables and Batteries in Cordless Systems

Replacing an Interface Cable in a Base

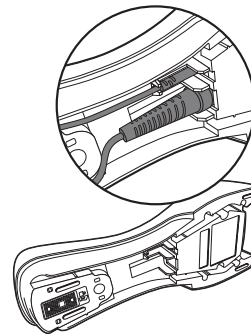
1. Turn the power to the host system OFF.
2. Disconnect the base's cable from the terminal or computer.

3. Turn the base upside down.
4. Pull the connector out while maintaining pressure on the connector release clip.

CCB01-010BT Base:

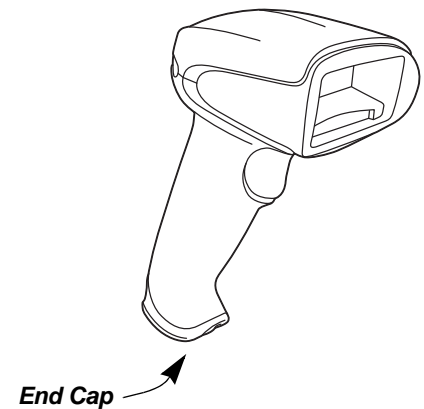


CCB02-100BT/CCB05-100BT Base:



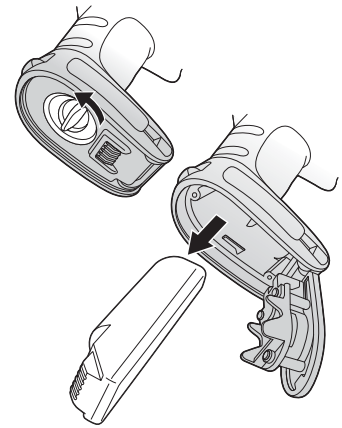
5. Replace with the new cable.
Insert the connector into the opening and press firmly. The connector is keyed to go in only one way, and will click into place.

Changing a Xenon Scanner Battery



1. Use a Phillips head screwdriver to remove the screw from the end cap.
2. Remove the end cap and remove the battery from the handle.
3. Insert replacement battery.
4. Replace end cap and screw.

Changing a Granit Scanner Battery



1. Twist the tab in the bottom of the end cap and open the hinged battery door. (When new, the battery door may stick. Use pliers to twist the tab and open the door until it loosens up.)
2. Remove the battery from the handle.
3. Insert replacement battery.
4. Close the battery door and twist the tab to lock it.

Note: The battery door is designed to pop off the hinge if the scanner is dropped while changing a battery. If this occurs, simply snap it back on.

Troubleshooting a Corded Scanner

The scanner automatically performs self-tests whenever you turn it on. If your scanner is not functioning properly, review the following Troubleshooting Guide to try to isolate the problem.

Is the power on? Is the aimer on?

If the aimer isn't illuminated, check that:

- The cable is connected properly.
- The host system power is on (if external power isn't used).
- The trigger works.

Is the scanner having trouble reading your symbols?

If the scanner isn't reading symbols well, check that the symbols:

- Aren't smeared, rough, scratched, or exhibiting voids.
- Aren't coated with frost or water droplets on the surface.
- Are enabled in the scanner or in the decoder to which the scanner connects.

Is the bar code displayed but not entered?

The bar code is displayed on the host device correctly, but you still have to press a key to enter it (the Enter/Return key or the Tab key, for example).

- You need to program a suffix. Programming a suffix enables the scanner to output the bar code data plus the key you need (such as “CR”) to enter the data into your application. Refer to [Prefix/Suffix Overview](#) on page 151 for further information.

The scanner won't read your bar code at all.

1. Scan the sample bar codes in the back of this manual. If the scanner reads the sample bar codes, check that your bar code is readable. Verify that your bar code symbology is enabled (see [Chapter 9](#)).
2. If the scanner still can't read the sample bar codes, scan [All Symbologies On](#), page 178.

If you aren't sure what programming options have been set in the scanner, or if you want the factory default settings restored, refer to [Reset the Factory Defaults](#) on page 257.

Troubleshooting a Cordless System

Troubleshooting a Base

Note: Visit the Services and Support section of our website (www.honeywellaidc.com) to check for the latest software for both the scanner and the base.

If your base is not functioning properly, review the following troubleshooting guidelines to try to isolate the problem.

Is the red LED on?

If the red LED isn't illuminated, check that:

- The power cable is connected properly and there is power at the power source.
- The host system power is on (if external power isn't used).

Is the green LED on?

If the *green* LED isn't illuminated, check that:

- The scanner is correctly placed in the base.
- There is external power or 12 volt host power.
- Charge mode is turned on. (See ["Beeper and LED Sequences and Meaning"](#) on page 48)
- The battery is not bad or deeply discharged. In some cases, the scanner's battery may trickle charge to bring it into an acceptable level and then transition to a normal charge cycle.

Troubleshooting a Cordless Scanner

Note: Make sure that your scanner's battery is charged.
Visit the Services and Support section of our website (www.honeywellaidc.com) to check for the latest software for both the scanner and the base or Access Point.

Is the scanner having trouble reading your symbols?

If the scanner isn't reading symbols well, check that the symbols:

- Aren't smeared, rough, scratched, or exhibiting voids.
- Aren't coated with frost or water droplets on the surface.
- Are enabled in the base or Access Point to which the scanner connects.

Is the bar code displayed but not entered into the application?

The bar code is displayed on the host device correctly, but you still have to press a key to enter it (the Enter/Return key or the Tab key, for example).

- You need to program a suffix. Programming a suffix enables the scanner to output the bar code data plus the key you need (such as "CR") to enter the data into your application. Refer to [Prefix/Suffix Overview](#) on page 151 for further information.

The scanner won't read your bar code at all.

- Scan the sample bar codes in the back of this manual. If the scanner reads the sample bar codes, check that your bar code is readable.
- Verify that your bar code symbology is enabled (see [Chapter 9](#)).
- If the scanner still can't read the sample bar codes, scan [All Symbologies](#) on page 178.

Symbology Charts

Note: “m” represents the AIM modifier character. Refer to *International Technical Specification, Symbology Identifiers*, for AIM modifier character details.

Prefix/Suffix entries for specific symbologies override the universal (All Symbologies, 99) entry.

Refer to [Data Edit](#) beginning on page 151 and [Data Format](#) beginning on page 157 for information about using Code ID and AIM ID.

Linear Symbologies

Symbology	AIM		Honeywell	
	ID	Possible modifiers (m)	ID	Hex
All Symbologies				99
Codabar	JFm	0-1	a	61
Code 11	JH3		h	68
Code 128	JCm	0, 1, 2, 4	j	6A
Code 32 Pharmaceutical (PARAF)	JX0		<	3C
Code 39 (supports Full ASCII mode)	JAm	0, 1, 3, 4, 5, 7	b	62
TCIF Linked Code 39 (TLC39)	JL2		T	54
Code 93 and 93i	JGm	0-9, A-Z, a-m	i	69
EAN	JEm	0, 1, 3, 4	d	64
EAN-13 (including Bookland EAN)	JE0		d	64
EAN-13 with Add-On	JE3		d	64
EAN-13 with Extended Coupon Code	JE3		d	64
EAN-8	JE4		D	44

Symbology	AIM		Honeywell	
	ID	Possible modifiers (m)	ID	Hex
EAN-8 with Add-On]E3		D	44
GS1				
GS1 DataBar]em	0	y	79
GS1 DataBar Limited]em		{	7B
GS1 DataBar Expanded]em		}	7D
GS1-128]C1		l	49
2 of 5				
China Post (Hong Kong 2 of 5)]X0		Q	51
Interleaved 2 of 5]lm	0, 1, 3	e	65
Matrix 2 of 5]X0		m	6D
NEC 2 of 5]X0		Y	59
Straight 2 of 5 IATA]Rm	0, 1, 3	f	66
Straight 2 of 5 Industrial]S0		f	66
MSI]Mm	0, 1	g	67
Telepen]Bm		t	74
UPC		0, 1, 2, 3, 8, 9, A, B, C		
UPC-A]E0		c	63
UPC-A with Add-On]E3		c	63
UPC-A with Extended Coupon Code]E3		c	63
UPC-E]E0		E	45
UPC-E with Add-On]E3		E	45
UPC-E1]X0		E	45

Add Honeywell Code ID				5C80
Add AIM Code ID				5C81
Add Backslash				5C5C
Batch mode quantity			5	35

2D Symbologies

Symbology	AIM		Honeywell	
	ID	Possible modifiers (m)	ID	Hex
All Symbologies				99
Aztec Code]zm	0-9, A-C	z	7A

Symbology	AIM		Honeywell	
	ID	Possible modifiers (m)	ID	Hex
Chinese Sensible Code (Han Xin Code)]X0		H	48
Codablock A]06	0, 1, 4, 5, 6	V	56
Codablock F]0m	0, 1, 4, 5, 6	q	71
Code 49]Tm	0, 1, 2, 4	l	6C
Data Matrix]dm	0-6	w	77
GS1]em	0-3	y	79
GS1 Composite]em	0-3	y	79
GS1 DataBar Omnidirectional]em	0-3	y	79
MaxiCode]Um	0-3	x	78
PDF417]Lm	0-2	r	72
MicroPDF417]Lm	0-5	R	52
QR Code]Qm	0-6	s	73
Micro QR Code]Qm		s	73

Postal Symbologies

Symbology	AIM		Honeywell	
	ID	Possible modifiers (m)	ID	Hex
All Symbologies				99
Australian Post]X0		A	41
British Post]X0		B	42
Canadian Post]X0		C	43
China Post]X0		Q	51
InfoMail]X0		,	2c
Intelligent Mail Bar Code]X0		M	4D
Japanese Post]X0		J	4A
KIX (Netherlands) Post]X0		K	4B
Korea Post]X0		?	3F
Planet Code]X0		L	4C
Postal-4i]X0		N	4E
Postnet]X0		P	50

ASCII Conversion Chart (Code Page 1252)

In keyboard applications, ASCII Control Characters can be represented in 3 different ways, as shown below. The CTRL+X function is OS and application dependent. The following table lists some commonly used Microsoft functionality. This table applies to U.S. style keyboards. Certain characters may differ depending on your Country Code/PC regional settings.

Non-printable ASCII control characters			Keyboard Control + ASCII (CTRL+X) Mode		
DEC	HEX	Char	Control + X Mode Off (KBDCAS0)	Windows Mode Control + X Mode On (KBDCAS2)	
				CTRL + X	CTRL + X function
0	00	NUL	Reserved	CTRL+ @	
1	01	SOH	NP Enter	CTRL+ A	Select all
2	02	STX	Caps Lock	CTRL+ B	Bold
3	03	ETX	ALT Make	CTRL+ C	Copy
4	04	EOT	ALT Break	CTRL+ D	Bookmark
5	05	ENQ	CTRL Make	CTRL+ E	Center
6	06	ACK	CTRL Break	CTRL+ F	Find
7	07	BEL	Enter / Ret	CTRL+ G	
8	08	BS	<i>(Apple Make)</i>	CTRL+ H	History
9	09	HT	Tab	CTRL+ I	Italic
10	0A	LF	<i>(Apple Break)</i>	CTRL+ J	Justify
11	0B	VT	Tab	CTRL+ K	hyperlink
12	0C	FF	Delete	CTRL+ L	list, left align
13	0D	CR	Enter / Ret	CTRL+ M	
14	0E	SO	Insert	CTRL+ N	New
15	0F	SI	ESC	CTRL+ O	Open
16	10	DLE	F11	CTRL+ P	Print
17	11	DC1	Home	CTRL+ Q	Quit
18	12	DC2	PrtScn	CTRL+ R	
19	13	DC3	Backspace	CTRL+ S	Save
20	14	DC4	Back Tab	CTRL+ T	
21	15	NAK	F12	CTRL+ U	
22	16	SYN	F1	CTRL+ V	Paste
23	17	ETB	F2	CTRL+ W	
24	18	CAN	F3	CTRL+ X	
25	19	EM	F4	CTRL+ Y	?
26	1A	SUB	F5	CTRL+ Z	?
27	1B	ESC	F6	CTRL+ [?
28	1C	FS	F7	CTRL+ \	?
29	1D	GS	F8	CTRL+]	?
30	1E	RS	F9	CTRL+ ^	?
31	1F	US	F10	CTRL+ -	?
127	7F	△	NP Enter		?

Lower ASCII Reference Table

Note: Windows Code page 1252 and lower ASCII use the same characters.

Printable Characters								
DEC	HEX	Character	DEC	HEX	Character	DEC	HEX	Character
32	20	<SPACE>	64	40	@	96	60	`
33	21	!	65	41	A	97	61	a
34	22	"	66	42	B	98	62	b
35	23	#	67	43	C	99	63	c
36	24	\$	68	44	D	100	64	d
37	25	%	69	45	E	101	65	e
38	26	&	70	46	F	102	66	f
39	27	'	71	47	G	103	67	g
40	28	(72	48	H	104	68	h
41	29)	73	49	I	105	69	i
42	2A	*	74	4A	J	106	6A	j
43	2B	+	75	4B	K	107	6B	k
44	2C	,	76	4C	L	108	6C	l
45	2D	-	77	4D	M	109	6D	m
46	2E	.	78	4E	N	110	6E	n
47	2F	/	79	4F	O	111	6F	o
48	30	0	80	50	P	112	70	p
49	31	1	81	51	Q	113	71	q
50	32	2	82	52	R	114	72	r
51	33	3	83	53	S	115	73	s
52	34	4	84	54	T	116	74	t
53	35	5	85	55	U	117	75	u
54	36	6	86	56	V	118	76	v
55	37	7	87	57	W	119	77	w
56	38	8	88	58	X	120	78	x
57	39	9	89	59	Y	121	79	y
58	3A	:	90	5A	Z	122	7A	z
59	3B	;	91	5B	[123	7B	{
60	3C	<	92	5C	\	124	7C	
61	3D	=	93	5D]	125	7D	}
62	3E	>	94	5E	^	126	7E	~
63	3F	?	95	5F	_	127	7F	△

Extended ASCII Characters					
DEC	HEX	CP 1252	ASCII	Alternate Extended	PS2 Scan Code
128	80	€	Ç	up arrow ↑	0x48
129	81		ü	down arrow ↓	0x50
130	82	,	é	right arrow →	0x4B
131	83	f	â	left arrow ←	0x4D
132	84	„	ä	Insert	0x52
133	85	...	à	Delete	0x53
134	86	†	á	Home	0x47
135	87	‡	ç	End	0x4F
136	88	^	ê	Page Up	0x49
137	89	‰	ë	Page Down	0x51
138	8A	Š	è	Right ALT	0x38
139	8B	<	ï	Right CTRL	0x1D

Extended ASCII Characters (Continued)

DEC	HEX	CP 1252	ASCII	Alternate Extended	PS2 Scan Code
140	8C	Œ	î	Reserved	n/a
141	8D		ï	Reserved	n/a
142	8E	Ž	Ā	Numeric Keypad Enter	0x1C
143	8F		Ă	Numeric Keypad /	0x35
144	90		É	F1	0x3B
145	91	‘	æ	F2	0x3C
146	92	’	Æ	F3	0x3D
147	93	“	ô	F4	0x3E
148	94	”	ö	F5	0x3F
149	95	•	ò	F6	0x40
150	96	–	û	F7	0x41
151	97	—	ù	F8	0x42
152	98	˜	ÿ	F9	0x43
153	99	™	Ö	F10	0x44
154	9A	š	Ü	F11	0x57
155	9B	›	ç	F12	0x58
156	9C	œ	£	Numeric Keypad +	0x4E
157	9D		¥	Numeric Keypad -	0x4A
158	9E	ž	Ps	Numeric Keypad *	0x37
159	9F	ÿ	f	Caps Lock	0x3A
160	A0		á	Num Lock	0x45
161	A1	ı	í	Left Alt	0x38
162	A2	ç	ó	Left Ctrl	0x1D
163	A3	£	ú	Left Shift	0x2A
164	A4	¤	ñ	Right Shift	0x36
165	A5	¥	Ñ	Print Screen	n/a
166	A6	ı	ª	Tab	0x0F
167	A7	§	º	Shift Tab	0x8F
168	A8	¨	¿	Enter	0x1C
169	A9	©	ƒ	Esc	0x01
170	AA	ª	¬	Alt Make	0x36
171	AB	«	½	Alt Break	0xB6
172	AC	¬	¼	Control Make	0x1D
173	AD		ı	Control Break	0x9D
174	AE	®	«	Alt Sequence with 1 Character	0x36
175	AF	™	»	Ctrl Sequence with 1 Character	0x1D
176	B0	°	␣		
177	B1	±	␣		
178	B2	²	␣		
179	B3	³	␣		
180	B4	´	␣		
181	B5	µ	␣		
182	B6	¶	␣		
183	B7	·	␣		
184	B8	¸	␣		
185	B9	¹	␣		
186	BA	º	␣		
187	BB	»	␣		
188	BC	¼	␣		
189	BD	½	␣		
190	BE	¾	␣		
191	BF	¿	␣		
192	C0	À	L		
193	C1	Á	⌞		

Extended ASCII Characters (Continued)					
DEC	HEX	CP 1252	ASCII	Alternate Extended	PS2 Scan Code
194	C2	Â	T		
195	C3	Ã	†		
196	C4	Ä	—		
197	C5	Å	í		
198	C6	Æ	‡		
199	C7	Ç	‡		
200	C8	È	‡		
201	C9	É	‡		
202	CA	Ê	‡		
203	CB	Ë	‡		
204	CC	Ì	‡		
205	CD	Í	=		
206	CE	Î	‡		
207	CF	Ï	‡		
208	D0	Ð	‡		
209	D1	Ñ	‡		
210	D2	Ò	‡		
211	D3	Ó	‡		
212	D4	Ô	‡		
213	D5	Õ	F		
214	D6	Ö	‡		
215	D7	×	‡		
216	D8	Ø	‡		
217	D9	Ù	J		
218	DA	Ú	‡		
219	DB	Û	■		
220	DC	Ü	■		
221	DD	Ý	■		
222	DE	Þ	■		
223	DF	ß	■		
224	E0	à	α		
225	E1	á	β		
226	E2	â	Γ		
227	E3	ã	π		
228	E4	ä	Σ		
229	E5	å	σ		
230	E6	æ	μ		
231	E7	ç	τ		
232	E8	è	Φ		
233	E9	é	Θ		
234	EA	ê	Ω		
235	EB	ë	δ		
236	EC	ì	∞		
237	ED	í	φ		
238	EE	î	ε		
239	EF	ï	∩		
240	F0	ð	≡		
241	F1	ñ	±		
242	F2	ò	≥		
243	F3	ó	≤		
244	F4	ô			
245	F5	õ]		
246	F6	ö	÷		
247	F7	÷	≈		

Extended ASCII Characters (Continued)					
DEC	HEX	CP 1252	ASCII	Alternate Extended	PS2 Scan Code
248	F8	ø	°		
249	F9	ù	·		
250	FA	ú	·		
251	FB	û	√		
252	FC	ü	ñ		
253	FD	ý	²		
254	FE	þ	■		
255	FF	ÿ			

ISO 2022/ISO 646 Character Replacements

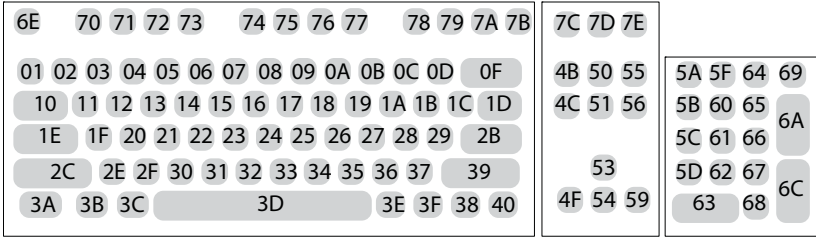
Code pages define the mapping of character codes to characters. If the data received does not display with the proper characters, it may be because the bar code being scanned was created using a code page that is different from the one the host program is expecting. If this is the case, select the code page with which the bar codes were created. The data characters should then appear properly.

Code Page Selection Method/ Country	Standard	Keyboard Country	Honeywell Code Page Option
United States (standard ASCII)	ISO/IEC 646-IRV	n/a	1
Automatic National Character Replacement	ISO/IEC 2022	n/a	2 (default)
Binary Code page	n/a	n/a	3
Default "Automatic National Character replacement" will select the below Honeywell Code Page options for Code128, Code 39 and Code 93.			
United States	ISO/IEC 646-06	0	1
Canada	ISO /IEC 646-121	54	95
Canada	ISO /IEC 646-122	18	96
Japan	ISO/IEC 646-14	28	98
China	ISO/IEC 646-57	92	99
Great Britain (UK)	ISO /IEC 646-04	7	87
France	ISO /IEC 646-69	3	83
Germany	ISO/IEC646-21	4	84
Switzerland	ISO /IEC 646-CH	6	86
Sweden / Finland (extended Annex C)	ISO/IEC 646-11	2	82
Ireland	ISO /IEC 646-207	73	97
Denmark	ISO/IEC 646-08	8	88
Norway	ISO/IEC 646-60	9	94
Italy	ISO/IEC 646-15	5	85
Portugal	ISO/IEC 646-16	13	92

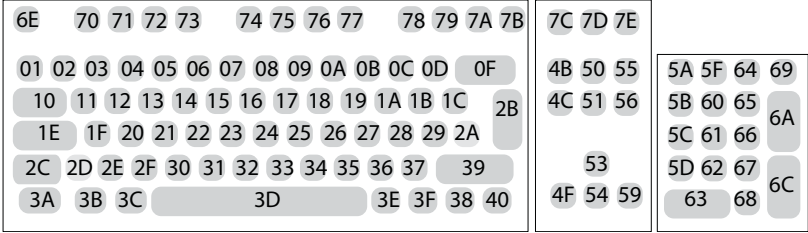
Code Page Selection Method/ Country	Standard	Keyboard Country	Honeywell Code Page Option
Spain	ISO/IEC 646-17	10	90
Spain	ISO/IEC 646-85	51	91

Dec			35	36	64	91	92	93	94	96	123	124	125	126
Hex			23	24	40	5B	5C	5D	5E	60	7B	7C	7D	7E
US	0	1	#	\$	@	[\]	^	`	{		}	~
CA	54	95	#	\$	à	â	ç	ê	î	ô	é	ù	è	û
CA	18	96	#	\$	à	â	ç	ê	É	ô	é	ù	è	û
JP	28	98	#	\$	@	[¥]	^	`	{		}	-
CN	92	99	#	¥	@	[\]	^	`	{		}	-
GB	7	87	£	\$	@	[\]	^	`	{		}	~
FR	3	83	£	\$	à	°	ç	§	^	μ	é	ù	è	¨
DE	4	84	#	\$	§	Ä	Ö	Ü	^	`	ä	ö	ü	ß
CH	6	86	ù	\$	à	é	ç	ê	î	ô	ä	ö	ü	û
SE/FI	2	82	#	¤	É	Ä	Ö	Å	Ü	é	ä	ö	å	ü
DK	8	88	#	\$	@	Æ	Ø	Å	^	`	æ	ø	å	~
NO	9	94	#	\$	@	Æ	Ø	Å	^	`	æ	ø	å	-
IE	73	97	£	\$	Ó	É	Í	Ú	Á	ó	é	í	ú	á
IT	5	85	£	\$	§	°	ç	é	^	ù	à	ò	è	ì
PT	13	92	#	\$	§	Ã	Ç	Õ	^	`	ã	ç	õ	°
ES	10	90	#	\$	§	í	Ñ	¿	^	`	°	ñ	ç	~
ES	51	91	#	\$	·	í	Ñ	Ç	¿	`	´	ñ	ç	¨
COUNTRY	Country Keyboard	Honeywell CodePage	ISO / IEC 646 National Character Replacements											

Keyboard Key References



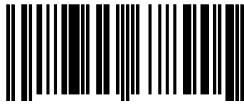
104 Key U.S. Style Keyboard



105 Key European Style Keyboard

Sample Symbols

UPC-A



0 123456 7890

Interleaved 2 of 5



01234567890

EAN-13



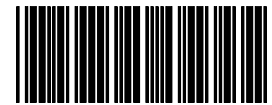
9 780330 290951

Code 128



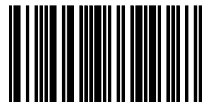
Code 128

Code 39



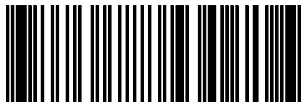
BC321

Codabar



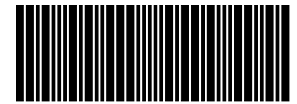
A13579B

Code 93



123456-9\$

Straight 2 of 5 Industrial



123456

Matrix 2 of 5



6543210

RSS-14



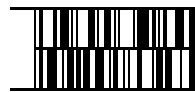
(01) 00123456789012

PDF417



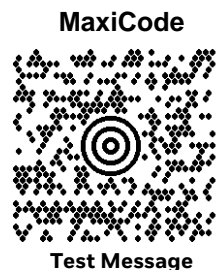
Car Registration

Code 49



1234567890

Sample Symbols (Continued)



Programming Chart



K0K
0



K2K
2



K4K
4



K6K
6



K8K
8



K1K
1



K3K
3



K5K
5



K7K
7



K9K
9

Programming Chart (Continued)



KAK
A



KBK
B



KCK
C



KDK
D



KEK
E



KFK
F



MNUSAV.
Save



MNUABT.
Discard



RESET_
Reset

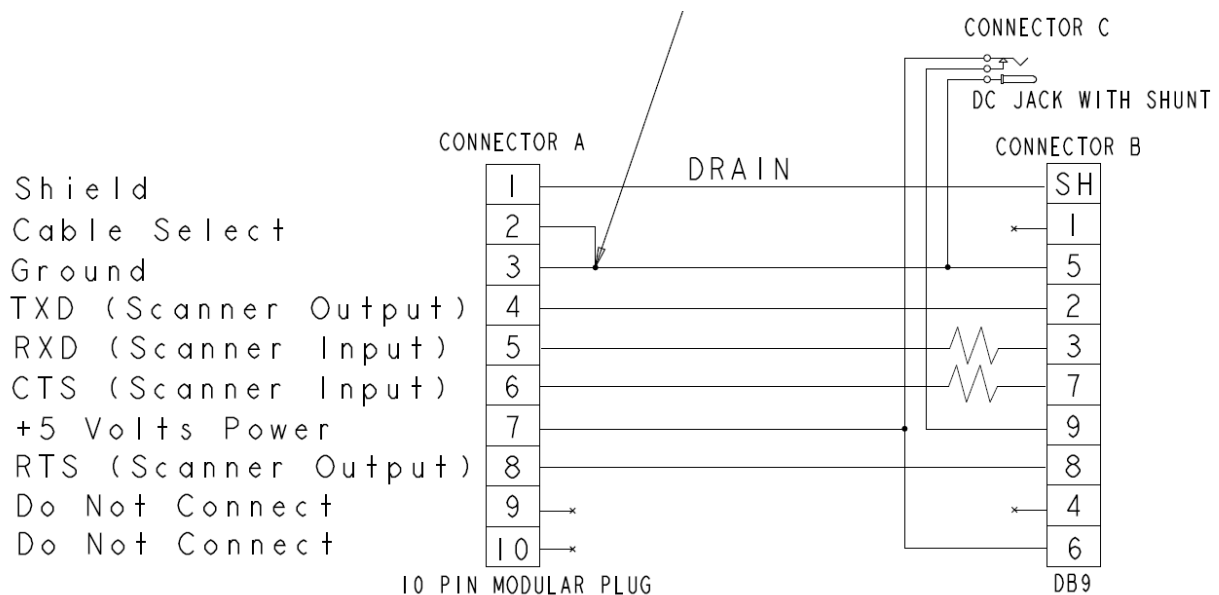
Note: If you make an error while scanning the letters or digits (before scanning **Save**), scan **Discard**, scan the correct letters or digits, and **Save** again.

CBL-020-300-C00

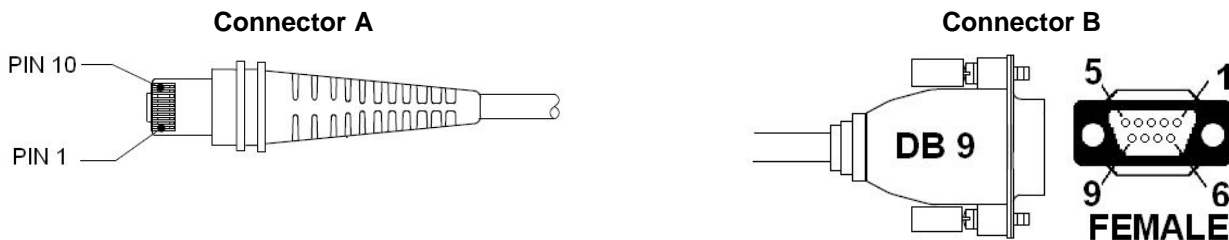
Cable for product : Generic HSM – bar code scanner
Description: Standard Serial RS232 DB9 Female coiled
Interface: RS232 TTL (5V)
Connector A: Molded 10 Pin Modular (RJ50 like)
Connector B: Molded DB9 - Female
Connector C: STD HSM Power link 5V (DC Jack with shunt)

Cable length: 2.80 meter (retracted ~1.35 m)
Max extended

Pin assignment



Connector assignment



NOTE:

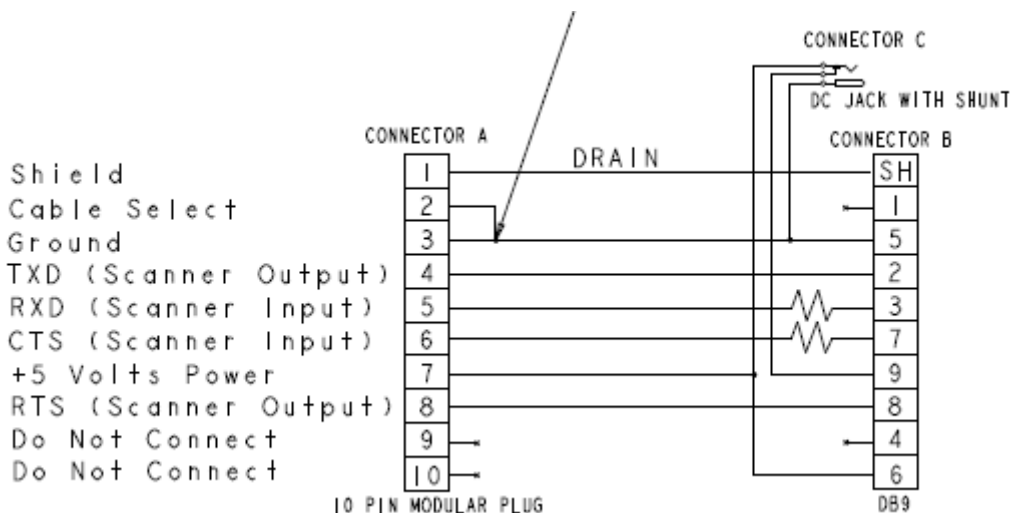
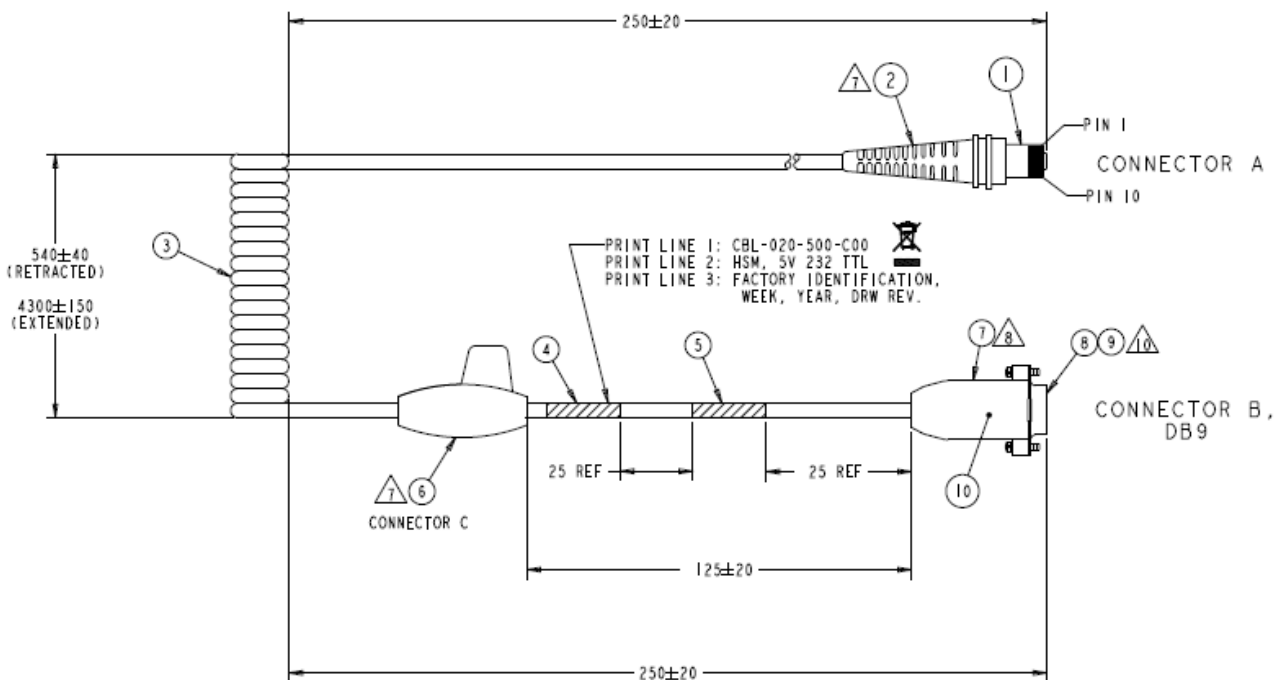
- WARNING:** connecting to 12V host powered systems with these cables will damage the 5V-only scanner when the External Power (PSU) is disconnected from con. C.

Under no circumstances will Honeywell International Inc. be liable to any person or business entity for any direct, indirect, special, incidental, consequential or other damages based on any use of the information in this document or any other linked or referenced document, including, without limitation, any lost profits, business interruption, or loss of programs or information, even if Honeywell International Inc. has been specifically advised of the possibility of such damages.

CBL-020-500-C00

Cable for: Xenon 190x series, Hyperion 1300g, Voyager 12xx, Voyager 14xx, Granit 19xxi,
Description: Serial 9pin sub D – FEMALE, coiled, black (standard PC)
Interface: 232TTL, 5VDC
Connector A: RJ41 10pin modular
Connector B: DB9 female
Connector C: Powerlink 5V DC

Cable length retracted: minimum ~ 1 m
Cable length extended: minimum ~ 5 m



This is an entry from the Honeywell Scanning and Mobility Knowledge base. As part of our ongoing effort to improve and enhance the quality of the solutions, we ask you to inform us if you feel that we can improve on the content of this solution. Please send an email to: hsm-support@solutions@honeywell.com

Molded RJ41 - 10pin modular



DB9 female

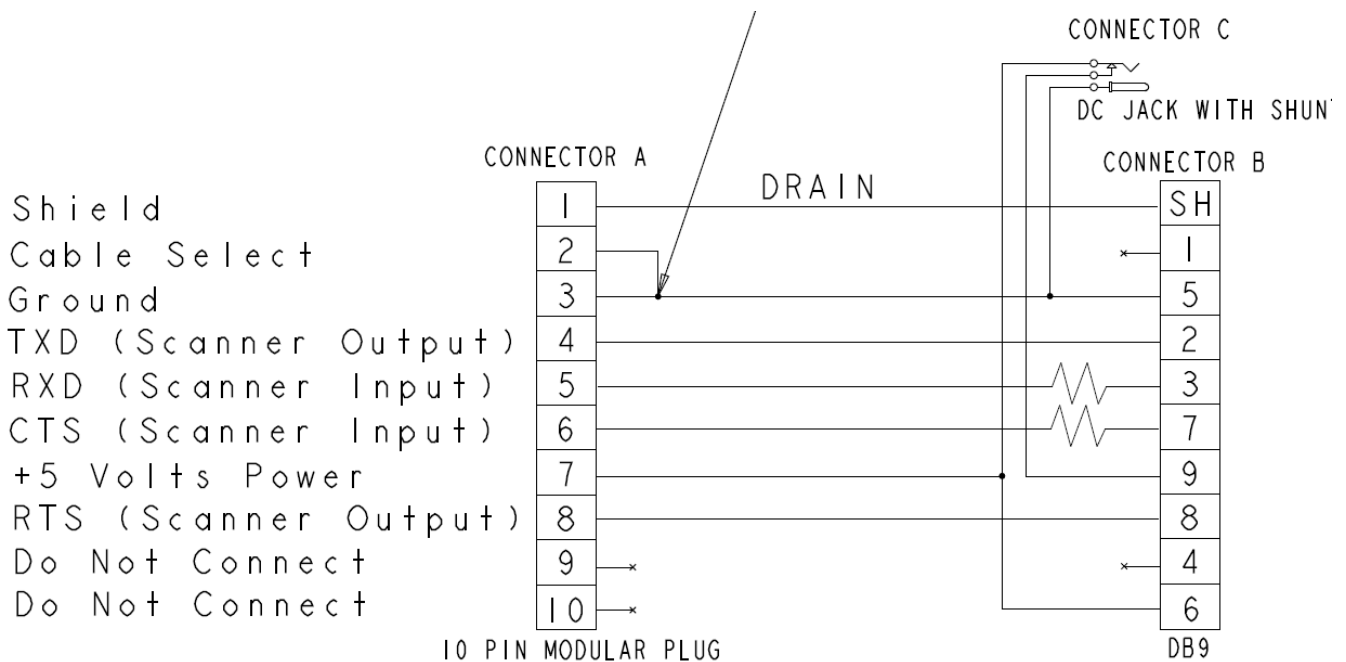


CBL-220-300-C00

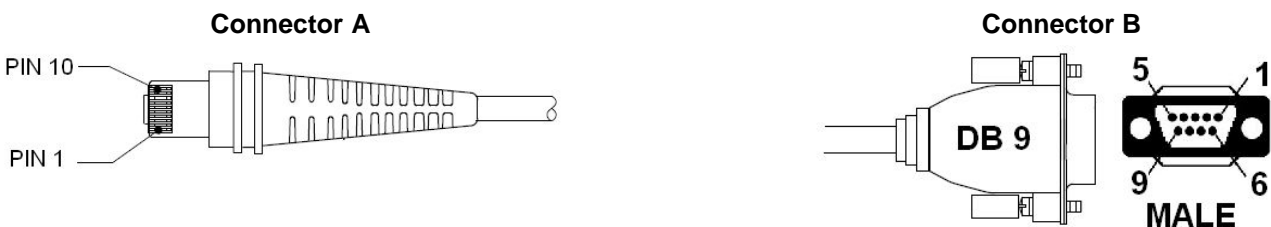
Cable for product : Generic HSM – bar code scanner
Description: Serial RS232 DB9 Male coiled (Wincor / Toshiba ECR's)
Interface: RS232 TTL (5V)
Connector A: Molded 10 Pin Modular (RJ50 like)
Connector B: Molded DB9 - Male
Connector C: STD HSM Power link 5V (DC Jack with shunt)

Cable length: 2.80 meter (retracted ~1.35 m)
Max extended

Pin assignment



Connector assignment



NOTE:

- **WARNING:** connecting to 12V host powered systems with these cables will damage the 5V-only scanner when the External Power (PSU) is disconnected from con. C.
- Former part number: 42206454-01E.

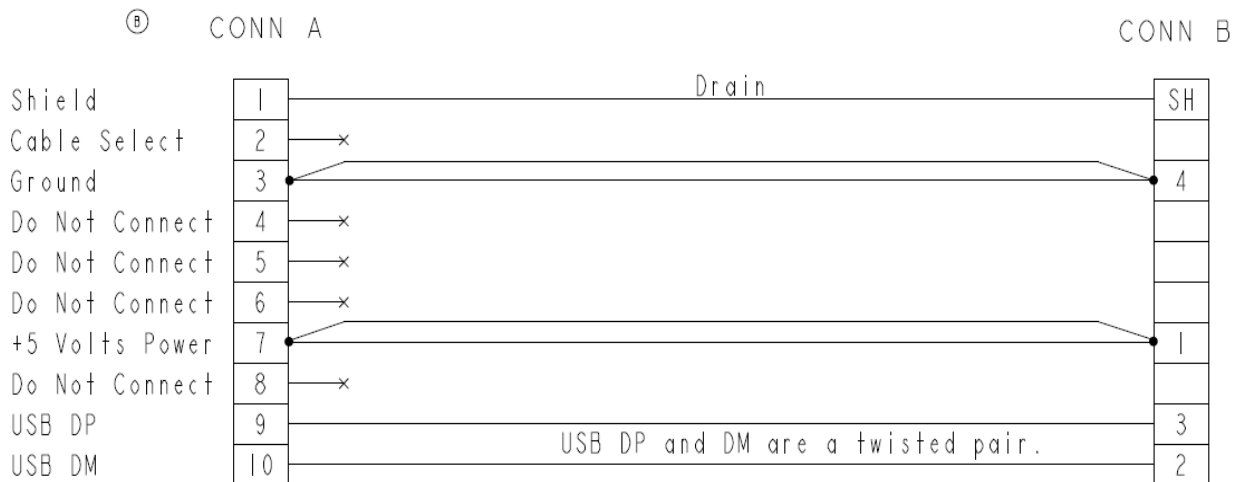
Under no circumstances will Honeywell International Inc. be liable to any person or business entity for any direct, indirect, special, incidental, consequential or other damages based on any use of the information in this document or any other linked or referenced document, including, without limitation, any lost profits, business interruption, or loss of programs or information, even if Honeywell International Inc. has been specifically advised of the possibility of such damages.

CBL-500-300-S00

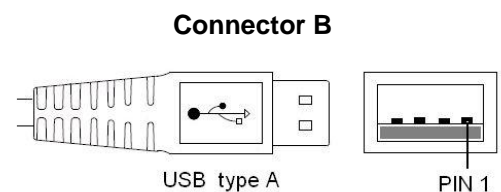
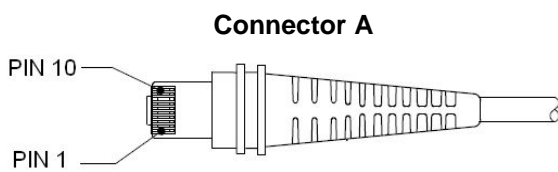
Cable for product : Generic HSM – bar code scanner
Description: Standard 3 Meter straight USB cable – Type A
Interface: USB
Connector A: Molded 10 Pin Modular (RJ50 like)
Connector B: Molded USB Type A

Cable length: ~3.00 meter
Max extended

Pin assignment



Connector assignment



NOTE:

Under no circumstances will Honeywell International Inc. be liable to any person or business entity for any direct, indirect, special, incidental, consequential or other damages based on any use of the information in this document or any other linked or referenced document, including, without limitation, any lost profits, business interruption, or loss of programs or information, even if Honeywell International Inc. has been specifically advised of the possibility of such damages.

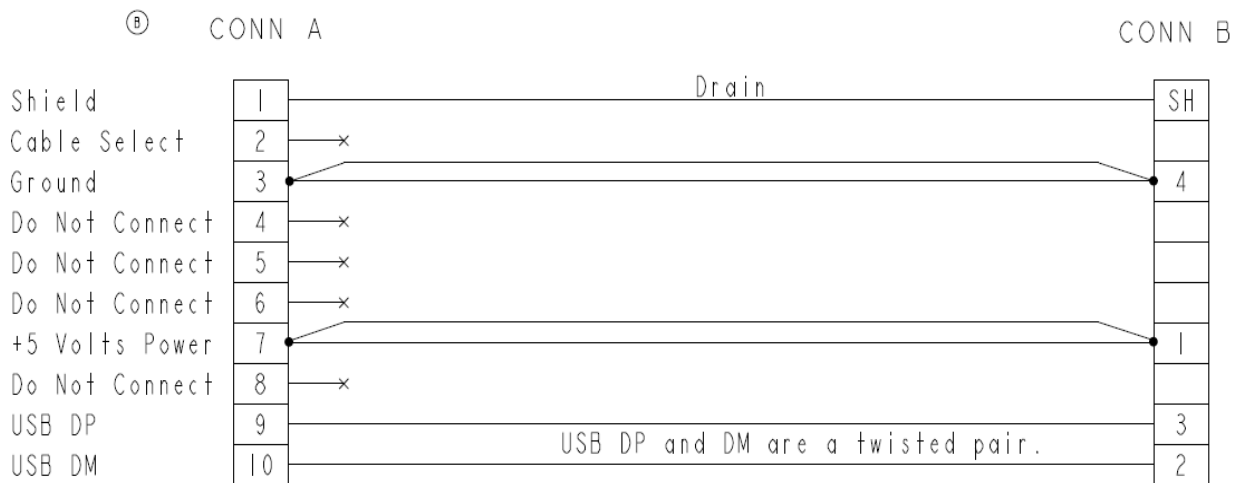
CBL-503-300-S00

Cable for product : Generic HSM – bar code scanner
Description: 3 Meter straight USB Power Plus cable
Interface: USB
Connector A: Molded 10 Pin Modular (RJ50 like)
Connector B: USB Plus Power (12V)

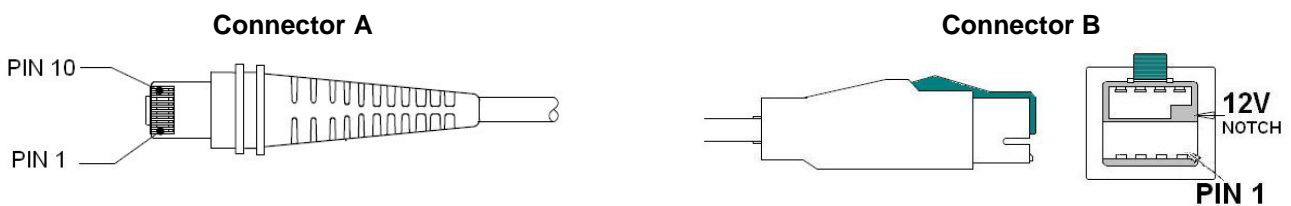


Cable length: ~3.00 meter
Max extended

Pin assignment



Connector assignment



NOTE:

Uses strictly the 5V (pin 1 to 4) lower USB connector, (Teal) Plus power connector suits 12 volt socket only.

Under no circumstances will Honeywell International Inc. be liable to any person or business entity for any direct, indirect, special, incidental, consequential or other damages based on any use of the information in this document or any other linked or referenced document, including, without limitation, any lost profits, business interruption, or loss of programs or information, even if Honeywell International Inc. has been specifically advised of the possibility of such damages.

Holder-010-U Granit 191X Wall Mount Holder Dimensional drawing

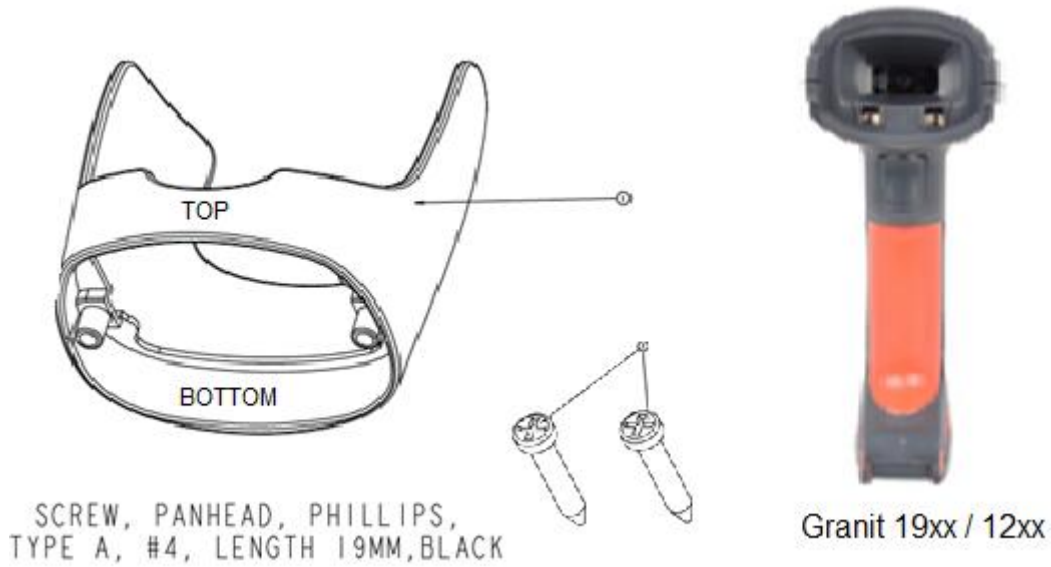


fig 1.

PN# has 2 components (1- plastic Ind. Cup and 2- set of Screws)

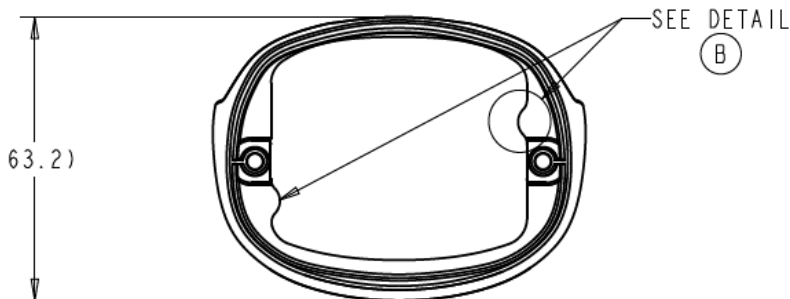


Fig 2.1 (front)

Although due to the angle, the official drawing isn't specific on this, the screw holes are more or less vertically centered on the cup and therefore ~31.6 mm from both top or bottom.

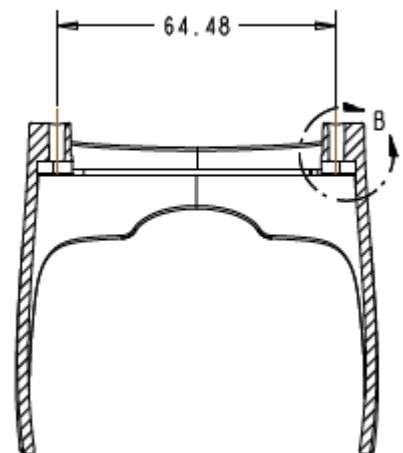
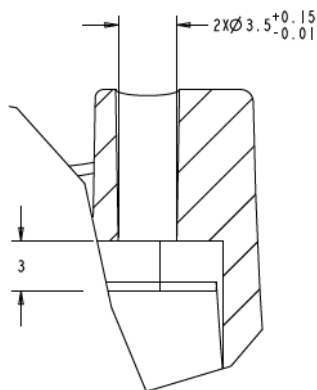


Fig 3.1 (bottom)



DETAIL B

Fig 2.2 detail

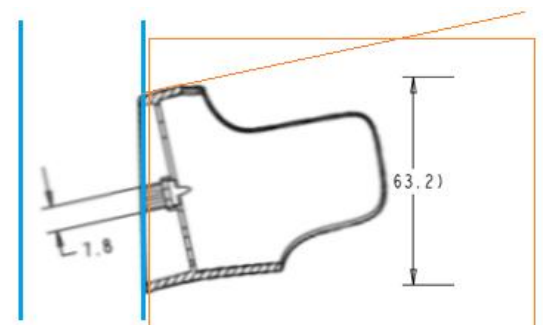


Fig 3.2 (side view - wall mounted)

Under no circumstances will Honeywell International Inc. be liable to any person or business entity for any direct, indirect, special, incidental, consequential or other damages based on any use of the information in this document or any other linked or referenced document, including, without limitation, any lost profits, business interruption, or loss of programs or information, even if Honeywell International Inc. has been specifically advised of the possibility of such damages

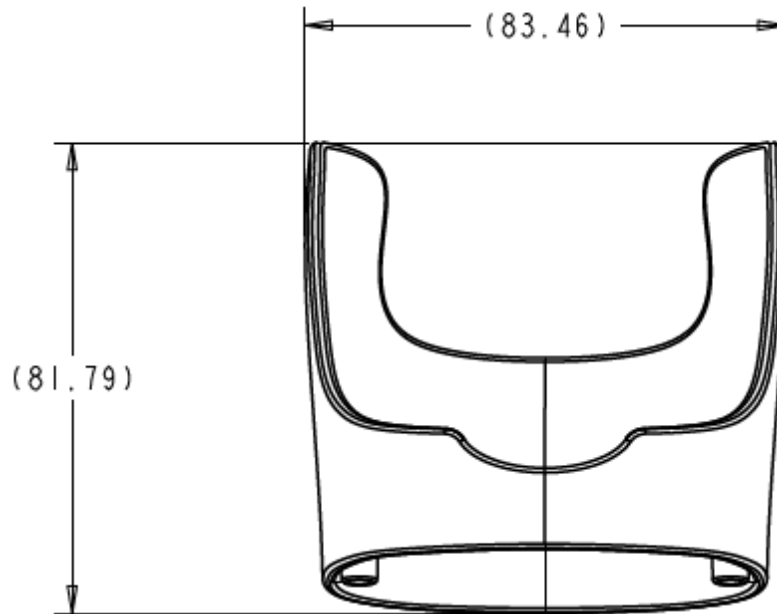


Fig 4. (Height / Width in mm)

Honeywell currently doesn't provide mounting guidance / measurements for the HOLDER-10-U and hence the support team provides below some rough guidance on the required space for mounting.

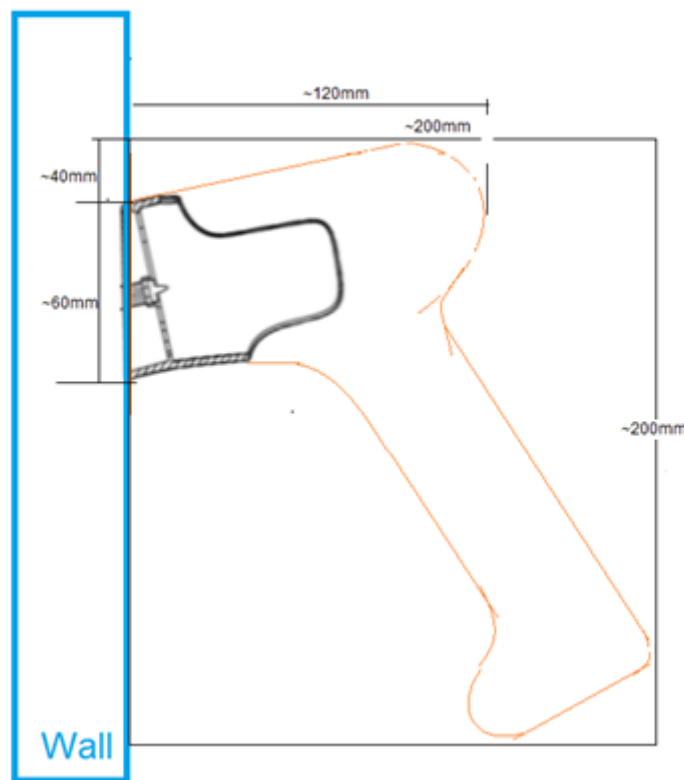
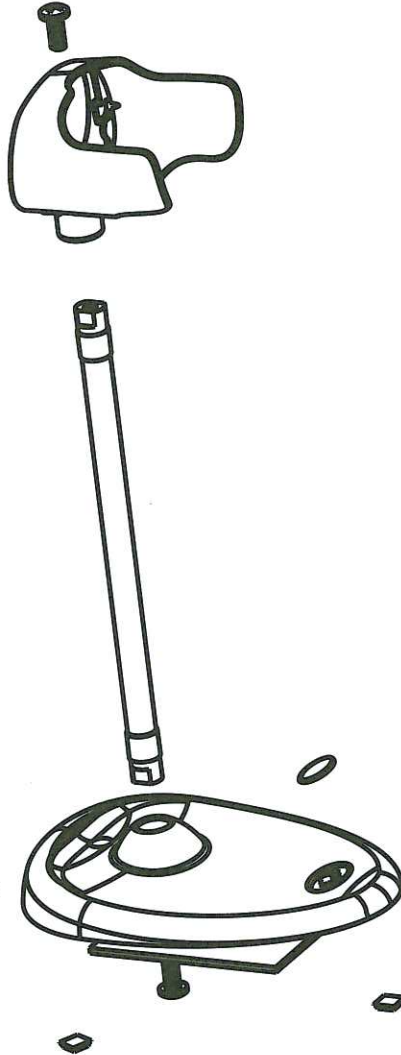


Fig 5. indicational drawing for required space

Under no circumstances will Honeywell International Inc. be liable to any person or business entity for any direct, indirect, special, incidental, consequential or other damages based on any use of the information in this document or any other linked or referenced document, including, without limitation, any lost profits, business interruption, or loss of programs or information, even if Honeywell International Inc. has been specifically advised of the possibility of such damages

Honeywell

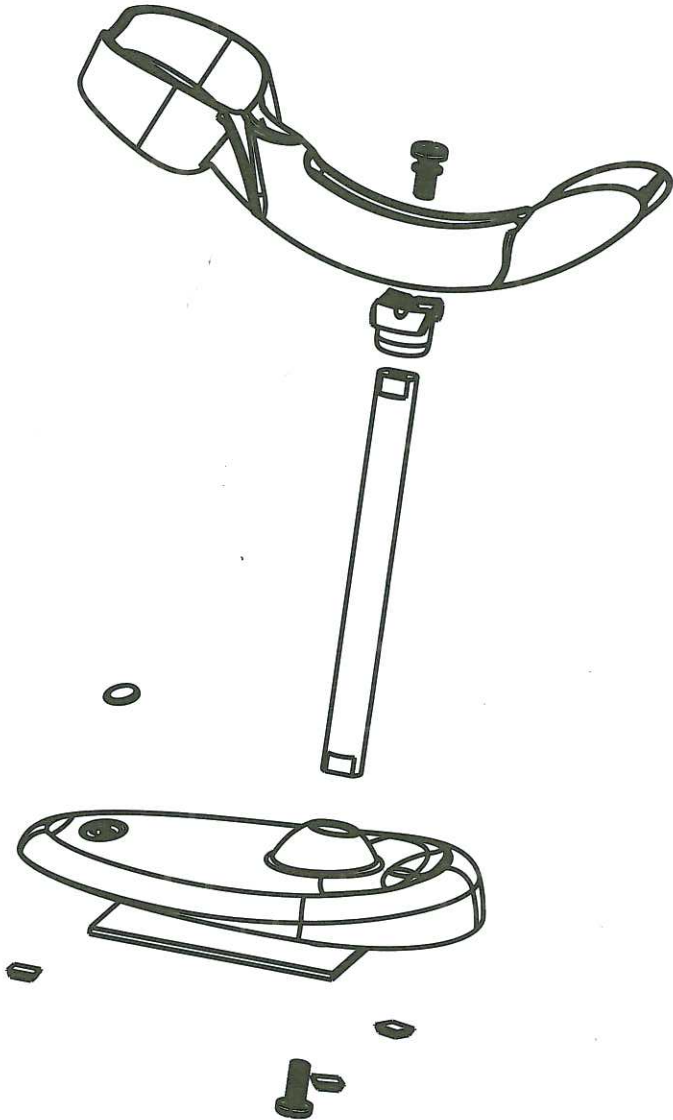
I91XI STAND 9'' NECK INSTALLATION



I91XI STANDSHEET Rev A

Honeywell

191X1 STAND 6'' ROD INSTALLATION



191X1 STANDSHEET Rev A

VMHOLDERK - Vehicle Mount Holder Kit

The Vehicle Mount Holder kit, is a kit that includes all that is needed to have a holder to rest the scanner in, when it is not used. The intention is that the operator can quickly put the scanner in to the holder, and get it out again. The adjustable joint allows mounting the holder in a way the scanner will not fall out the holder, when the vehicle it is mounted to, encounters bumps and sills on its way.

The kit is packed in a white box with label;

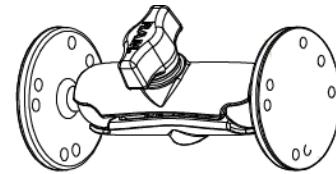
- BOX, MOTTLED WHITE W/O LOGO
size 7.625 x 4 x 3.25

with label;

- LABEL, AGENCY PKG LABEL
(The standard 4" x 2" Honeywell box label 'J' with item barcode, description en BOM rev indication)

It includes the following parts:

- **BRACKET, 3800I VEHICLE MT HOLDER,**
PN# 100003664 -->
- **MOUNTING BRKET SMALL 7400VB, RAM-B-101U,**
PN# 8000046 -->
- **SCREW ASSEMBLY FOR VMHOLDERE**
PN# 50111876-001 -->

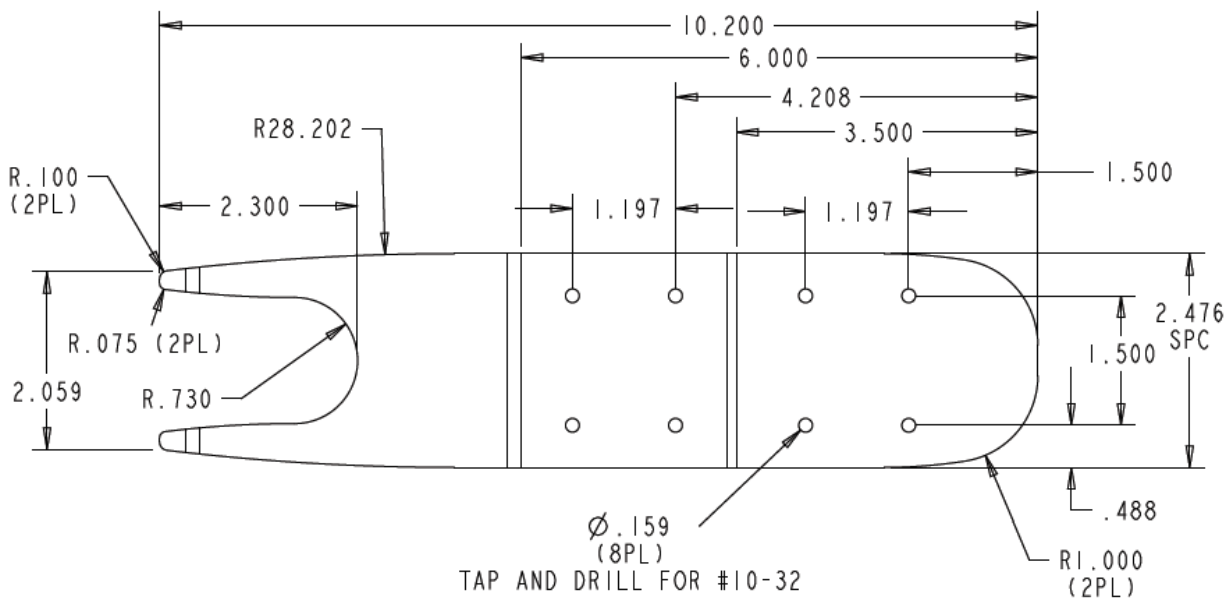
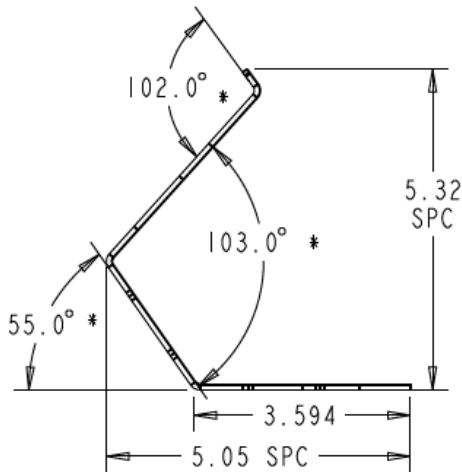


4 screws in a plastic bag
10-32 Philips, black zinc, 0.375

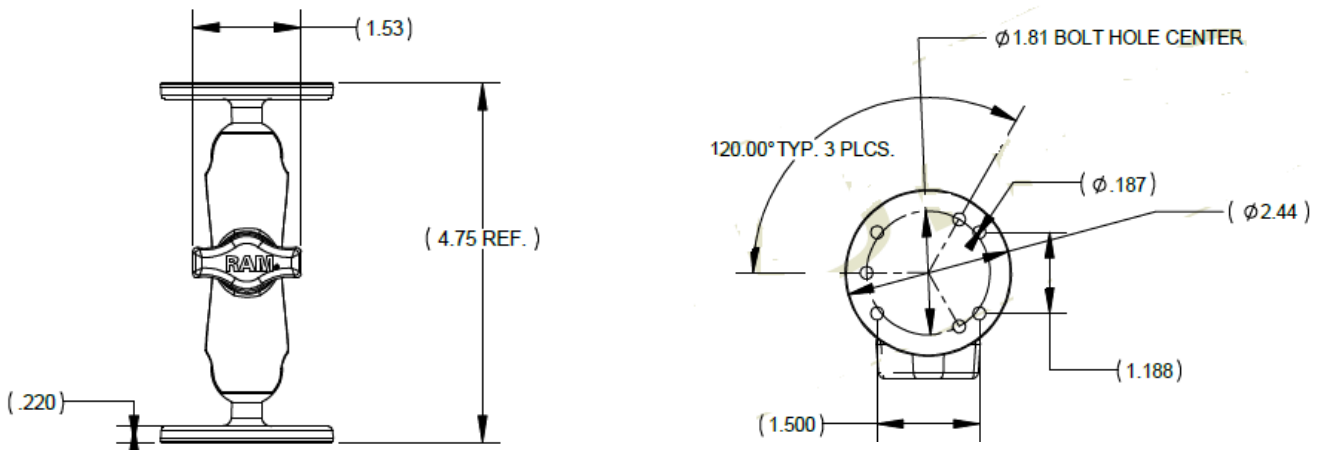


NOTE: Granit housing is not hold as tight by the holder as the original 3800i,4800i, IT5800 housings did

Measurements: BRACKET, 3800I VEHICLE MT HOLDER PN# 100003664



Measurements: MOUNTING BRKET SMALL 7400VB, RAM-B-101U (adjustable mount) PN# 8000046



Under no circumstances will Honeywell International Inc. be liable to any person or business entity for any direct, indirect, special, incidental, consequential or other damages based on any use of the information in this document or any other linked or referenced document, including, without limitation, any lost profits, business interruption, or loss of programs or information, even if Honeywell International Inc. has been specifically advised of the possibility of such damages

INSTALLATION & MAINTENANCE INSTRUCTIONS

TOOL BALANCER

MOUNT REEL
1a

Mount reel to secure structure directly above work.

1b

NOTE:
Disregard this step if reel is pre-mounted to Torq-Arm or other equipment.

ATTACH TOOL
2a

Raise tool and attach to hook on end of cable.

CAUTION:
Do not pull cable down. It is spring loaded and could cause injury if allowed to snap back.

2b

Be sure tool is securely hooked to cable. Do not drop tool. Tool may be heavier than spring can lift before spring is adjusted.

! CAUTION
Maximum weight that can be supported is 1.5 lbs (0.7 kg)

ADJUST TOOL HEIGHT
3a

Determine ideal height for tool when tool is not being used.

! CAUTION
Maximum cable extended length is 72" (1.8 m)

3b

Slide ball stop up or down cable to hold tool at determined height.

Keep a minimum of 3 inches between ball stop and end of cable.

INCREASING LIFT
4

To **INCREASE** spring tension, turn "palm knob" clockwise until tool rises to ball stop.

CAUTION
Do not turn "Palm Knob" counterclockwise.

REDUCING LIFT
5

To **DECREASE** spring tension, repeatedly depress button on top of the reel.

ADJUST DRAG
6

DRAG BRAKE adds friction to the spool and allows you to *fine tune* the reel. Add or subtract friction by turning screw on back of reel.

INCREASE DRAG

DECREASE DRAG

SAFETY FIRST
7

It is recommended that a safety cable be installed to a second support in the unlikely event of failure of the first mounting point.

MAINTENANCE:

Periodically inspect cable and hook for wear or looseness. Replace unit if required. Do not lubricate; balance reel is permanently lubricated.



CAUTION:

Do not attempt to remove spring from its canister. Damage or personal injury could result.

Honeywell

Honeywell International Inc.
www.honeywellaidc.com

Access Point AP-010BT/AP-100BT

Quick Start Guide

Aller à www.honeywellaidc.com pour le français.

Vai a www.honeywellaidc.com per l'italiano.

Gehe zu www.honeywellaidc.com für Deutsch.

Ir a www.honeywellaidc.com para español.

Idź na stronę : www.honeywellaidc.com po quick start w języku polskim.

Перейти на русскоязычный сайт www.honeywellaidc.com.

Pro češtinu jdi na www.honeywellaidc.com.

Pre slovenčinu choď na www.honeywellaidc.com

Para Português, acesse www.honeywellaidc.com.br.

日本語 : www.honeywellaidc.com をご覧ください。

如要到中国 www.honeywellaidc.com (简体)。

查看繁体版请登陆 www.honeywellaidc.com

한글 www.honeywellaidc.com 로 이동합니다 .

.www.honeywellaidc.com לגרסה בעברית, עבור לאתר האינטרנט בכתובת

انتقل إلى www.honeywellaidc.com للغة العربية



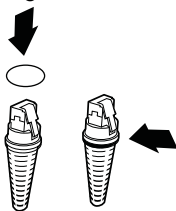
ACC-PT-QS

Rev E
7/15

Connecting the Access Point

Note: Refer to your User's Guide at www.honeywellaidc.com to determine which Access Point model is compatible with your scanner.

1. Slide the O-ring into the groove in the connector.

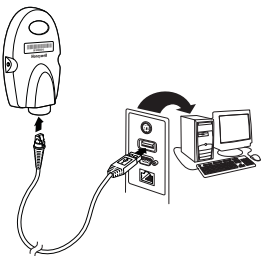


Note: If you choose not to install the O-ring, the Access Point will be rated to IP41, instead of IP54.

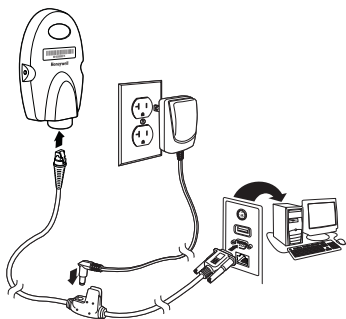
2. Plug the interface cable into the Access Point first and then into the appropriate port on the computer. The Page button blinks when the Access Point is first connected to the host.

3. Turn on the computer (laptop/desktop).

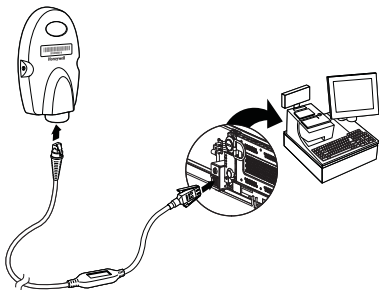
USB Connection:



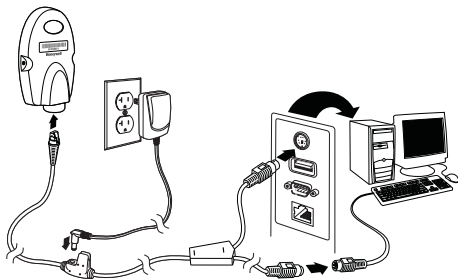
RS232 Connection:



RS485 Connection:



Keyboard Wedge Connection:



Linking a Scanner

4. Scan the linking bar code on the top of the Access Point to establish a connection between the Access Point and the scanner.

The scanner emits a short beep and flashes the green LED to confirm a connection with the Access Point. The Access Point's Page button light turns solid blue.



Linking a 4820 Scanner

5. Remove the 4820 Linking bar code from the Access Point kit and attach it to the Access Point. Scan the 4820 Linking bar code to establish a connection between the Access Point and the 4820 scanner. The scanner emits a short beep and flashes the green LED to confirm a connection with the Access Point. The Access Point's Page button remains blue. If you have difficulty connecting with your 4820, it may be due to Code XML software in your scanner. Scan the following bar code, then scan the 4820 Linking bar code. These steps may resolve this connection problem.



Code XML Off

Managing Connections

Auto Reconnect Mode

By default, the Access Point is set to **Auto Reconnect On**, so the scanner begins the relink process immediately, when a connection to the Access Point is lost. If you do not want to relink automatically, scan the **Auto Reconnect Off** bar code.



*** Auto Reconnect On**



Auto Reconnect Off

Changing Batteries

If the scanner turns off due to a low battery, you can change the battery without losing the link with the Access Point, provided the scanner is in range. A few seconds after the scanner powers up, the scanner relinks to the Access Point. Refer to your User's Guide at www.honeywellaidc.com for additional information about charging the batteries.

Low Power Mode

When there is no activity within a specified time period, the scanner enters a low power mode. The default time out period is one hour. Press the scanner's trigger to power the scanner back up. If the scanner was linked to the Access Point when it went to "sleep," it will re-link as long as it is in range.

If multiple scanners use the same Access Point, it is possible to inadvertently unlink a scanner that is in "sleep" mode, that has a dead battery, or is in the process of getting a new battery. To prevent this from happening, you can disable the sleep mode (time out) by scanning the **No Time Out** bar code below.



No Time Out (0)

Unlinking the Scanner from Access Point

If you know that your scanner is not going to be used for a while, you can unlink the scanner by scanning the **Unlink Scanner** bar code below.

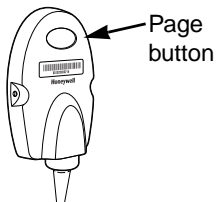


Unlink Scanner

Page Button

Note: This feature does not apply to 4820 scanners.

When you press the Page button on the Access Point, the scanners associated with that Access Point will begin beeping (3 short and 1 long beep). If you press the trigger on a scanner that is beeping in response, or press the Page button on the Access Point a second time, all associated scanners will stop beeping.



LED Dimmer

Scan a bar code to set the brightness of your Page button.



LED Dimmer Off



LED Dimmer - Low



LED Dimmer - Bright

Adding Carriage Return Suffix

If you want a carriage return (CR) to display after the bar code data on your output, scan the **Add CR Suffix** bar code below. Scan the **Clear All Suffixes** bar code to remove suffixes.



Add CR Suffix



Clear All Suffixes

Standard Product Defaults

This bar code resets all standard product default settings.

Note: Resetting standard defaults disconnects the scanner from the Access Point. Scan the Linking bar code to re-establish a connection. Refer to your User's Guide at www.honeywellaidc.com for additional information about product defaults.

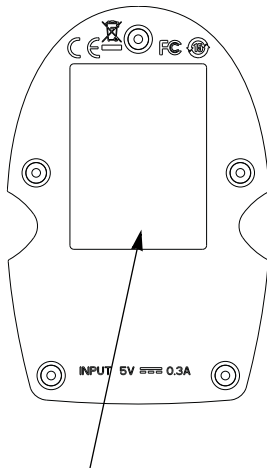


Standard Product Default Settings

Additional Programming

The Access Point has all the programming capability of a Cordless Charge Base. Refer to Cordless System Operation information in your User's Guide at www.honeywellaidc.com for programming information.

Required Safety Labels



Label location for item number, serial number, revision information, compliance, and safety information

Product Specifications

Parameter	Specification
Dimensions (Typical): Height Length Width Weight	1.1 inch (28mm) 4.3 inches (109mm) 2.8 inches (71mm) 2.3 ounces (66g)
Voltage Requirements	5 VDC \pm 0.5V
Current Draw	100mA @ 5 volts typical 300mA @ 5 volts maximum
Temperature Ranges: Operating Storage	32° F to +122° F (0° C to +50° C) -40° F to +158° F (-40° C to +70° C)
Radio: Frequency Range - AP-010BT Range - AP-100BT Data Rate	2.4 to 2.5 GHz (ISM Band) Frequency Hopping Bluetooth v.2.1 33 ft. (10m) typical 328 ft. (100m) typical Up to 1MBps
Humidity	5 to 95% non-condensing
Mechanical Drop	Operational after 50 drops from 3.28 feet (1 m) to concrete
Vibration	5G Peak from 22Hz to 300Hz
ESD Sensitivity	Up to 15kV direct air Up to 8 kV indirect coupling plane

Technical Assistance

Contact information for technical support and product service can be found at www.honeywellaidc.com.

Limited Warranty

Refer to www.honeywellaidc.com/warranty_information for your product's warranty information.

Disclaimer

Honeywell International Inc. ("HII") reserves the right to make changes in specifications and other information contained in this document without prior notice, and the reader should in all cases consult HII to determine whether any such changes have been made. The information in this publication does not represent a commitment on the part of HII.

HII shall not be liable for technical or editorial errors or omissions contained herein; nor for incidental or consequential damages resulting from the furnishing, performance, or use of this material.

This document contains proprietary information that is protected by copyright. All rights are reserved. No part of this document may be photocopied, reproduced, or translated into another language without the prior written consent of HII.

© 2010-2015 Honeywell International Inc. All rights reserved.

Web Address: www.honeywellaidc.com



Charge-Only Base COB02

Installation Guide



COB02-INST

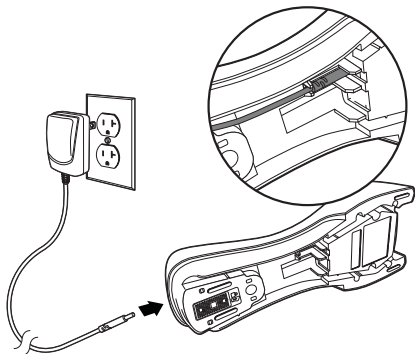
Rev B
9/15

Introduction

Honeywell's Charge-Only Base can fully charge an industrial wireless area-imaging scanner in 5 hours, maximizing uptime in any application.

Note: When a scanner is placed into the Charge-Only Base, the battery will charge. Please note that the Charge-Only Base will not facilitate communication with the host system or other scanners.

Installation



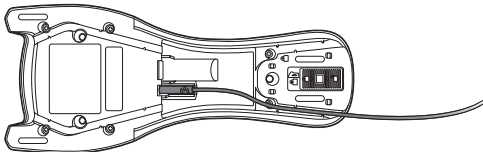
Connect the power adapter to the Charge-Only Base, then plug the power supply into an AC power outlet. Make sure the AC power outlet voltage is the same as the power supply.

Use only a Listed Limited Power Source (LPS) or Class 2 type power supply with output rated 5 to 5.2Vdc, 1A. We recommend use of Honeywell power adapters. Use of any non-Honeywell power adapters may cause damage not covered by the warranty.

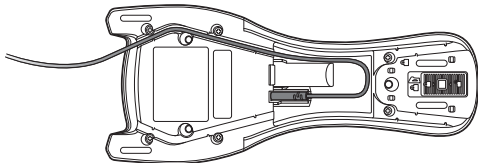
Mounting a COB02 Base

The COB02 Base can be mounted on either a horizontal or vertical surface. The cable can be routed through either the top or the bottom of the base.

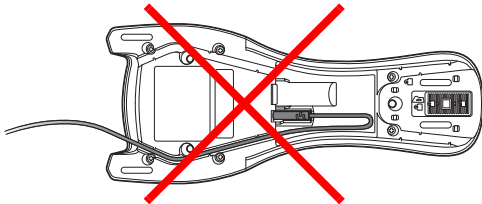
The cable can be routed down through the bottom of the base, securing the cable in the wireway.



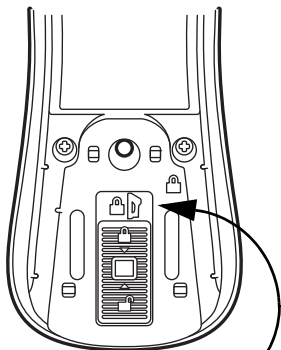
The cable can also be routed up through the top of the base, but must be crossed over and secured in the wireway.



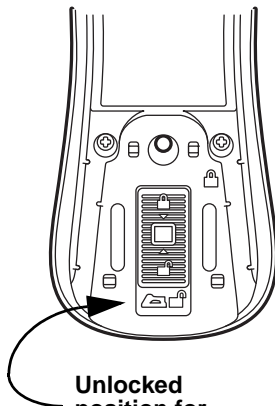
When routing the cable up through the top of the base, be sure to cross the cable over before placing in the wireway. If not, too much strain is placed on the cable connector.



When mounted on a vertical surface, a locking system is used to secure the scanner when it is in the stand. When mounted on a horizontal surface, the locking mechanism should be set to unlocked (pushed up). When mounted on a vertical surface, the locking mechanism should be set to locked (pushed down).

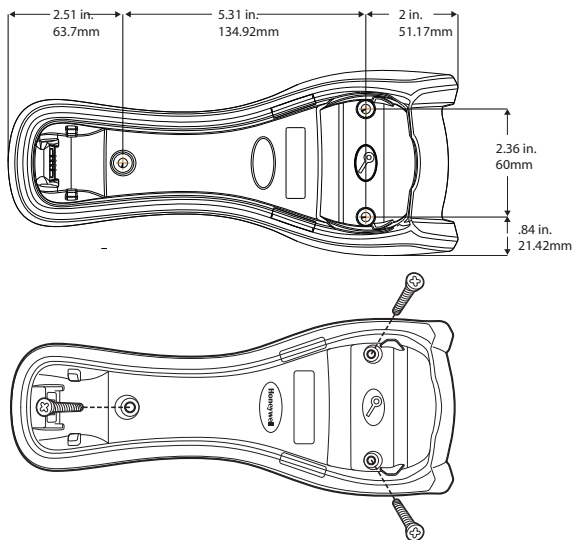


**Locked
position for
vertical
mount**



**Unlocked
position for
horizontal
mount**

Use 30mm screws, appropriate for the mounting surface material, to mount the base securely.



Operation and Indicators

1. Place a scanner into the cradle to charge.
2. When a scanner is inserted, the green LED flashes according to the chart below. If the Green LED does not appear, check to make sure the scanner is seated completely in the charger with the battery contacts touching the contacts on the charger.

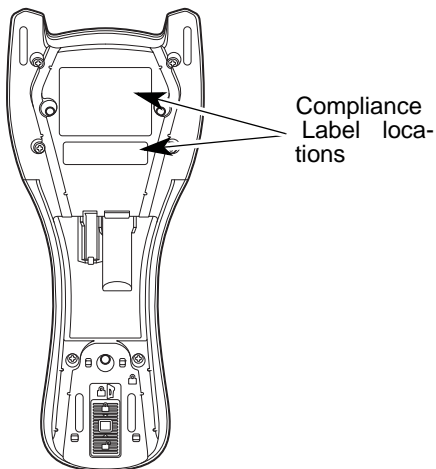
3. When the battery is completely charged, the green charging indicator stops flashing and stays illuminated.

LED Indicators	
Red	
On	Power is on
Green	
Off	Battery not detected
Slow flash	Pre-charge and charge
On	Charge completed
Fast flash	Charge suspended due to a fault condition

COB02 Product Specifications

Dimensions (Typical):	
Height	2.6 in. (6.6cm)
Length	9.8 in. (24.98mm)
Width	4.05 in. (10.28cm)
Weight	10.05 oz. (285g)
Voltage	4.5 to 5.5 volts
Current	1A
Charge Time	5 hours
Charge Temperature	41° F to +104° F (5° C to +40° C)
Humidity	Up to 95% non-condensing
Mechanical Drop	Operational after 50 drops from 3.94 feet (1.2m) to concrete within the temperature range of -4° F (-20° C) to 122° F (50° C).
Vibration	Complies with MIL-STD-810G, Method 514.6, Annex C
ESD Immunity	Up to 20kV direct air Up to 8 kV indirect coupling plane
IP Rating	IP51, immunity of foreign particles and dripping water

Required Safety Labels



Cleaning the Charge-Only Base

Unplug the Charge-Only Base from the power supply before cleaning.

Clean the housing of the Charge-Only Base with a soft cloth or tissue dampened with water (or a mild detergent- water solution). If a detergent solution is used, rinse with a clean tissue dampened with water only.



Never use solvents (e.g., alcohol or acetone) on the housing – solvents may damage the finish.

Technical Assistance

Contact information for technical support, product service, and repair can be found at www.honeywellaidc.com.

Limited Warranty

Refer to www.honeywellaidc.com/warranty_information for your product's warranty information.

Patents

For patent information, please refer to www.honeywellaidc.com/patents.

Disclaimer

Honeywell International Inc. ("HII") reserves the right to make changes in specifications and other information contained in this document without prior notice, and the reader should in all cases consult HII to determine whether any such changes have been made. The information in this publication does not represent a commitment on the part of HII.

HII shall not be liable for technical or editorial errors or omissions contained herein; nor for incidental or consequential damages resulting from the furnishing, performance, or use of this material. HII disclaims all responsibility for the selection and use of software and/or hardware to achieve intended results.

This document contains proprietary information that is protected by copyright. All rights are reserved. No part of this document may be photocopied, reproduced, or translated into another language without the prior written consent of HII.

© 2012-2015 Honeywell International Inc. All rights reserved.

Web Address: www.honeywellaidc.com

CCB02-100BT/ CCB05-100BT Base

Installation Guide

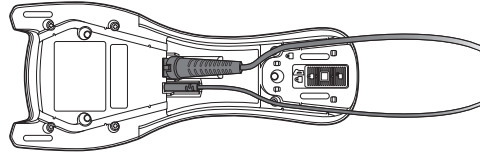


GRNTBASE-INST
Rev B 03/15

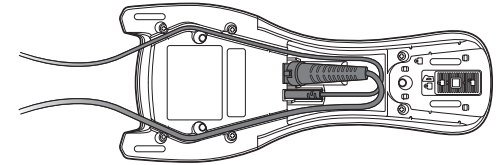
Mounting a CCB02-100BT/CCB05-100BT Base

The CCB02-100BT/CCB05-100BT Base can be mounted on either a horizontal or vertical surface. The cables can be routed through either the bottom or the top of the base.

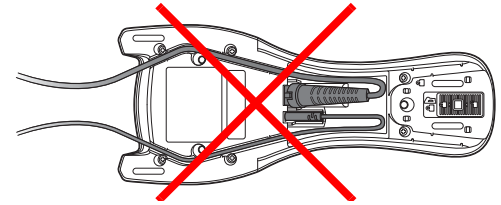
The cables can be routed down through the bottom of the base, securing the cables in the wireways.



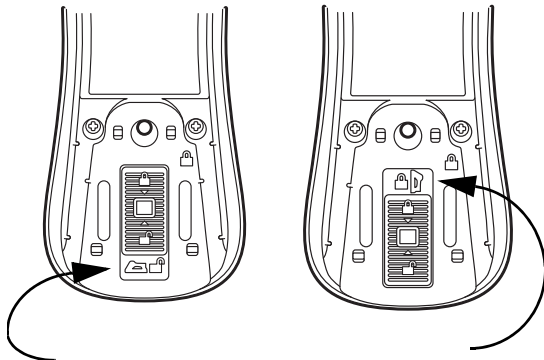
The cables can also be routed up through the top of the base, crossing them over and securing the cables in the wireways.



When routing the cables up through the top of the base, be sure to cross the cables over before placing in the wireways. If not, too much strain is placed on the cable connectors.



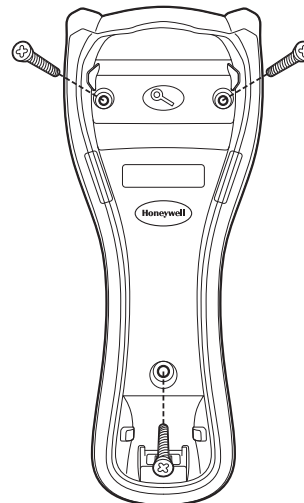
When mounted on a vertical surface, a locking system is used to secure the scanner when it is in the stand. When mounted on a horizontal surface, the locking mechanism should be set to unlocked (pushed up). When mounted on a vertical surface, the locking mechanism should be set to locked (pushed down).



Unlocked position for horizontal mount

Locked position for vertical mount

Use 3 screws, appropriate for the mounting surface material, to mount the base securely.



Limited Warranty

Refer to www.honeywellaidc.com/warranty_information for your product's warranty information.

Patents

For patent information, see www.hsmpats.com.

Disclaimer

Honeywell International Inc. ("HII") reserves the right to make changes in specifications and other information contained in this document without prior notice, and the reader should in all cases consult HII to determine whether any such changes have been made. The information in this publication does not represent a commitment on the part of HII.

HII shall not be liable for technical or editorial errors or omissions contained herein; nor for incidental or consequential damages resulting from the furnishing, performance, or use of this material.

This document contains proprietary information that is protected by copyright. All rights are reserved. No part of this document may be photocopied, reproduced, or translated into another language without the prior written consent of HIL.

Copyright © 2012–2015 Honeywell International Inc. All rights reserved.

Web Address: www.honeywellaidc.com

Multi-Bay Battery Charger

Installation Guide



MBC-INST Rev C
10/14

For localized language versions of this document, go to www.honeywellaidc.com.

Introduction

Honeywell's Multi-Bay Battery Charger can fully charge up to four lithium-ion batteries in less than eight hours (typically 4.5 hours), maximizing uptime in any application.

Note: When a battery is placed into the Multi-Bay Battery Charger, the battery will charge. Please note that the Multi-Bay Battery Charger will not facilitate communication with the host system or other imagers.

Multi-Bay Battery Charger Operation and Indicators

First, connect the right angle power adapter to the Multi-Bay Battery Charger. Then plug the power supply into an AC power outlet. Make sure the AC power outlet voltage is the same as the power supply.

Note: Use only a UL/cUL listed power supply with output rated 5Vdc, 4A. We recommend use of Honeywell approved power adapters. Use of any non-Honeywell approved power adapters may cause damage not covered by the warranty.

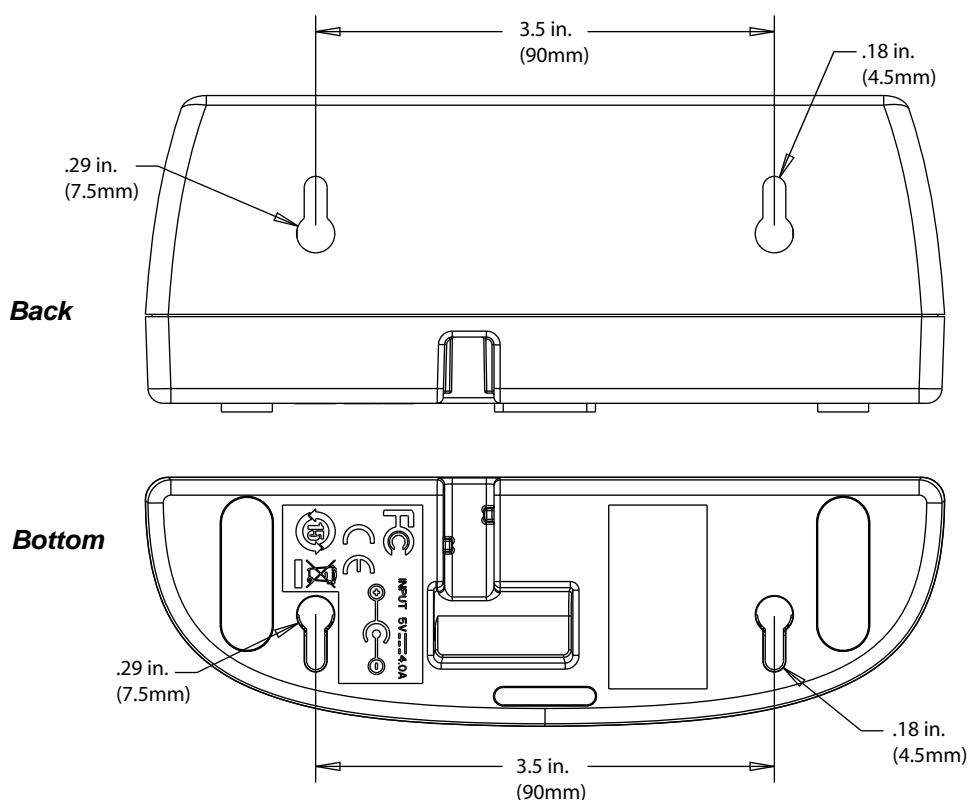
1. Place a battery into a cradle to charge.
2. When a battery is inserted, the green LED flashes 3 times, then flashes slowly. If the Green LED does not appear, check to make sure the battery pack is seated completely in the charger with the battery contacts facing the contacts on the charger.
3. When the battery is completely charged, the charging indicator stops flashing and stays illuminated.

Operational temperature for charging the battery is 41° to 104°F (5° to 40°C).

LED Indicators	
Off	Battery not detected
3 flashes	Battery inserted into base
Slow flash	Pre-charge and charge
On	Charge completed
Fast flash	Charge suspended due to a fault condition

Mounting

Mount the Multi-Bay Battery Charger on any smooth surface according to the following dimensions:



If a metal or wood stud is present, drill a 3/32 inch (2.38mm) pilot hole into the stud and use the supplied #6 x 1 screw to attach the Multi-Bay Charger to the wall. For any of the screws positioned so that they are going directly into dry wall, use a sheet rock anchor/screw set such as the one listed below. Make sure the weight of the power supply is supported separately.

Wall	Recommended Anchors
Sheet Rock	Buildex E-Z Anchor Stud Solver Medium Duty Drywall Anchor (Model #25216); supports 50 lbs. (22.68kg)
Wood/Metal	#6 x 1 screws included

About the Battery



Use only Honeywell Li-ion battery packs **BAT-SCN01** in this device. Use of any non-Honeywell battery may result in damage not covered by the warranty.

Battery Recommendations

- Batteries are shipped approximately 30% to 60% charged and should be fully charged for maximum charge capacity.
- The battery is a lithium ion cell and can be used without a full charge, and can also be charged without fully discharging without impacting the battery life. There is no need to perform any charge/discharge conditioning on this type of battery.
- Do not disassemble the battery. There are no user-serviceable parts in the battery.
- Do not allow metallic conductive objects to contact battery terminals. Do not short-circuit a battery or throw it into a fire; it can explode and cause severe personal injury.
- Improper battery use may result in a fire, explosion, or other hazard.
- Although your battery can be recharged many times, it will eventually be depleted. Replace it after the battery is unable to hold an adequate charge.
- If you are not sure if the battery or charger is working properly, send it to Honeywell International Inc. or an authorized service center for inspection. Refer to [Technical Assistance](#) on page 2 for additional information.

Proper Disposal of the Battery



When the battery has reached the end of its useful life, promptly dispose of used batteries in accordance with local regulations. Do not incinerate the battery. This battery pack contains Lithium-ion chemistry. You may send the imager's battery to us (postage paid). The shipper is responsible for complying with all federal, state, and local laws and regulations related to the packing, labeling, manifesting, and shipping of spent batteries. Contact [Technical Assistance](#), below, for recycling or disposal information. Since you may find that your cost of returning the batteries significant, it may be more cost effective to locate a local recycle/disposal company.

Cleaning the Multi-Bay Battery Charger

Unplug the Multi-Bay Battery Charger from the power supply before cleaning.

Clean the housing of the Multi-Bay Battery Charger with a soft cloth or tissue dampened with water (or a mild detergent- water solution). If a detergent solution is used, rinse with a clean tissue dampened with water only.



Never use solvents (e.g., alcohol or acetone) on the housing – solvents may damage the finish.

Disclaimer

Honeywell International Inc. ("HII") reserves the right to make changes in specifications and other information contained in this document without prior notice, and the reader should in all cases consult HII to determine whether any such changes have been made. The information in this publication does not represent a commitment on the part of HII.

HII shall not be liable for technical or editorial errors or omissions contained herein; nor for incidental or consequential damages resulting from the furnishing, performance, or use of this material.

This document contains proprietary information that is protected by copyright. All rights are reserved. No part of this document may be photocopied, reproduced, or translated into another language without the prior written consent of HII.

© 2009-2014 Honeywell International Inc. All rights reserved.

Other product names or marks mentioned in this document may be trademarks or registered trademarks of other companies and are the property of their respective owners.

Web Address: www.honeywellaidc.com

Technical Assistance

Contact information for technical support, product service, and repair can be found at www.honeywellaidc.com.

Limited Warranty

Refer to www.honeywellaidc.com/warranty_information for your product's warranty information.



BAT-SCN01 Rechargeable Lithium-ion Battery Pack Insert

Charging the Battery Pack

You may need to fully charge the battery pack before using it in your Honeywell bar code scanner. You can charge Lithium-ion (Li-ion) batteries after a partial discharge without affecting the original battery capacity. A battery typically charges in four hours or less. Reference your charging device's user documentation for details. You can charge the battery pack while it is in or out of the scanner, depending on your charging device.

Specifications

Note: Design and specifications are subject to change without notice.

Parameter	Specification
Product	Rechargeable (secondary) Li-ion battery (Model BAT-SCN01; PNs: 100006732, 50121527)
Dimensions	21.0 x 21.5 x 99.5 mm (0.83 x 0.85 x 3.92 in)
Weight	55 g (1.94 oz)
Battery Configuration	1S1P (1 - series 1 - parallel), 3.75V / 2400mAh / 9Wh
Maximum output/charge voltage	4.2V
Nominal output voltage	3.75V
Minimum capacity	2400 mAh (9 Wh)
Operating Temperature	-20 °C to 60 °C (-4 to 140 °F)
Charging Temperature	0 °C to 45 °C (32 to 113 °F)

Battery Life and Storage Recommendations

- For maximum battery life, charge the battery at 23 °C (73 °F) and store at 23 °C (73 °F) with a 50% charge.
- Do not store the battery at temperatures above 60 °C (140 °F), such as inside of a car on a hot day or in direct sunlight. Storage above 60 °C (140 °F) may damage the battery.

Battery Cautions and Disposal Recommendations

- Use battery pack BAT-SCN01 in Honeywell approved devices. Any other use of this battery pack could result in damage to the device or to the battery pack.
- Only charge your battery pack with a Honeywell-approved charger.
- Replace the battery only with another BAT-SCN01 battery. These batteries have been tested in accordance with applicable safety standards. Contact your Honeywell sales representative or distributor if this battery is no longer available.
- Promptly dispose of used batteries in accordance with local regulations. This battery pack contains Lithium-ion chemistry.
- Do not allow metallic conductive objects to contact battery terminals. Do not short-circuit a battery or throw it into a fire; it can explode and cause severe personal injury.
- Improper battery use may result in a fire, explosion, or other hazard.

Caution: Risk of fire and burns. Do not open, crush, heat above 60 °C. Charge with specified charger only.

警告：放入火中或者燃燒有風險，請勿打開，擠壓，或者在 60 °C 以上的溫度中加熱。只能使用指定充電器充電。

Mise en garde : Risque d'incendie et de brûlure. Ne pas ouvrir, écraser, chauffer au-dessus de 60 °C. N'utiliser qu'avec les chargeurs spécifiés.

Technical Assistance

Contact information for technical support, product service, and repair can be found at www.honeywellaidc.com.



FCC Part 15 Subpart B Class B

This device complies with part 15 of the FCC Rules. Operation is subject to the following two conditions:
1. This device may not cause harmful interference.
2. This device must accept any interference received, including interference that may cause undesired operation.

This equipment has been tested and found to comply with the limits for a Class B digital device pursuant to part 15 of the FCC Rules. These limits are designed to provide reasonable protection against harmful interference in a residential installation. This equipment generates, uses, and can radiate radio frequency energy and, if not installed and used in accordance with the instructions, may cause harmful interference to radio communications. However, there is no guarantee that interference will not occur in a particular installation. If this equipment does cause harmful interference to radio or television reception, which can be determined by turning the equipment off and on, the user is encouraged to try to correct the interference by one or more of the following measures:

- Reorient or relocate the receiving antenna.
• Increase the separation between the equipment and receiver.
• Connect the equipment into an outlet on a circuit different from that to which the receiver is connected.
• Consult the dealer or an experienced radio or television technician for help.

If necessary, the user should consult the dealer or an experienced radio/television technician for additional suggestions. Honeywell is not responsible for any radio or television interference caused by unauthorized modifications of this equipment or the substitution or attachment of connecting cables and equipment other than those specified by Honeywell. The correction is the responsibility of the user.
Caution: Any changes or modifications made to this equipment not expressly approved by Honeywell may void the FCC authorization to operate this equipment.

Canadian Compliance

This Class B digital apparatus complies with Canadian ICES-003. Operation is subject to the following conditions:
1. This device may not cause harmful interference.
2. This device must accept any interference received, including interference that may cause undesired operation.

Conformité à la réglementation canadienne

Cet appareil numérique de la Classe B est conforme à la norme NMB-003 du Canada. Son fonctionnement est assujéti aux conditions suivantes :
1. Cet appareil ne doit pas causer de brouillage préjudiciable.
2. Cet appareil doit pouvoir accepter tout brouillage reçu, y compris le brouillage pouvant causer un fonctionnement indésirable.

Table with 8 columns containing technical specifications and safety information in multiple languages (English, French, German, Italian, Spanish, Chinese, Japanese, Korean).

Table with 8 columns containing CE marking information and compliance details in multiple languages.

Table with 8 columns containing CE marking information and compliance details in multiple languages.

Table with 8 columns containing LED Safety Statement and Norme de sécurité sur les DEL in multiple languages.

Table with 8 columns containing LED safety information and Norme de sécurité sur les DEL in multiple languages.

Table with 8 columns containing CB Scheme and Plan OC (organismes de certification) information in multiple languages.

Table with 8 columns containing CB Scheme and Plan OC (organismes de certification) information in multiple languages.




Table with 8 columns containing Patents and Brevets information in multiple languages.


Table with 8 columns containing Laser Safety Statement and Déclaration de sécurité relative au laser in multiple languages.

Table with 8 columns containing Laser safety information and Déclaration de sécurité relative au laser in multiple languages.

Table with 8 columns containing Product Environmental Information and Renseignements relatifs à propos des produits in multiple languages.

Table with 8 columns containing Product Environmental Information and Renseignements relatifs à propos des produits in multiple languages.

 <p>TÜV R Statement TÜV R listed: UL 60950-1, Second Edition and CSA C22.2 No.60950-1-07, Second Edition.</p>	 <p>Normes TÜV R Homologué TÜV R : UL 60950-1, seconde édition et CSA C22.2 No. 60950-1-07, seconde édition.</p>	<p>If the following label is attached to your product, the product meets Korean agency approval:</p>  <p>이 기기는 가정용 (B 급) 전자파적합기기로서 주로 가정에서 사용하는 것을 목적으로 하며, 모든 지역에서 사용할 수 있습니다.</p> <p>This product is EMC B grade equipment, intended for residential use. This equipment can be used in any area.</p>		
--	--	--	--	--

 <p>产品中有害物质的名称及含量 (Names and Content of Hazardous Substances in the Product)</p>						
<p>部件名称 (Parts Name)</p>	<p>有害物质 (Hazardous Substances)</p>					
	<p>铅 (Pb)</p>	<p>汞 (Hg)</p>	<p>镉 (Cd)</p>	<p>六价铬 (Cr6+)</p>	<p>多溴联苯 (PBB)</p>	<p>多溴二苯醚 (PBDE)</p>
<p>成像式二维条码阅读器 (2D Imager)</p>	<p>x</p>	<p>o</p>	<p>o</p>	<p>o</p>	<p>o</p>	<p>o</p>
<p>印刷电路板 (PCB)</p>	<p>x</p>	<p>o</p>	<p>o</p>	<p>o</p>	<p>o</p>	<p>o</p>
<p>外壳 (Housing)</p>	<p>o</p>	<p>o</p>	<p>o</p>	<p>o</p>	<p>o</p>	<p>o</p>
<p>连线 (Cables)</p>	<p>o</p>	<p>o</p>	<p>o</p>	<p>o</p>	<p>o</p>	<p>o</p>
<p>本表格依据 SJ/T11364 的规定编制。(The table is created by SJ/T11364 requirement.) o: 表示该有害物质在该部件所有均质材料中的含量均在 GB/T26572 标准规定的限量要求以下。(Indicates that this hazardous substance contained in all of the homogeneous materials for this part is below the limit requirement in China's GB/T26572.) x: 表示该有害物质至少在该部件的某一均质材料中的含量超出 GB/T26572 标准规定的限量要求。(Indicates that this hazardous substance contained in at least one of the homogeneous materials for this part is above the limit requirement in China's GB/T26572.)</p>						

<p>This document was prepared and executed in the English language. In the event this document is translated into another language and a conflict arises between the English version and a non-English version, the English version shall prevail, it being recognized and acknowledged that the English language version most clearly expresses the intent of the parties. Any notice or communication given in connection with this document must include a version in the English language.</p>	<p>Ce document a été préparé et exécuté dans la langue anglaise. Dans l'éventualité où le document serait traduit dans une autre langue et qu'un litige surviendrait entre la version en anglais et la version autre qu'en anglais, la version en anglais prévaudra, étant confirmé et reconnu que la version en anglais exprime de façon plus précise l'intention des parties. Tout avis ou toute communication relatif à ce document doit inclure une version en anglais.</p>	<p>Ce document a été préparé et finalisé en anglais. Si ce document est traduit dans une autre langue et si un conflit survient entre la version en anglais et la version traduite, la version en anglais prévaudra tant il est reconnu et établi qu'elle exprime le plus clairement les intentions des parties. Tout avis ou communication produit en relation avec ce document doit comporter une version en anglais.</p>	<p>Questo documento è stato preparato e redatto in lingua inglese. In caso di traduzione in altre lingue, nell'eventualità sorgano conflitti fra la versione non inglese e quella inglese, prevarrà quest'ultima in quanto viene riconosciuto e accettato che la versione in lingua inglese esprime più chiaramente gli accordi fra le parti. Qualsiasi notifica o comunicazione inviata in rapporto a questo documento deve includere una versione in lingua inglese.</p>	<p>Dieses Dokument wurde in englischer Sprache erstellt und ausgefertigt. Wenn dieses Dokument in eine andere Sprache übersetzt wird, ein Konflikt zwischen der englischen und nicht-englischen Fassung auftritt, hat die englische Fassung Vorrang, da die Parteien anerkennen, dass die Fassung in englischer Sprache ihren Absichten am deutlichsten Ausdruck verleiht. Alle Hinweise oder Mitteilungen in Zusammenhang mit diesem Dokument müssen auch in einer Fassung in englischer Sprache erfolgen.</p>
<p>Originalmente, este documento se creó y redactó en inglés. En caso de que se traduzca a otro idioma y surja un conflicto entre la versión en inglés y la versión en otro idioma, prevalecerá la versión en inglés. Se reconoce y admite que, en la versión en inglés, expresa la intención de las partes con más claridad. Cualquier aviso o comunicación proporcionada en relación con este documento debe incluir una versión en inglés.</p>	<p>Este documento se preparó y redactó en inglés. En caso de que se traduzca a otro idioma y surja algún conflicto entre la versión en inglés y la del idioma extranjero, prevalecerá la versión en inglés, dado que se reconoce y admite que la versión en inglés expresa más claramente la intención de las partes. Cualquier aviso o comunicación proporcionada en relación con este documento deberá incluir una versión en inglés.</p>	<p>Este documento foi preparado e feito em língua inglesa. Se este documento for traduzido para outro idioma e surgirem conflitos entre a versão em inglês e a versão no outro idioma, a versão em inglês prevalecerá, sendo reconhecido e atestado que a versão em língua inglesa expressa mais claramente a intenção das partes. Qualquer comunicação ou aviso relacionado a este documento deve conter a versão em inglês.</p>	<p>本文档以英文撰写。如果本文档的其他语言版本与英文版本存在冲突，则以英文版本为准。各方一致认可和同意英文版本最清楚地表达了各自的意图。任何与本文档相关的声明或沟通，都应包括英文版本。</p>	<p>本文件的原稿是以英文撰寫。如果本文件翻譯為其他語言，而英文版和非英文版之間產生衝突，應以英文版為準。並且各方一致認同並確認英文版最能夠清楚地表達各方的意圖。凡是所有與本文件有關之公告或通訊，都必須包含英文的版本。</p>
<p>本書は英語で作成され発行されています。本書を他の言語に翻訳し、英語版と英語以外の版に矛盾が生じた場合は、関係者の意図を最も明確に表すものが英語版であることを認識および承諾し、英語版が優先するものとします。さらに、本書に関連して与えられる告知や通知は、すべて英語版を含むものとします。</p>	<p>본 문서는 영어로 준비되어 작성된 것입니다. 본 문서를 다른 언어로 번역했는데 영문본과 번역본 사이에 상충하는 부분이 발생하면 경우에는 영문본이 우선하며, 영문본이 양쪽 당사자의 의도를 가장 명확하게 표현하고 있음을 인식하고 확인합니다. 본 문서와 관련된 모든 고지 또는 전달 사항에는 영문본이 동봉되어야 합니다.</p>	<p>Данный документ был подготовлен и выполнен на английском языке. При переводе данного документа на другой язык, в случае возникновения противоречия между английской версией и версией на другом языке, английская версия имеет преимущественную силу. Данным признается, что версия документа на английском языке наиболее четко выражает намерения сторон. Любые уведомления или письма, направляемые в связи с данным документом, должны включать в себя версию на английском языке.</p>	<p>تم إعداد هذا المستند وتنفيذه باللغة الإنجليزية. إذا تمت ترجمة هذا المستند إلى لغات أخرى وكان هناك اختلاف بين الإصدار الإنجليزي وإصدار آخر، فترجى الالتزام بما جاء في الإصدار الإنجليزي، حيث إن الإصدار الإنجليزي هو الذي يعبر بوضوح وصرامة عن نية الأطراف. يجب أن تشمل أية إشعارات أو اتصالات ذات صلة بهذا المستند على إصدار باللغة الإنجليزية.</p>	<p>מסמך זה נערך והופק בשפה האנגלית. במקרה שמסמך זה יתורגם לשפה אחרת ותתגלה סתירה בין משמעות הגרסה באנגלית והגרסה המתורגמת, הגרסה באנגלית תהיה הגרסה הקובעת. מוסכם על הצדדים כי הגרסה בשפה האנגלית מטאטא באופן ברור ביותר את כוונת הצדדים. כל הודעה שמיסמך בקשר למסמך זה חייבת לכלול את הגרסה בשפה האנגלית.</p>

<p>For warranty information, go to www.honeywellaidc.com and click Resources > Warranty.</p>	<p>Pour obtenir des informations sur la garantie, consultez le site www.honeywellaidc.com et cliquez sur Ressources > Garantie.</p>	<p>Per informazioni sulla garanzia, andare a www.honeywellaidc.com e fare clic su Resources > Warranty.</p>	<p>Die Garantiebestimmungen finden Sie unter www.honeywellaidc.com. Klicken Sie dort auf Ressourcen > Garantie.</p>	<p>Para obtener información sobre la garantía, visite www.honeywellaidc.com y haga clic en Recursos > Garantía.</p>
<p>Para obtener información sobre la garantía, visite www.honeywellaidc.com y haga clic en Recursos > Garantía.</p>	<p>Para obter informações sobre a garantia, vá para www.honeywellaidc.com e clique em Recursos (Recursos) > Warranty (Garantia).</p>	<p>欲了解保修信息，请访问 www.honeywellaidc.com，单击 Resources (资源) > Warranty (保修)。</p>	<p>如需檢視保固資訊，請瀏覽 www.honeywellaidc.com，然後按一下 Resources > Warranty。</p>	<p>保証については、www.honeywellaidc.comにて、Resources > Warrantyとクリックしてください。</p>
<p>보충 정보를 보려면 www.honeywellaidc.com 으로 이동하여 Resources > Warranty를 클릭하십시오.</p>	<p>Подробную информацию о гарантии см. на сайте www.honeywellaidc.com в разделе Resources > Warranty.</p>	<p>Informace o záruce naleznete na stránce www.honeywellaidc.com po kliknutí na Resources > Warranty.</p>	<p>Ák chcete získať informácie o záruke, prejdite na stránku www.honeywellaidc.com a kliknite na Resources (Zdroje) > Warranty (Záruka).</p>	<p>Aby uzyskać informacje na temat gwarancji, wejdź na stronę www.honeywellaidc.com i kliknij Zasoby > Gwarancja.</p>
<p>Garanti bilgileri için www.honeywellaidc.com adresine gidin ve Kaynaklar > Garanti öğelerini tıklayın.</p>	<p>למידע אודות האחריות, אנ פנט לתוכנת www.honeywellaidc.com והקליקו על .Resources > Warranty</p>	<p>للحصول على معلومات بشأن الضمان، تفضل بزيارة www.honeywellaidc.com والنقر فوق الضمان < الموارد.</p>		

FCC Part 15 Statement
This device complies with part 15 of the FCC Rules. Operation is subject to the following two conditions:
1. This device must not cause harmful interference.
2. This device must accept any interference received, including interference that may cause undesired operation.
Caution: Any changes or modifications made to this equipment not expressly approved by Honeywell may void the FCC authorization to operate this equipment.

FCC Interference Statement
This equipment has been tested and found to comply with the limits for a Class B digital device, pursuant to Part 15 of the FCC Rules. These limits are designed to provide reasonable protection against harmful interference in a residential installation. This equipment generates, uses and can radiate radio frequency energy and, if not installed and used in accordance with the instructions, may cause harmful interference to radio communications. However, there is no guarantee that interference will not occur in a particular installation. If this equipment does cause harmful interference to radio or television reception, which can be determined by turning the equipment off and on, the user is encouraged to try to correct the interference by one or more of the following measures:
• Reorient or relocate the receiving antenna.
• Increase the separation between the equipment and receiver.
• Connect the equipment into an outlet on a circuit different from that to which the receiver is connected.
• Consult the dealer or an experienced radio/TV technician for help.

RF Exposure
The equipment complies with FCC RF exposure limits set forth for an uncontrolled environment. The equipment must not be co-located or operating in conjunction with any other antenna or transmitter.
Para su uso en México, la operación de este equipo está sujeta a las siguientes dos condiciones:
1. Es posible que este equipo o dispositivo no cause interferencia perjudicial.
2. Este equipo o dispositivo debe aceptar cualquier interferencia, incluyendo la que pueda causar su operación no deseada.

Canadian Compliance
This ISM device complies with Canadian RSS-210. Operation is subject to the following conditions:
1. This device may not cause harmful interference.
2. This device must accept any interference received, including interference that may cause undesired operation.
Conformité à la réglementation canadienne
Cet appareil ISM est conforme à la norme CNR-210 du Canada. Son fonctionnement est assujéti aux conditions suivantes :
1. Cet appareil ne doit pas causer de brouillage préjudiciable.
2. Cet appareil doit pouvoir accepter tout brouillage reçu, y compris le brouillage pouvant causer un fonctionnement indésirable.

Use only shielded data cables with this system. This unit has been tested with cables less than 3 meters. Cables greater than 3 meters may not meet class B performance.
Utiliser uniquement des câbles de données blindés avec ce système. L'appareil a été testé avec des câbles de moins de 3 mètres. Les câbles de longueur supérieure à 3 mètres ne permettent pas d'atteindre des performances de classe B.
Utilizzare solo cavi dati schermati con questo sistema. Questa unità è stata testata con cavi di lunghezza inferiore a 3 metri. I cavi di lunghezza superiore a 3 metri potrebbero non essere conformi alle prestazioni di classe B.
Für dieses System nur abgeschirmte Datenkabel verwenden. Dieses System wurde mit Kabeln unter 3 Metern Länge geprüft. Kabel mit einer Länge von über 3 Metern erfüllen möglicherweise nicht die Richtlinien der Klasse B.
Utilice sólo cables de datos blindados con este sistema. Esta unidad se ha probado con cables de longitud inferior a 3 metros. Cables superiores a 3 metros quizá no satisfagan los requisitos de rendimiento de la clase B.
Use únicamente cables protegidos para datos con este sistema. Esta unidad ha sido evaluada con cables de menos de 3 metros. Es posible que los cables de más de 3 metros no cumplan con el desempeño de la clase B.
Use somente cabos de dados blindados com este sistema. Esta unidade foi testada com cabos com menos de 3 metros. Cabos com mais de 3 metros não atendem o desempenho de classe B.

The CE marking indicates compliance with the following directives:
• 1995/5/EC R&TTE
• 2011/65/EU RoHS (Recast)
In addition, complies to 2014/35/EU Low Voltage Directive, when shipped with recommended power supply. European contact: Hand Held Products Europe B.V. Lagelandseweg 70 6545CG Nijmegen The Netherlands
Le marquage CE indique la conformité avec les directives suivantes:
• 1995/5/CE R & TTE
• 2011/65/UE - RoHS (Refonte)
De plus, ce produit est conforme à la Directive européenne 2014/35/UE relative aux basses tensions lorsqu'il est expédié avec le bloc d'alimentation recommandé. Personne-ressource en Europe: Hand Held Products Europe B.V. Lagelandseweg 70 6545CG Nijmegen Les Pays-Bas
La marcatura CE indica conformità alle seguenti direttive:
• Direttiva R&TTE 1995/5/CE
• Direttiva RoHS 2011/65/UE (rifusione)
È inoltre conforme ai sensi della Direttiva bassa tensione 2014/35/UE, se spedito con l'alimentatore consigliato. Contatto in Europa: Hand Held Products Europe B.V. Lagelandseweg 70 6545CG Nijmegen Paesi Bassi
Die CE-Kennzeichnung signalisiert die Konformität mit folgenden Richtlinien:
• 1995/5/EG R&TTE
• 2011/65/EU RoHS (Recast)
Weiterhin entspricht dieses Produkt der Niederspannungsrichtlinie 2014/35/UE, wenn es mit dem empfohlenen Netzteil geliefert wird. Ansprechpartner Europa: Hand Held Products Europe B.V. Lagelandseweg 70 6545CG Nijmegen Niederlande
La marca CE indica el cumplimiento de las siguientes normativas:
• 1995/5/EC R&TTE
• 2011/65/EU RoHS (Refundida)
Asimismo, cumple la normativa de bajo voltaje 2014/35/UE cuando se envía con la fuente de alimentación recomendada. Contacto europeo: Hand Held Products Europe B.V. Lagelandseweg 70 6545CG Nijmegen Países Bajos
La indicación CE indica el cumplimiento con las siguientes directivas:
• 1995/5/EC R&TTE
• 2011/65/EU RoHS (Refundida)
Además, cumple con la directiva de bajo voltaje 2006/95/CE cuando se envía con la fuente de poder recomendada. Contacto europeo: Hand Held Products Europe B.V. Lagelandseweg 70 6545CG Nijmegen Países Bajos
A marca CE indica conformidade com as seguintes diretivas:
• 1995/5/EC R&TTE
• 2011/65/EU RoHS (Reformulação)
Além disso, o produto está em conformidade com a Diretiva para baixa tensão 2014/35/UE, quando fornecido com a fonte de alimentação recomendada. Contato na Europa: Hand Held Products Europe B.V. Lagelandseweg 70 6545CG Nijmegen Holanda

CE 标记表示符合以下指令:
• 1995/5/EC R&TTE
• 2011/65/EU RoHS (新版)
此外,在随附推荐的电源时,设备还符合 2014/35/EU 低电压指令的要求。欧洲联系部: Hand Held Products Europe B.V. Lagelandseweg 70 6545CG Nijmegen The Netherlands
CE 標記表示符合下列指令:
• 1995/5/EC R&TTE
• 2011/65/UE RoHS (重訂)
此外,出廠時附帶建議的電源,亦符合 2014/35/EU 低電壓指令。歐洲聯絡部: Hand Held Products Europe B.V. Lagelandseweg 70 6545CG Nijmegen The Netherlands
CE 마크는 다음 지침을 준수함을 나타냅니다.
• 1995/5/EC R&TTE
• 2011/65/UE RoHS (Recast)
또한, 권장 전원 공급장치와 함께 배송된 경우에는 2014/35/EU Low Voltage Directive (지전압 지침)를 준수합니다. 유럽 연락처: Hand Held Products Europe B.V. Lagelandseweg 70 6545CG Nijmegen The Netherlands
Маркировка CE означает соответствие требованиям следующих директив:
• 1995/5/EC R&TTE
• 2011/65/UE RoHS (исправленная)
Директива о радио- и телекоммуникационном оборудовании
Кроме того, соответствует требованиям директивы по низковольтному оборудованию 2014/35/UE при поставке с рекомендованным источником питания. Контактное лицо в Европе: Hand Held Products Europe B.V. Lagelandseweg 70 6545CG Nijmegen The Netherlands
شعار CE علامة CE إلى الإقرار بالامتثال للوائح التالية:
• 1995/5/EC R&TTE
• 2011/65/UE RoHS (معدلة)
بالإضافة إلى ذلك، يتوافق مع متطلبات توجيه 2014/35/UE عند شحنه مع وحدة الطاقة الموصى بها. جهة الاتصال في أوروبا: Hand Held Products Europe B.V. Lagelandseweg 70 6545CG Nijmegen The Netherlands
CE 標記は、以下の指令に適合することを示しています。
• 1995/5/EC R&TTE
• 2011/65/UE RoHS (改訂版)
また、推奨電源付きで出荷されている場合は、2014/35/UE Low Voltage Directive に準拠しています。欧州でのお問い合わせ先: Hand Held Products Europe B.V. Lagelandseweg 70 6545CG Nijmegen The Netherlands

Bluetooth Class I
Bluetooth Catégorie I
Bluetooth Klasse I
Bluetooth 1类
Bluetooth 第1類
Class I Bluetooth
CAUTION: Improper battery replacement or incompatible device usage may result in risk of burns, fire, explosion, or other hazard. Dispose of lithium-ion batteries according to local regulations.
ATTENTION: Un remplacement inadéquat de la batterie ou une utilisation incompatible de l'appareil peut présenter des risques de brûlures, d'incendie, d'explosion ou d'autres dangers. Jetez les piles en lithium-ion conformément aux réglementations locales.
MISE EN GARDE: Le remplacement incorrect de la pile ou l'usage d'un appareil non compatible peut représenter des risques de brûlures, d'incendie, d'explosion ou d'autres dangers. Éliminez les piles lithium-ion usagées conformément aux réglementations locales.
Attenzione: La sostituzione inadeguata delle batterie o un uso incompatibile del dispositivo possono causare rischi di ustioni, incendi, esplosioni o altri pericoli. Smaltire le batterie agli ioni di litio in conformità ai regolamenti locali.
VORSICHT: Ungesegnete Ersatz-Akkus oder nicht kompatible Gerätebenutzung kann zu Verbrennungen, Feuer, Explosion oder anderen Gefahren führen. Entsorgen Sie die Lithium-Ionen-Batterien gemäß den lokalen Richtlinien.
PRECAUCIÓN: El reemplazo inadecuado de la batería o el uso de un dispositivo incompatible pueden dar como resultado quemaduras, incendio, explosión u otros riesgos. Descarte todas las baterías de litio según las regulaciones locales.
PRECAUCIÓN: El reemplazo inadecuado de la batería o el uso de un dispositivo incompatible puede presentar riesgo de quemaduras, incendio, explosión u otro tipo de riesgos. Descarte las baterías de iones de litio de acuerdo a las normativas locales.
CUIDADO: A substituição incorreta da bateria ou o uso de um dispositivo incompatível pode resultar em riscos de queimaduras, incêndio, explosão ou outros perigos. Descarte as baterias de íon de lítio de acordo com as regulamentações locais.




LED Safety Statement
LEDs have been tested and classified as "EXEMPT RISK GROUP" to the standard: IEC 62471:2006.
LED 安全声明
LED 經測試歸為 IEC 62471:2006 標準的「豁免風險組」(EXEMPT RISK GROUP)。
LED の安全性について
LED は IEC 62471:2006 安全規格に対してテスト済みで、「EXEMPT RISK GROUP」(リスクグループ除外)に分類されています。
LED 안전 고지 사항
LED 는 표준 IEC 62471:2006 에 대해 테스트되어 "EXEMPT RISK GROUP" 으로 분류되었습니다.
Заявление о безопасности светодиода
Светодиоды прошли испытания и отнесены к «БЕЗРИСКОВОЙ ГРУППЕ» согласно стандарту МЭК 62471:2006.
הצהרת בטיחות - LED
ה-LED נבדקו ונחשבו "קבוצת סיכון" IEC 62471:2006.
بيان سلامة LED
تم اختيار مصابيح LED وتصنيفها كـ "مجموعة الخفض من الخطر" وفقاً للمعيار IEC 62471:2006.
ملاحظة: إن تعذر المطابقة إذا تم استبدال نوع غير صحيح، يجب التخلص من البطارية في مكان مؤهل لإعادة التدوير أو طموح مسؤولية من التعامل مع المواد الخطرة، لا تفرج بطارية أو يتخلص منها مع المخلفات العادية الأخرى.


LED Safety Statement
LEDs have been tested and classified as "EXEMPT RISK GROUP" to the standard: IEC 62471:2006.
Norme de sécurité sur les LED
Les DEL ont été testées et classées « GROUPE DE RISQUE EXEMPT » par rapport à la norme: IEC 62471:2006.
Norme de sécurité DEL
Les DEL ont été testées et classées « GROUPE SANS RISQUE » selon la norme: CEI 62471:2006.
Disposizione di sicurezza LED
I LED sono stati testati e classificati come "GRUPPO ESENTA DA RISCHI" rispetto allo standard: IEC 62471:2006.
Hinweis zur Lasersicherheit
Die LEDs wurden geprüft und gemäß der Norm IEC 62471:2006 unter "EXEMPT RISK GROUP" eingestuft.
Declaración de seguridad del LED
Los LED se han probado y clasificado como "GRUPO EXENTO DE RIESGOS" según la normativa: IEC 62471:2006.
Declaración de seguridad del LED
Las LED han sido evaluadas y clasificadas como "GRUPO LIBRE DE RIESGOS" según la norma: IEC 62471:2006.
Declaração de segurança do LED
Os LEDs foram testados e classificados como "GRUPO DE RISCO ISENTO" conforme a norma: IEC 62471:2006.

CB Scheme
Certified to CB Scheme IEC 60950-1, Second Edition.
Plan OC (organismes de certification)
Certifié CEI 60950-1, deuxième édition.
Schéma OC
Certifié selon la norme CEI 60950-1 seconde édition (schéma OC).
Schema CB
Certificato in base allo Schema CB IEC 60950-1, seconda edizione.
CB-Zertifizierung
CB-zertifiziert gemäß IEC 60950-1, Second Edition.
Esquema CB
Se ha certificado que cumple el esquema CB IEC 60950-1, segunda edición.
Esquema CB
Se ha certificado que cumple con el esquema CB IEC 60950-1, segunda edición.
Esquema CB
Certificação CB Scheme IEC 60950-1, Segunda edição.
مخطط CB
تم اعتماد مخطط CB IEC 60950-1، الإصدار الثاني.

Patents
For patent information, refer to www.hsmrats.com.
Brevets
Veuillez consulter le site www.hsmrats.com pour obtenir des renseignements au sujet du brevet.
Brevetti
Per i dettagli sui brevetti, fare riferimento al sito Web www.hsmrats.com.
Patente
Patentinformationen sind unter www.hsmrats.com erhältlich.
Patentes
Para obtener información sobre las patentes, visite www.hsmrats.com.
Patentes
Para obtener información sobre patentes, consulte www.hsmrats.com.
Patentes
Para obter informações sobre patentes, consulte www.hsmrats.com.
براءات الاختراع
للحصول على معلومات أكثر براسة الاختراع، يرجى الرجوع إلى www.hsmrats.com.

Laser Safety Statement
If the following label is attached to your product, it indicates the product contains a laser.
Laser Light, Do Not Stare Into Beam, Class 2 Laser Product
This device has been tested and complies with IEC60825-1 ed2.0 and 21 CFR 1040.10 and 1040.11, except for deviations pursuant to Laser Notice No. 50, dated June 24, 2007.
Laser Light, Do Not Stare Into Beam, Class 2 Laser Product, 1.0 mW MAX OUTPUT: 630-680nm.
Caution - use of controls or adjustments or performance of procedures other than those specified herein may result in hazardous radiation exposure.
Déclaration de sécurité relative au laser
Si l'étiquette suivante est apposée à votre produit, cela signifie que le produit contient un laser.
Laser Light, Do Not Stare Into Beam, Class 2 Laser Product
Cet appareil a été testé et reconnu conforme aux normes IEC60825-1 ed2.0 et 21 CFR 1040.10 et 21 CFR 1040.11, à l'exception des déviations selon le document Laser Notice n° 50 en date du 24 juin 2007.
ATTENTION, LUMIÈRE LASER: NE PAS REGARDER DIRECTEMENT DANS LE FAISCEAU, PRODUIT LASER DE CLASSE 2, SORTIE MAX. DE 1.0 mW, 630-680 nm.
Mise en garde - l'utilisation de contrôles ou d'ajustements ou de performance de procédures autres que ceux spécifiés dans la présente peut provoquer une exposition dangereuse au rayonnement.
Dichiarazione sulla sicurezza del dispositivo laser
La presenza della seguente etichetta sul prodotto indica che il prodotto contiene un laser.
Laser Light, Do Not Stare Into Beam, Class 2 Laser Product
Questo dispositivo è stato testato in base a ed è conforme agli standard IEC60825-1 ed. 2.0 e 21, CFR 1040.10 e 1040.11, ad eccezione delle deviazioni ai sensi del documento Laser Notice No. 50, datato 24 giugno 2007.
LUCE LASER, NON FISSARE IL RAGGIO LASER, PRODOTTO DI CLASSE 2, POTENZA DI USCITA MASSIMA 1.0 mW: 630-680nm.
Un utilizzo dei comandi, dei dispositivi di regolazione o delle procedure non conforme a quanto specificato nella documentazione d'uso può determinare un'esposizione pericolosa alle radiazioni.
Hinweis zur Lasersicherheit
Wenn Ihr Produkt mit dem folgenden Etikett gekennzeichnet ist, bedeutet dies, dass das Produkt einen Laser enthält.
Laser Light, Do Not Stare Into Beam, Class 2 Laser Product
Dieses Gerät wurde geprüft und erfüllt die Anforderungen von IEC60825-1 ed2.0, 21 CFR 1040.10 und 1040.11, mit Ausnahme von Abweichungen gemäß Laser Notice Nr. 50, vom 24. Juni 2007.
LASERSTRAHLUNG, NICHT IN DEN STRAHL BLICKEN.
LASERPRODUKT DER KLASSE 2, MAXIMALE ENERGIE DER LASERSTRAHLUNG 1,0 mW: 630-680 nm.
Die Verwendung oder Einstellung von Reglern bzw. die Ausführung von anderen als in dieser Bedienungsanleitung beschriebenen Abläufen kann zu gefährlicher Laserstrahlung führen.
Declaración de seguridad del láser
Si la siguiente etiqueta se encuentra adherida al producto, indica que éste contiene un láser.
Laser Light, Do Not Stare Into Beam, Class 2 Laser Product
Este dispositivo se ha probado de acuerdo con las normativas IEC60825-1 ed2.0 y 21 CFR 1040.10 y 1040.11 y se ha certificado que las cumple, excepto en lo referente a desviaciones según el aviso sobre láser n.º 50 del 24 de junio de 2007.
RAYO LASER, NO MIRAR FIJAMENTE EL HAZ, PRODUCTO LASER DE LA CLASE 2, POTENCIA MÁXIMA 1 mW: 630-680 nm.
El uso de controles, ajustes o procedimientos diferentes a los indicados en la documentación para el usuario puede provocar la exposición a radiaciones peligrosas.
Declaración de seguridad de láser
Este dispositivo foi testado de acordo e em conformidade com as normas IEC60825-1 ed2.0 e 21 CFR 1040.10 e 1040.11, exceto por divergências de acordo com o Laser Notice nº50, datado de 24 de junho de 2007.
LUZ DE LASER, NÃO OLHE FIXAMENTE PARA O FEIXE, PRODUTO A LASER CLASSE 2, SAÍDA MÁXIMA DE 1,0 mW: 630-680 nm.
A utilização de controles ou ajustes ou a execução de procedimentos de modo diferente do especificado na documentação do usuário pode resultar em exposição nociva à radiação.

<p>FCC Part 15 Statement This device complies with part 15 of the FCC Rules. Operation is subject to the following two conditions: 1. This device may not cause harmful interference. 2. This device must accept any interference received, including interference that may cause undesired operation. Caution: Any changes or modifications made to this equipment not expressly approved by Honeywell may void the FCC authorization to operate this equipment.</p>							
<p>FCC Interference Statement This equipment has been tested and found to comply with the limits for a Class B digital device, pursuant to Part 15 of the FCC Rules. These limits are designed to provide reasonable protection against harmful interference in a residential installation. This equipment generates, uses and can radiate radio frequency energy and, if not installed and used in accordance with the instructions, may cause harmful interference to radio communications. However, there is no guarantee that interference will not occur in a particular installation. If this equipment does cause harmful interference to radio or television reception, which can be determined by turning the equipment off and on, the user is encouraged to try to correct the interference by one or more of the following measures: • Reorient or relocate the receiving antenna. • Increase the separation between the equipment and receiver. • Connect the equipment into an outlet on a circuit different from that to which the receiver is connected. • Consult the dealer or an experienced radio/TV technician for help.</p>							
<p>RF Exposure The equipment complies with FCC RF exposure limits set forth for an uncontrolled environment. The equipment must not be co-located or operating in conjunction with any other antenna or transmitter.</p>							
<p>Para su uso en México, la operación de este equipo está sujeta a las siguientes dos condiciones: 1. Es posible que este equipo o dispositivo no cause interferencia perjudicial. 2. Este equipo o dispositivo debe aceptar cualquier interferencia, incluyendo la que pueda causar su operación no deseada.</p>							
<p>Canadian Compliance This ISM device complies with Canadian RSS-210. Operation is subject to the following conditions: 1. This device may not cause harmful interference. 2. This device must accept any interference received, including interference that may cause undesired operation.</p>				<p>Conformité à la réglementation canadienne Cet appareil ISM est conforme à la norme CNR-210 du Canada. Son fonctionnement est assujéti aux conditions suivantes : 1. Cet appareil ne doit pas causer de brouillage préjudiciable. 2. Cet appareil doit pouvoir accepter tout brouillage reçu, y compris le brouillage pouvant causer un fonctionnement indésirable.</p>			
<p>Use only shielded data cables with this system. This unit has been tested with cables less than 3 meters. Cables greater than 3 meters may not meet class B performance.</p>	<p>Utiliser uniquement des câbles de données blindés avec ce système. L'appareil a été testé avec des câbles de moins de 3 mètres. Les câbles de longueur supérieure à 3 mètres peuvent ne pas satisfaire à la performance de la classe B.</p>	<p>Utilizzare solo cavi dati schermati con questo sistema. Questa unità è stata testata con cavi di lunghezza inferiore a 3 metri. I cavi di lunghezza superiore a 3 metri potrebbero non essere conformi alle prestazioni di classe B.</p>	<p>Für dieses System nur abgeschirmte Datenkabel verwenden. Dieses System wurde mit Kabeln unter 3 Metern Länge geprüft. Kabel mit einer Länge von über 3 Metern erfüllen möglicherweise nicht die Richtlinien der Klasse B.</p>	<p>Utilice sólo cables de datos blindados con este sistema. Esta unidad se ha probado con cables de longitud inferior a 3 metros. Cables superiores a 3 metros quizá no satisfagan los requisitos de rendimiento de la clase B.</p>	<p>Use únicamente cables protegidos para datos con este sistema. Esta unidad ha sido evaluada con cables de menos de 3 metros. Es posible que los cables de más de 3 metros no cumplan con el desempeño de clase B.</p>	<p>Use somente cabos de dados blindados com este sistema. Esta unidade foi testada com cabos com menos de 3 metros. Cabos com mais de 3 metros não atendem o desempenho de classe B.</p>	
<p>此系統僅能使用屏蔽數據電纜。此設備是以短於 3 米的電纜進行的測試。長度超過 3 米的電纜可能無法滿足 B 級性能。</p>	<p>此系統只能使用包圍的資料傳輸線。此裝置是使用不到 3 公尺長的電纜進行測試。超過 3 公尺長的電纜可能無法達到 B 級裝置效能。</p>	<p>このシステムにはシールド付きデータケーブルのみを使用してください。この装置は長さ 3 m 以下のケーブルでテストされています。3 m 以上のケーブルはクラス B の性能を満たさない場合があります。</p>	<p>이 시스템에는 차폐된 데이터 케이블만 사용하십시오. 본 장치는 3 미터 미만의 케이블 테스트를 받았습니 다. 3 미터를 초과하는 케이블을 사용하면 Class B 성능을 만족시키지 못할 수 있습니다.</p>	<p>Используйте с этой системой только экранированные кабели передачи данных. Это устройство прошло испытания с использованием кабелей длиной менее 3 метров. Рабочие характеристики кабелей длиной свыше 3 м могут не соответствовать классу B.</p>	<p>استخدم فقط كابلات البيانات المصممة مع هذا النظام. تم اختبار هذه الوحدة بواسطة كابلات يقل طولها عن 3 أمتار. قد لا تطابق الكابلات التي يزيد طولها عن 3 أمتار مع أداء الفئة B.</p>	<p>Use somente cabos de dados blindados com este sistema. Esta unidade foi testada com cabos com menos de 3 metros. Cabos com mais de 3 metros não atendem o desempenho de classe B.</p>	
<p>CE The CE marking indicates compliance with the following directives: • 1995/5/EC R&TTE • 2011/65/EU RoHS (Recast) In addition, complies to 2014/35/EU Low Voltage Directive, when shipped with recommended power supply. European contact: Hand Held Products Europe B.V. Lagelandseweg 70 6545CG Nijmegen The Netherlands</p>	<p>CE Le marquage CE indique la conformité avec les directives suivantes: • 1995/5/CE R & TTE • 2011/65/UE – RoHS (Refonte) De plus, ce produit est conforme à la Directive européenne 2014/35/EU relative aux basses tensions lorsqu'il est expédié avec le bloc d'alimentation recommandée. Personne-ressource en Europe: Hand Held Products Europe B.V. Lagelandseweg 70 6545CG Nijmegen Les Pays-Bas</p>	<p>CE Le marquage CE indique la conformité aux directives suivantes: • 1995/5/CE R & TTE • 2011/65/UE RoHS (refonte) De plus, indique la conformité à la directive 2014/35/EU Basse tension, lorsque le dispositif est livré avec l'alimentation électrique recommandée. Contact en Europe: Hand Held Products Europe B.V. Lagelandseweg 70 6545CG Nijmegen Pays-Bas</p>	<p>CE La marcatura CE indica conformità alle seguenti direttive: • Direttiva R&TTE 1995/5/CE • Direttiva RoHS 2011/65/UE (rifusione) È inoltre conforme ai sensi della Direttiva bassa tensione 2014/35/EU, se spedito con l'alimentatore consigliato. Contatto in Europa: Hand Held Products Europe B.V. Lagelandseweg 70 6545CG Nijmegen Paesi Bassi</p>	<p>CE Die CE-Kennzeichnung signalisiert die Konformität mit folgenden Richtlinien: • 1995/5/EG R&TTE • 2011/65/EU RoHS (Recast) Weiterhin entspricht dieses Produkt der Niederspannungsrichtlinie 2014/35/EU, wenn es mit dem empfohlenen Netzteil geliefert wird. Ansprechpartner Europa: Hand Held Products Europe B.V. Lagelandseweg 70 6545CG Nijmegen Niederlande</p>	<p>CE La marca CE indica el cumplimiento de las siguientes normativas: • 1995/5/EC R&TTE • 2011/65/EU RoHS (Refundida) Asimismo, cumple la normativa de bajo voltaje 2014/35/EU cuando se envía con la fuente de alimentación recomendada. Contacto europeo: Hand Held Products Europe B.V. Lagelandseweg 70 6545CG Nijmegen Países Bajos</p>	<p>CE La indicación CE indica el cumplimiento con las siguientes directivas: • 1995/5/EC R&TTE • 2011/65/EU RoHS (Reformulada) Además, cumple con la directiva de bajo voltaje 2014/35/EC cuando se envía con la fuente de poder recomendada. Contacto europeo: Hand Held Products Europe B.V. Lagelandseweg 70 6545CG Nijmegen Países Bajos</p>	<p>CE A marca CE indica conformidade com as seguintes diretivas: • 1995/5/EC R&TTE • 2011/65/EU RoHS (Reformulação) Além disso, o produto está em conformidade com a Diretiva para baixa tensão 2014/35/EU, quando fornecido com a fonte de alimentação recomendada. Contato na Europa: Hand Held Products Europe B.V. Lagelandseweg 70 6545CG Nijmegen Holanda</p>
<p>CE CE 标记表示符合以下指令: • 1995/5/EC R&TTE • 2011/65/EU RoHS (新版) 此外, 在随附建议的电源时, 设备还符合 2014/35/EU 低电压指令的要求。欧洲联系信息: Hand Held Products Europe B.V. Lagelandseweg 70 6545CG Nijmegen The Netherlands</p>	<p>CE CE 標記表示符合以下指令: • 1995/5/EC R&TTE • 2011/65/EU RoHS (重訂) 此外, 出廠時如附帶建議的電源, 亦符合 2014/35/EU 低電壓指令。歐洲聯絡資訊: Hand Held Products Europe B.V. Lagelandseweg 70 6545CG Nijmegen The Netherlands</p>	<p>CE CE マークは、本装置が次の指令に準拠していることを示します。 • 1995/5/EC R&TTE • 2011/65/EU RoHS (改正) また、推奨電源付きで出荷されている場合は、2014/35/EU Low Voltage Directive にも準拠しています。欧州でのお問い合わせ: Hand Held Products Europe B.V. Lagelandseweg 70 6545CG Nijmegen The Netherlands</p>	<p>CE CE 마크는 다음 지침을 준수함을 나타냅니다. • 1995/5/EC R&TTE • 2011/65/EU RoHS (Recast) 또한, 권장 전원 공급장치와 함께 배송된 경우에는 2014/35/EU Low Voltage Directive (저전압 지침) 를 준수합니다. 유럽 연락처: Hand Held Products Europe B.V. Lagelandseweg 70 6545CG Nijmegen The Netherlands</p>	<p>CE Маркировка CE означает соответствие требованиям следующим директивам: • 1995/5/EC Директива о радио- и телекоммуникационном оборудовании • 2011/65/EU Директива RoHS (исправленная) Кроме того, соответствует требованиям директивы по низковольтному оборудованию 2014/35/EU при поставке с рекомендованным источником питания. Контактное лицо в Европе: Hand Held Products Europe B.V. Lagelandseweg 70 6545CG Nijmegen The Netherlands</p>	<p>CE تشير علامة CE إلى الالتزام بالمتطلبات التالية: • 1995/5/EC R&TTE • 2011/65/EU RoHS بالإضافة إلى ذلك، يتوافق المنتج مع متطلبات توجيه 2014/35/EC عند شحنه مع مصدر الطاقة المقترح. معلومات الاتصال في أوروبا: Hand Held Products Europe B.V. Lagelandseweg 70 6545CG Nijmegen The Netherlands</p>	<p>CE A marca CE indica conformidade com as seguintes diretivas: • 1995/5/EC R&TTE • 2011/65/EU RoHS (Reformulação) Além disso, o produto está em conformidade com a Diretiva para baixa tensão 2014/35/EU, quando fornecido com a fonte de alimentação recomendada. Contato na Europa: Hand Held Products Europe B.V. Lagelandseweg 70 6545CG Nijmegen Holanda</p>	
<p>Bluetooth Class I</p>	<p>Bluetooth Catégorie I</p>	<p>Bluetooth Klasse I</p>	<p>Bluetooth Klasse I</p>	<p>Bluetooth Class I</p>	<p>Bluetooth Ⅰ类</p>	<p>Bluetooth 第Ⅰ類</p>	<p>Bluetooth Class I</p>
<p>Bluetooth Ⅰ类</p>							
<p>CB Scheme Certified to CB Scheme IEC 60950-1, Second Edition.</p>	<p>Plan OC (organismes de certification) Certifié CB CEI 60950-1, deuxième édition.</p>	<p>Schéma OC Certifié selon la norme CEI 60950-1 seconde édition (schéma OC).</p>	<p>Schema CB Certificato in base allo Schema CB IEC 60950-1, seconda edizione.</p>	<p>CB-Zertifizierung CB-zertifiziert gemäß IEC 60950, Second Edition.</p>	<p>Esquema CB Se ha certificado que cumple el esquema CB IEC 60950-1, segunda edición.</p>	<p>Esquema CB Se ha certificado que cumple con el esquema CB IEC 60950-1, segunda edición.</p>	<p>Esquema CB Certificação CB Scheme IEC 60950-1, segunda edição.</p>
<p>CB 方案 已通过 CB 方案 IEC 60950-1 第二版的认证。</p>	<p>CB Scheme 經過認證符合 CB Scheme IEC 60950-1 標準第二版。</p>	<p>CB Scheme CB Scheme IEC 60950-1, Second Edition に認定されています。</p>	<p>CB Scheme CB Scheme IEC 60950-1, Second Edition 인증을 받았습니다.</p>	<p>Схема CB Сертификация согласно схеме CB МЭК 60950-1, издание второе.</p>	<p>CB Scheme IEC 60950-1, segunda edición. CB Scheme, segunda edición.</p>	<p>مخطط CB معتمد بموجب مخطط CB IEC 60950-1، الإصدار الثاني.</p>	<p>Patentes Para obter informações sobre patentes, consulte www.hsmpats.com.</p>
<p>Patentes For patent information, refer to www.hsmpats.com.</p>	<p>Brevets Veuillez consulter le site www.hsmpats.com pour obtenir des renseignements au sujet du brevet.</p>	<p>Brevets Pour plus d'informations sur les brevets, visitez la page www.hsmpats.com.</p>	<p>Brevetti Per i dettagli sui brevetti, fare riferimento al sito Web www.hsmpats.com.</p>	<p>Patente Patentinformationen sind unter www.hsmpats.com erhältlich.</p>	<p>Patentes Para obtener información sobre las patentes, visite www.hsmpats.com.</p>	<p>Patentes Para obtener información sobre patentes, consulte www.hsmpats.com.</p>	<p>Patentes Para obter informações sobre patente, consulte www.hsmpats.com.</p>
<p>专利 有关专利信息, 请参阅 www.hsmpats.com.</p>	<p>專利 相關專利資訊請參閱 www.hsmpats.com 中的說明。</p>	<p>特許 特許情報については、www.hsmpats.com を参照してください。</p>	<p>특허 특허 정보는 www.hsmpats.com 를 참조하십시오.</p>	<p>Патенты Информация о патентах приведена на веб-странице www.hsmpats.com.</p>	<p>פטנטים מידע על פטנטים, עיין באתר האינטרנט www.hsmpats.com</p>	<p>براءات الاختراع للحصول على معلومات تخص براءة الاختراع، يُرجى الرجوع إلى www.hsmpats.com.</p>	<p>Informações ambientais sobre produtos Consulte a página www.honeywellaidc.com/environmental para obter informações sobre as normas RoHS/REACH/WEEE.</p>
<p>Product Environmental Information Refer to www.honeywellaidc.com/environmental for the RoHS / REACH / WEEE information.</p>	<p>Renseignements relatifs à l'environnement à propos des produits Reportez-vous à la page www.honeywellaidc.com/environmental pour obtenir des renseignements concernant les directives RoHS/REACH/WEEE.</p>	<p>Informations environnementales sur les produits Reportez-vous au site www.honeywellaidc.com/environmental pour obtenir les informations sur les directives RoHS/REACH/WEEE.</p>	<p>Informazioni ambientali relative al prodotto Consultare il sito web www.honeywellaidc.com/environmental per informazioni su RoHS/REACH/WEEE.</p>	<p>Informationen zur Umweltverträglichkeit von Produkten Unter www.honeywellaidc.com/environmental finden Sie Informationen über RoHS/REACH/WEEE.</p>	<p>Información ambiental del producto Consulte www.honeywellaidc.com/environmental para obtener información sobre RoHS/REACH/WEEE.</p>	<p>Información ambiental de producto Consulte la información RoHS/REACH/WEEE en www.honeywellaidc.com/environmental.</p>	<p>Informações ambientais sobre produtos Consulte a página www.honeywellaidc.com/environmental para obter informações sobre as normas RoHS/REACH/WEEE.</p>
<p>产品环境信息 有关 RoHS / REACH / WEEE 信息, 请参阅 www.honeywellaidc.com/environmental .</p>	<p>產品環境資訊 請參閱 www.honeywellaidc.com/environmental 以瞭解 RoHS / REACH / WEEE 資訊。</p>	<p>製品の環境情報 RoHS / REACH / WEEE に関する情報については、www.honeywellaidc.com/environmental を参照してください。</p>	<p>제품 환경 정보 RoHS / REACH / WEEE 정보는 www.honeywellaidc.com/environmental 에서 참조하십시오.</p>	<p>Экологическая информация о продукции Информация о соответствии требованиям RoHS / REACH / WEEE приведена на сайте www.honeywellaidc.com/environmental.</p>	<p>المواصفات البيئية للمنتج يرجى الرجوع إلى www.honeywellaidc.com/environmental للحصول على معلومات حول توجيهات RoHS / REACH / WEEE.</p>	<p>المواصفات البيئية للمنتج يرجى الرجوع إلى www.honeywellaidc.com/environmental للحصول على معلومات حول توجيهات RoHS / REACH / WEEE.</p>	
<p>TÜV R Statement TÜV R listed: UL 60950-1, Second Edition and CSA C22.2 No.60950-1-07, Second Edition.</p>	<p>Normes TÜV R Homologué TÜV R : UL 60950-1, seconde édition et CSA C22.2 No. 60950-1-07, seconde édition.</p>	<p>If the following label is attached to your product, the product meets Korean agency approval:  이 기기는 가전용 (B 급) 전자파 적합 기로서 주 로 가정에서 사용하는 것을 목적으로 하며, 모든 지역에서 사용할 수 있습니다. This product is EMC B grade equipment, intended for residential use. This equipment can be used in any area.</p>	<p>依據標準: 低功率射頻電機技術規範: LP0002 NCC standard: Low power frequency electric machineries technical standard: LP0002 根據交通部低功率管理辦法規定: 第十二條 經型式認證合格之低功率射頻電機, 非經許可, 公司、商號或使用者均不得擅自變更頻率、加大功率或變更原設計之特性及功能。 第十四條 低功率射頻電機之使用不得影響飛航安全及干擾合法通信; 經發現有干擾現象時, 應立即停用, 並改善至無干擾時方得繼續使用。前項合法通信, 指依電信規定作業之無線電通信。低功率射頻電機須忍受合法通信或工業、科學及醫療用電波輻射性電機設備之干擾。</p>				
<p>Este produto está homologado pela ANATEL, de acordo com os procedimentos regulamentados pela Resolução No. 242/2009 e atende aos requisitos técnicos aplicados. Para maiores informações, consulte o site da ANATEL – www.anatel.gov.br</p>	<p> Modelo: CCB02 1937-14-1571 (01)07898927490140 *Este equipamento opera em caráter secundário, isto é, não tem direito à proteção contra interferência prejudicial, mesmo de estações do mesmo tipo, e não pode causar interferência a sistemas operando em caráter primário.*</p>	<p> CIDF15000182</p>					

 产品中有毒物质的名称及含量 (Names and Content of Hazardous Substances in the Product)						
部件名称 (Parts Name)	有害物质 (Hazardous Substances)					
	铅 (Pb)	汞 (Hg)	镉 (Cd)	六价铬 (Cr6+)	多溴联苯 (PBB)	多溴二苯醚 (PBDE)
印刷电路板 (PCB)	x	o	o	o	o	o
外壳 (Housing)	o	o	o	o	o	o
连线 (Cables)	o	o	o	o	o	o

本表格依据 SJ/T11364 的规定编制。(The table is created by SJ/T11364 requirement.)
 o: 表示该有害物质在该部件所有均质材料中的含量均在 GB/T26572 标准规定的限量要求以下。(Indicates that this hazardous substance contained in all of the homogeneous materials for this part is below the limit requirement in China's GB/T26572.)
 x: 表示该有害物质至少在该部件的某一均质材料中的含量超出 GB/T26572 标准规定的限量要求。(Indicates that this hazardous substance contained in at least one of the homogeneous materials for this part is above the limit requirement in China's GB/T26572.)

<p>This document was prepared and executed in the English language. In the event this document is translated into another language and a conflict arises between the English version and a non-English version, the English version shall prevail, it being recognized and acknowledged that the English language version most clearly expresses the intent of the parties. Any notice or communication given in connection with this document must include a version in the English language.</p>	<p>Ce document a été préparé et exécuté dans la langue anglaise. Dans l'éventualité où le document serait traduit dans une autre langue et qu'un litige surviendrait entre la version en anglais et la version en français, la version en anglais prévaudrait, étant confirmé et reconnu que la version en anglais exprime de façon plus précise l'intention des parties. Tout avis ou communication relatif à ce document doit inclure une version en anglais.</p>	<p>Ce document a été préparé et finalisé en anglais. Si ce document est traduit dans une autre langue et si un conflit survient entre la version en anglais et la version traduite, la version en anglais prévaudra tant il est reconnu et établi qu'elle exprime le plus clairement les intentions des parties. Tout avis ou communication produit en relation avec ce document doit comporter une version en anglais.</p>	<p>Questo documento è stato preparato e redatto in lingua inglese. In caso di traduzione in altre lingue, nell'eventualità sorgano conflitti fra la versione non inglese e quella inglese, prevale quest'ultima in quanto viene riconosciuto e accettato che la versione in lingua inglese esprime più chiaramente gli accordi fra le parti. Qualsiasi notifica o comunicazione inviata in rapporto a questo documento deve includere una versione in lingua inglese.</p>	<p>Dieses Dokument wurde in englischer Sprache erstellt und ausgearbeitet. Wenn dieses Dokument in eine andere Sprache übersetzt wird, und ein Konflikt zwischen der englischen und nicht-englischen Fassung auftritt, hat die englische Fassung Vorrang, da die Parteien anerkennen, dass die Fassung in englischer Sprache ihren Absichten am deutlichsten Ausdruck verleiht. Alle Hinweise oder Mitteilungen in Zusammenhang mit diesem Dokument müssen auch in einer Fassung in englischer Sprache erfolgen.</p>
<p>Originalmente, este documento se creó y redactó en inglés. En caso de que se traduzca a otro idioma y surja un conflicto entre la versión en inglés y la versión en otro idioma, prevalecerá la versión en inglés. Se reconoce y admite que, en la versión en inglés, expresa la intención de las partes con más claridad. Cualquier aviso o comunicación proporcionada en relación con este documento debe incluir una versión en inglés.</p>	<p>Este documento se preparó y redactó en inglés. En caso de que se traduzca a otro idioma y surja algún conflicto entre la versión en inglés y la del idioma extranjero, prevalecerá la versión en inglés, dado que se reconoce y admite que la versión en inglés expresa más claramente la intención de las partes. Cualquier aviso o comunicación proporcionada en relación con este documento deberá incluir una versión en inglés.</p>	<p>Este documento foi preparado e feito em língua inglesa. Se este documento for traduzido para outro idioma e surgirem conflitos entre a versão em inglês e a versão no outro idioma, a versão em inglês prevalecerá, sendo reconhecido e atestado que a versão em língua inglesa expressa mais claramente a intenção das partes. Qualquer comunicação ou aviso relacionado a este documento deve conter a versão em inglês.</p>	<p>本文件以英文撰寫。如果本文件的其他語言版本與英文版本存在衝突，則以英文版本為準。各方一致認可和同意英文版本最清楚地表達了各自的意圖。任何與本文件相關的聲明或溝通，都應包括英文版本。</p>	<p>本文件的原稿是以英文撰寫。如果本文件翻譯為其他語言，而英文版和非英文版之間產生衝突，應以英文版為準。並且各方一致認同並確認英文版最能夠清楚地表達各方的意圖。凡是所有與本文件有關之公告或通訊，都必須包含英文的版本。</p>
<p>本書は英語で作成され発行されています。本書を他の言語に翻訳し、英語版と英語以外の版に矛盾が生じた場合は、関係者の意図を最も明確に表すものが英語版であることを認識および承認し、英語版が優先するものとします。さらに、本書に関連して与えられる告知や通知は、すべて英語版を含むものとします。</p>	<p>본 문서는 영어로 준비되어 작성된 것입니다. 본 문서를 다른 언어로 번역했는데 영문본과 번역본 사이에 상충하는 부분이 발생 한 경우에는 영문본이 우선하며, 영문본이 압록 당사자의 의 도를 가장 명확하게 표현하고 있음을 인식하고 확인합니다. 본 문서와 관련한 모든 고지 또는 전달 사항에는 영문본이 동봉되 어야 합니다.</p>	<p>Данный документ был подготовлен и выполнен на английском языке. При переводе данного документа на другой язык, в случае возникновения противоречий между английской версией и версией на другом языке, английская версия имеет преимущественную силу. Данным признается, что версия документа на английском языке наиболее четко выражает намерения сторон. Любые уведомления или письма, направляемые в связи с данным документом, должны включать в себя версию на английском языке.</p>	<p>מסמך זה נערך והופק בשפה האנגלית. במקרה שמסמך זה יתורגם לשפה אחרת ותתגלה סתירה בין משמעות הגרסה באנגלית והגרסה המתורגמת, הגרסה באנגלית תהיה הגרסה הקובעת. מוסכם על הצדדים כי הגרסה בשפה האנגלית מבטאת באופן הבירור ביותר את כוונת הצדדים. כל הודעה שונמסר בהקשר למסמך זה חייבת לכלול את הגרסה בשפה האנגלית.</p>	<p>تم إعداد هذا المستند وتنفيذه باللغة الإنجليزية. إذا ثبت ترجمة هذا المستند إلى لغات أخرى وكان هناك اختلاف بين الإصدار الإنجليزي وإصدار آخر، فمفروض الالتزام بما جاء في الإصدار الإنجليزي. حيث إن الإصدار الإنجليزي هو الذي يهيئ بوضوح وسراحة عن أية الأطراف. يجب أن تشمل أية إشارات أو الاتصالات ذات صلة بهذا المستند على إصدار باللغة الإنجليزية.</p>

<p>For warranty information, go to www.honeywellaidc.com and click Resources > Warranty.</p>	<p>Pour obtenir des informations sur la garantie, consultez le site www.honeywellaidc.com et cliquez sur Ressources > Garantie.</p>	<p>Per informazioni sulla garanzia, andare a www.honeywellaidc.com e fare clic su Resources > Warranty.</p>	<p>Die Garantiebestimmungen finden Sie unter www.honeywellaidc.com. Klicken Sie dort auf Ressourcen > Garantie.</p>	<p>Para obtener información sobre la garantía, visite www.honeywellaidc.com y haga clic en Recursos > Garantía.</p>
<p>Para obtener información sobre la garantía, visite www.honeywellaidc.com y haga clic en Recursos > Garantía.</p>	<p>Para obter informações sobre a garantia, vá para www.honeywellaidc.com e clique em Recursos (Recursos) > Warranty (Garantia).</p>	<p>欲了解保修信息，请访问 www.honeywellaidc.com，单击 Resources (资源) > Warranty (保修)。</p>	<p>如需檢視保固資訊，請瀏覽 www.honeywellaidc.com，然後按一下 Resources > Warranty。</p>	<p>保証については、www.honeywellaidc.comにて、Resources > Warrantyとクリックしてください。</p>
<p>보충 정보를 보려면 www.honeywellaidc.com 으로 이동하여 Resources > Warranty 를 클릭하십시오 .</p>	<p>Подробную информацию о гарантии см. на сайте www.honeywellaidc.com в разделе Resources > Warranty.</p>	<p>Informace o záruce naleznete na stránce www.honeywellaidc.com po kliknutí na Resources > Warranty.</p>	<p>Ak chcete získať informácie o záruke, prejdite na stránku www.honeywellaidc.com a kliknite na Resources (Zdroje) > Warranty (Záruka).</p>	<p>Aby uzyskać informacje na temat gwarancji, wejdź na stronę www.honeywellaidc.com i kliknij Zasoby > Gwarancja.</p>
<p>Garanti bilgileri için www.honeywellaidc.com adresine gidin ve Kaynaklar > Garanti öğelerini tıklayın.</p>	<p>למידע אודות האחריות, אג פנו לתוכנת www.honeywellaidc.com והקליקו Resources > Warranty.</p>	<p>للحصول على معلومات بشأن الضمان، تفضل بزيارة www.honeywellaidc.com والنقر فوق الضمان > الموارد.</p>		

Manufacturer Contact Information:
 Honeywell International Inc.
 Honeywell Sensing & Productivity Solutions
 9680 Old Bailes Road
 Fort Mill, SC 29707 USA

Honeywell
9680 Old Bailes Road
Fort Mill, SC 29707

www.honeywellaidc.com